

FEATURES

- The normally closed petrol dispensing valves are especially designed to meet the particular needs for the fuel dispensers
- The high quality polyphenylene sulfide piston guarantees a long operating life and a wide temperature range. Hydrocarbon resistant FPM seal material for tight shut off
- Choice of explosion proof operators, intended for use in potentially explosive atmospheres, according to Directive ATEX 94/9/EC
- Solenoid ingress protection degree \geq IP65
- ASCO Numatics components satisfy all relevant EC directives

GENERAL

Differential pressure 0,3 - 3,5 bar [1 bar = 100kPa]
Ambient temperature range -40 to +70°C

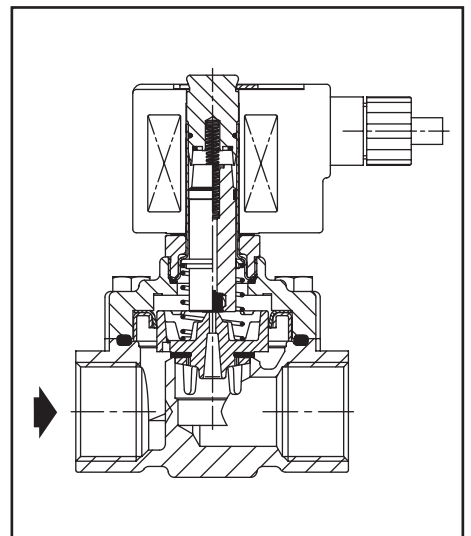
fluids (*)	temperature range (TS)	seal materials (*)
Petrol & Liquid fuels	-40 to +70°C	FPM (fluoroelastomer) / VMQ (silicone)



MATERIALS IN CONTACT WITH FLUID

(*) Ensure that the compatibility of the fluids in contact with the materials is verified

Body	Brass
Bonnet	Brass
Core tube	Stainless steel
Core and plugnut	Stainless steel
Core disc	FPM
Core guide	POM
Rider ring	PTFE
Springs	Stainless steel
Sealing	FPM / VMQ
Piston	PPS
Piston disc	FPM
Lip seal	PTFE
Piston support	Brass



ELECTRICAL CHARACTERISTICS

Coil insulation class F
Electrical safety IEC 335
Standard voltages DC (=) 24V - 48V

prefix option	power ratings		operator ambient temperature range (TS) (C°)	safety code	electrical enclosure protection (EN 60529)	replacement coil		type ⁽¹⁾
	holding ~ (W)	hot/cold = (W)				~ 230V/50/60 Hz	= 24V/DC	
	PV	-				9,0 / 11,2	-40 to +65	
ZN	-	9,0 / 11,2	-20 to +50	II 3 G EEx nA II T3	moulded IP65	-	(2)	02
EF	-	9,0 / 11,2	-40 to +55	NEMA type 7 and 9	Nema 4X	-	238714-006D	03
SC	-	9,0 / 11,2	-40 to +55	EN 60730	moulded IP65	-	400425-142	04

⁽¹⁾ Refer to the dimensional drawings on page 6

⁽²⁾ Multiple coils kits available under ATEX, contact us
- Not available

SPECIFICATIONS

pipe size	orifice size (mm)	flow coefficient Kv (m³/h) (l/min)		operating pressure differential (bar) min max. PS =		prefix optional solenoids *						basic catalogue number
						NEMA 7&9	ATEX / IECEx				IP65	
							Ex d	Ex e mb	Ex mb	EEx nA		
G	(mm)	(m³/h)	(l/min)			EF ⁽¹⁾	NF	EM	PV	ZN	SC	
NC - Normally closed												
3/4	20	3,9	65	0,3	3,5	●	-	-	●	●	●	G291A110

● Available feature - Not available

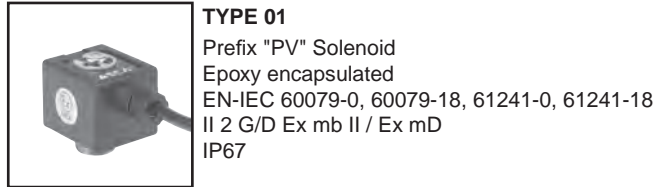
* For description of solenoids see page 31-40

⁽¹⁾ Prefix EF should always be used in conjunction with change letter G in the basic number

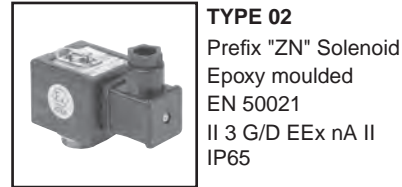
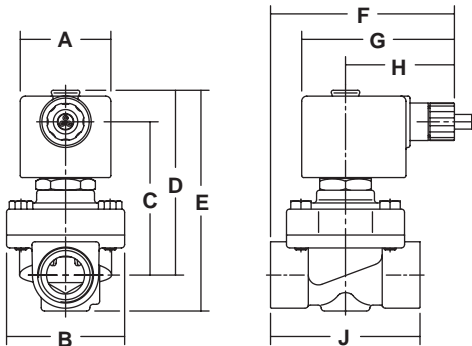
INSTALLATION

- The valves can be mounted in any position without affecting operation
- Pipe connection identifier is: G = pipe thread according to ISO 228/1
- Installation/maintenance instructions are included with each valve
- PV solenoids have a standard cable length of 2 meters. Other lengths in full meters are available on request
- SC/ZN solenoids are supplied with ISO 4400 spade plug connectors (cable Ø 6-10 mm)

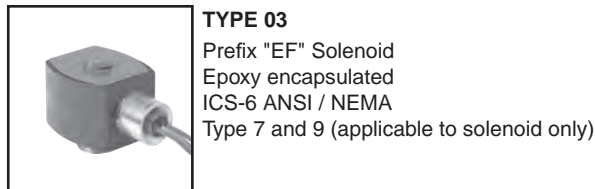
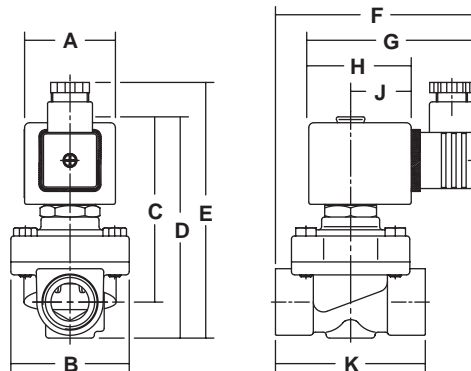
DIMENSIONS (mm), WEIGHT (kg)



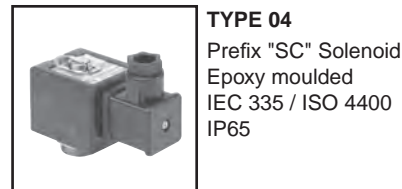
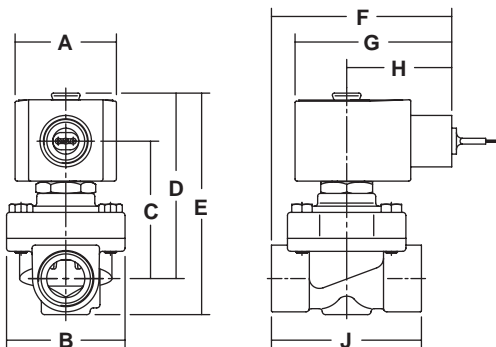
G291A110



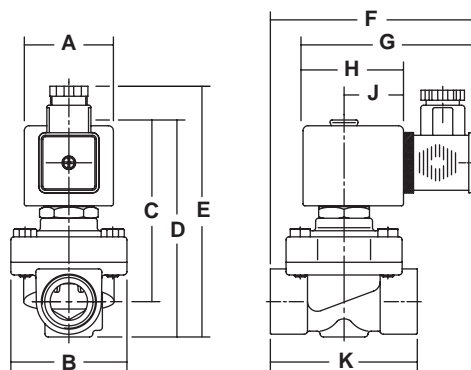
G291A110



G291G110



G291A110



type	AC/DC	prefix option	catalogue number	spare parts kits	A	B	C	D	E	F	G	H	J	K	weight
01	=	PV	G291A110	PVC117690	45	58	75	91	108	90	75	54	73	-	1,2 kg
02	=	ZN	G291A110	ZNC117690	45	58	91	108	125	98	82	50	30	73	1,1 kg
03	=	EF	G291G110	EFC117690	50	58	67	91	108	88	77	51	73	-	1,3 Kg
04	=	SC	G291A110	C117690	45	58	91	108	125	102	85	50	30	73	1,1 Kg