

FEATURES

- Brass bodied 4/2 slide disc valves, single or dual solenoid, ideally suited to control double acting pneumatic actuators
- Solenoid valves with integrated pilot and slide disc mechanism
- Direct lift solenoid valves have spring loaded sliding resilient for absolute tight shut-off
- The solenoid valves do not require a minimum operating pressure
- The solenoid valves satisfy all relevant EC Directives

GENERAL

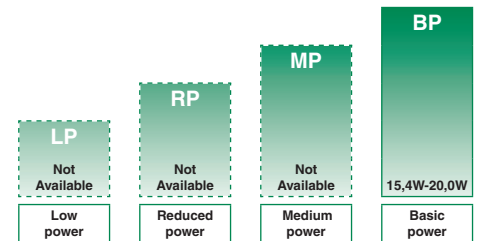
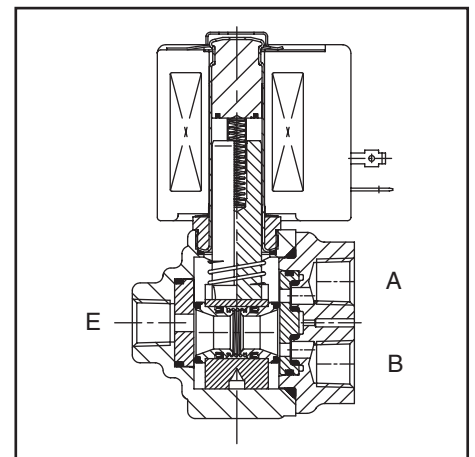
Differential pressure 0 - 9 bar [1 bar = 100kPa]
Maximum viscosity 65cST (mm²/s)
Response times 20 - 40 ms

fluids (*)	temperature range (TS)	seal materials (*)
air, inert gas, water, oil	-20 to + 70°C	NBR (nitrile)

MATERIALS IN CONTACT WITH FLUID

(*) Ensure that the compatibility of the fluids in contact with the materials is verified

	Brass body	Stainless steel body
Body and seat	Brass	AISI 303 SS
Core tube	Stainless steel	Stainless steel
Core and plugnut	Stainless steel	Stainless steel
Core spring	Stainless steel	Stainless steel
Sealing	NBR	NBR
Seat	reinforced PTFE	reinforced PTFE
Slide	PA	PA
Discs	NBR	NBR
Slide cups	FPM	FPM
Shading coil	Copper	Copper



POWER LEVELS - cold electrical holding values (watt)

SPECIFICATIONS

pipe size	orifice size	flow coefficient Kv ⁽¹⁾		operating pressure differential (bar)			power level (watt)	prefix optional solenoids					basic catalogue number	
				min.	max. (PS)			NEMA 7&9	ATEX / IECEx			IP65		
					air (*)				Ex d	Ex e mb	Ex mb			
NPT	(mm)	(m ³ /h)	(l/m)	~	=	~	EF	NF	EM	PV	SC	brass	stainless steel	
Single solenoid														
1/4	4,8	0,6	7,5	0	9,0 ⁽²⁾	-	20,0	-	●	-	-	●	B342C001	B342-701
3/8	4,8	0,6	7,5	0	9,0 ⁽²⁾	-	20,0	-	●	-	-	●	B342C003	B342-703
Dual solenoid														
1/4	4,8	0,6	7,5	0	9,0	-	15,4	-	●	-	-	●	B342C020	B342-720
3/8	4,8	0,6	7,5	0	9,0	-	15,4	-	●	-	-	●	B342C022	B342-722

● Available feature ⁽¹⁾ With built-in flow control (suffix M); The flow is 0,38 (m³/h) / 6,3 (l/min) and 0,03 bar minimum operating pressure is required
 - Not available ⁽²⁾ Single solenoid 7 bar on water

All leaflets are available on: www.asco.com

PREFIX TABLE

prefix							description	power level			
1	2	3	4	5	6	7		LP	RP	MP	BP
N	F	E	T				Threaded conduit/hole (M20 x 1,5)	-	-	-	●
S	C						Flameproof - Aluminium (EN/IEC 60079-1, 60079-31)*	-	-	-	●
W	P						Solenoid with spade plug connector (EN/IEC 60730)	-	-	-	●
W	S						Waterproof IP67 - Metal enclosure	-	-	-	●
W	S	N	F				Waterproof IP67 - 316 SS enclosure	-	-	-	●
		T					Flameproof - 316L SS (EN/IEC 60079-1, 60079-31)*	-	-	-	●
				H	C		Threaded conduit (1/2" NPT)	-	-	-	●
				H	T		Class H - Battery charging circuit	-	-	-	●
						X	Class H - High temperature	-	-	-	●
							Other special constructions	-	-	-	●

SUFFIX TABLE

suffix					description	power level			
1	2	3	4	5		LP	RP	MP	BP
			M	O	Metering device	-	-	-	●
					Push type manual operator	-	-	-	●

- Available feature
- Available feature in DC only
- Not available
- * ATEX/IECEx valves using these solenoids are approved according to EN 13463-1 (non electrical)

PRODUCT SELECTION GUIDE

STEP 1

Select basic catalogue number, including pipe thread identification letter. Refer to the specifications table on page 1.

Example: B342C001

STEP 2

Select prefix (combination). Refer to the specifications table on page 1 and the prefix table on page 2, respect the indicated power level.

Example: NFET

STEP 3

Select suffix (combination) if required. Refer to the suffix table on page 2, respect the indicated power level.

Example: MS

STEP 4

Select voltage. Refer to standard voltages on page 3.

Example: 24V / 50Hz

STEP 5

Final catalogue / ordering number.

Example:

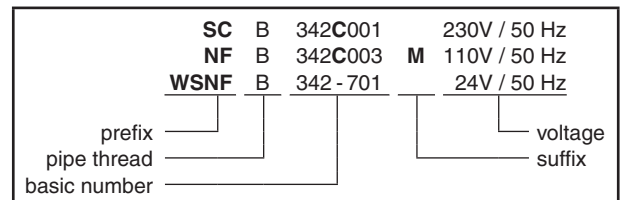
NFET B342C001 MS 24V / 50 Hz

OPTIONS & ACCESSORIES

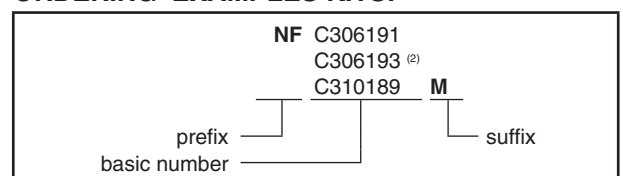
catalogue number	spare part kit no. ⁽¹⁾	mounting bracket no.
	~ / =	
B342C001	C306191	■
B342C003	C306191	■
B342C020	C306193	■
B342C022	C306193	■
B342-701	C310189	■
B342-703	C310189	■
B342-720	C310191	■
B342-722	C310191	■

- ⁽¹⁾ Standard prefixes/suffixes are also applicable to kits
- Mounting holes in body

ORDERING EXAMPLES VALVES:



ORDERING EXAMPLES KITS:



- ⁽²⁾ Basic kit number applies to SC coil construction

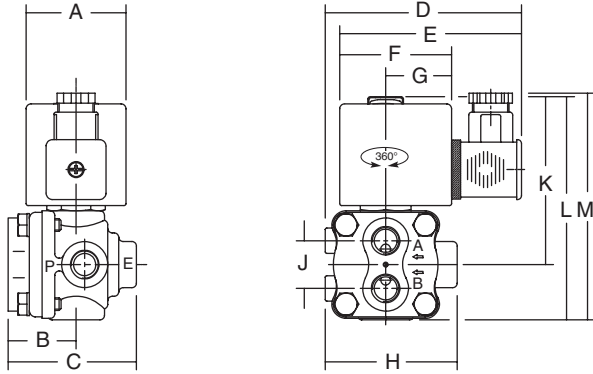
All leaflets are available on: www.asco.com

DIMENSIONS (mm), WEIGHT (kg)



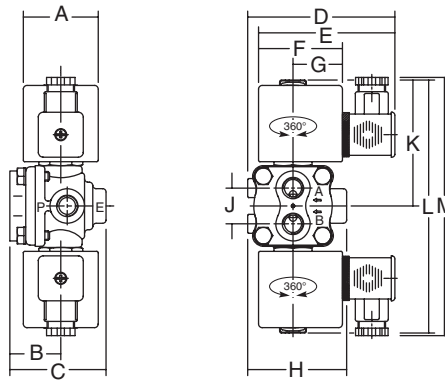
TYPE 01:
Epoxy moulded
SC: IEC 335 / ISO 4400

342 C001 / C003 / -701 / -703



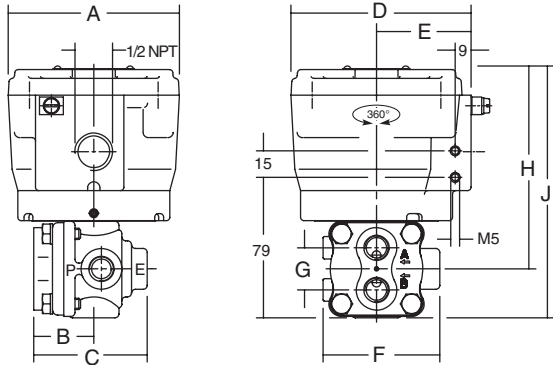
TYPE 02:
Epoxy moulded
SC: IEC 335 / ISO 4400

342 C020 / C022 / -720 / -722



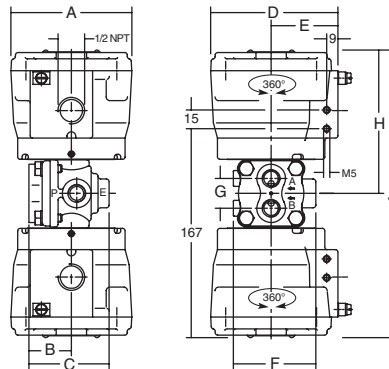
TYPE 03:
Aluminium, epoxy coated / AISI 316L SS
NF / WSNF : EN/IEC 60079-1, EN/IEC 60079-31

342 C001 / C003 / -701 / -703



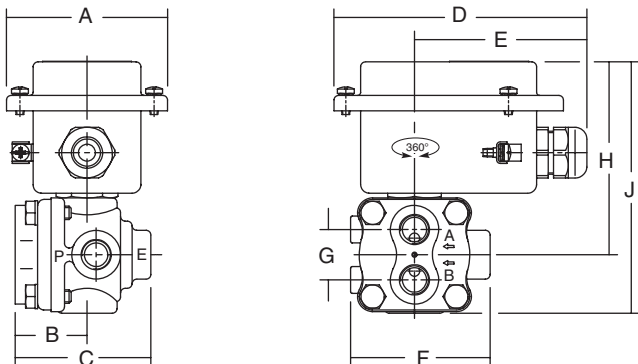
TYPE 04:
Aluminium, epoxy coated / AISI 316L SS
NF / WSNF : EN/IEC 60079-1, EN/IEC 60079-31

342 C020 / C022 / -720 / -722



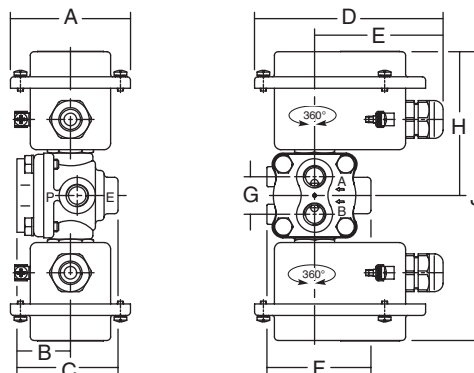
TYPE 05:
Metal, epoxy coated / AISI 316 SS
WP / WS: IEC 335

342 C001 / C003 / -701 / -703



TYPE 06:
Metal, epoxy coated / AISI 316 SS
WP / WS: IEC 335

342 C020 / C022 / -720 / -722



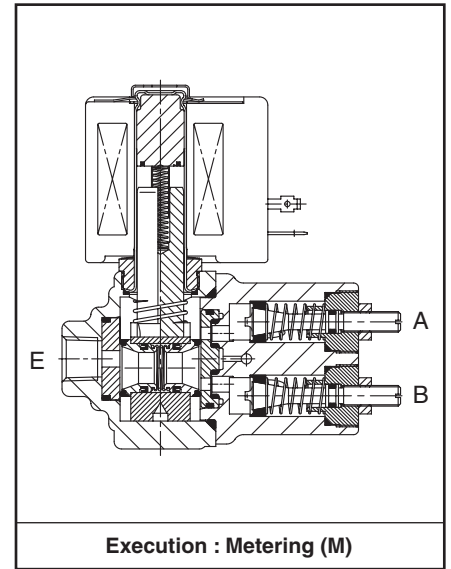
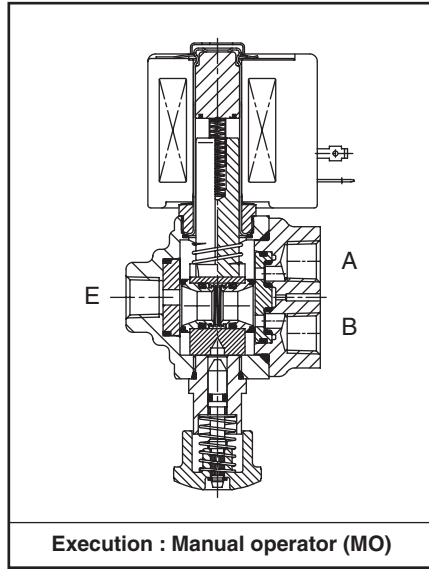
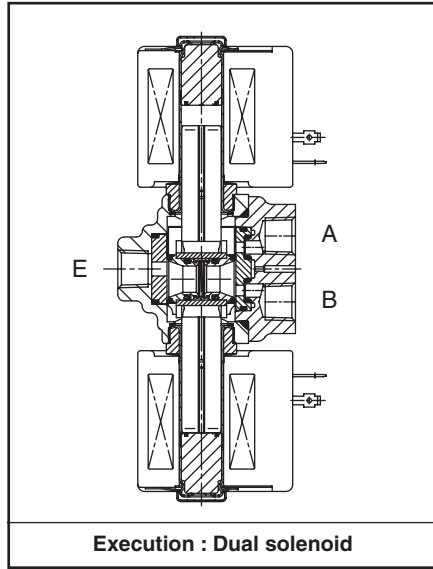
All leaflets are available on: www.asco.com

DIMENSIONS (mm), WEIGHT (kg)



type	prefix/option	power level	A	B	C	D	E	F	G	H	J	K	L	M	weight
01	SC	BP	50	33	64	97	91	56	33	66	24	84	112	115	1,40 kg
02	SC	BP	50	33	64	97	91	56	33	66	24	84	112	115	1,80 kg
03	NF, WSNF	BP	95	33	64	102	54	66	24	112	137	-	-	-	2,40 kg
04	NF, WSNF	BP	95	33	64	102	54	66	24	112	222	-	-	-	3,80 kg
05	WP, WS	BP	75	33	64	122	84	66	24	89	116	-	-	-	1,50 kg
06	PV	BP	75	33	64	122	84	66	24	89	178	-	-	-	2,00 kg

SECTIONAL DRAWING



MOUNTING CONFIGURATION

