

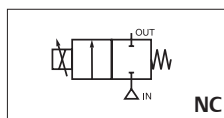
ASCO™ Solenoid Valves

proportional direct operated for vapour recovery regulating applications, 1/4

2/2
SERIES
291

Features

- The proportional solenoid valves can handle a variable flow of fuel vapour, proportional to the control signal
- The high quality ETFE disc core construction guarantees a long operating life and a wide temperature range
- Explosion proof operator, intended for use in potentially explosive areas, according to Directive ATEX 2014/34/EU
- Easy electrical installation by means of the moulded-in supply cable, standard length of 3 meter
- ASCO™ components satisfy all relevant EC directives



General

Differential pressure 0 - 1 bar [1 bar = 100kPa]
Ambient temperature range -40 to +65°C

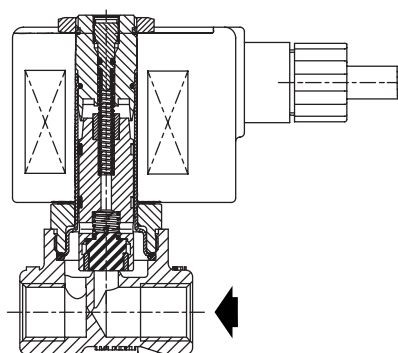


fluids (*)	temperature range (TS)	seal materials (*)
Fuel vapour	-40 to +65°C	FPM (fluoroelastomer)/ ETFE (ethylene tetrafluoroethylene)

Materials in contact with fluid

(*) Ensure that the compatibility of the fluids in contact with the materials is verified

Body	Brass
Core tube	Stainless steel
Core and plugnut	Stainless steel
Core disc seal	ETFE
Rider ring	PTFE
Springs	Stainless steel
Lip seal	PTFE
Seat	Brass
Breaker piece	Stainless steel



Electrical Characteristics

Coil insulation class F
Electrical safety IEC 335
Standard voltages DC (=) 24V - 48V

prefix option	power ratings		operator ambient temperature range (TS) (C°)	safety code	electrical enclosure protection (EN 60529)	replacement coil		type ⁽¹⁾
	holding ~	hot/cold =				~	=	
	(W)	(W)				230V/50/60 Hz	24V/DC	
PV	-	6,0 / 5,0	-40 to +65	II2G Ex eb IIC Gb T4, II2D Ex tb IIIC Db	moulded IP67	-	⁽²⁾	01

- ⁽¹⁾ Refer to the dimensional drawings on page 18
⁽²⁾ Multiple coils kits available under ATEX, contact us
- Not available

Specifications

pipe size	orifice size	flow coefficient Kv (m ³ /h) (l/min)		operating pressure differential (bar) min max. PS =		prefix optional solenoids *						basic catalogue number
						NEMA 7&9		ATEX / IECEx			IP65	
						EF	NF	EM	PV	ZN		
NC - Normally closed												
1/4	5,6	0,73	12,2	0	1	-	-	-	●	-	-	G291B210

- Available feature
- Not available

Installation

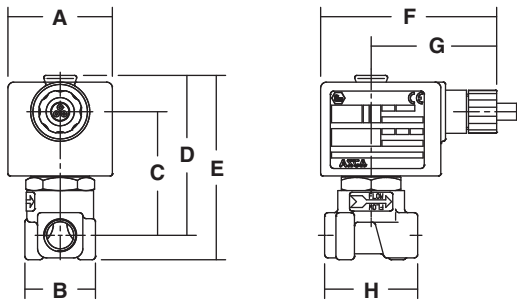
- The valves can be mounted in any position without affecting operation.
- Pipe connection identifiers: G = pipe thread according to ISO 228/1
- Installation/maintenance instructions are included with each valve.
- PV solenoids have a standard cable length of 3 meters. Other lengths in full meters are available on request

Dimensions (mm), Weight (kg)



TYPE 01
Prefix "PV" Solenoid
Epoxy encapsulated
II2G Ex eb IIC Gb T4, II2D Ex tb IIIC Db
IP67

G291A210



type	AC/DC	prefix option	catalogue number	spare parts kits	A	B	C	D	E	F	G	H	J	weight
01	=	PV	G291B210	PVC117692	45	30	53	68	79	75	54	40	-	0,45 Kg