

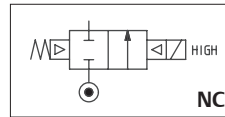
ASCO™ Solenoid Valves

high pressure, single flow pilot operated for LPG applications, 3/4

2/2
SERIES
291

Features

- The normally closed LPG valves are especially designed to meet the particular heavy duty requirements of LPG applications
- Single flow execution for self service systems
- Explosion proof operator, intended for use in potentially explosive areas, according to Directive 2014/34/EU
- Easy electrical installation by means of the moulded-in supply cable, standard length of 2 meter
- ASCO™ components satisfy all relevant EC directives



General

Differential pressure 0,7 - 25 bar [1 bar = 100kPa]
Ambient temperature range -20 to +60°C (FPM execution)
 -40 to +60°C (PTFE execution)

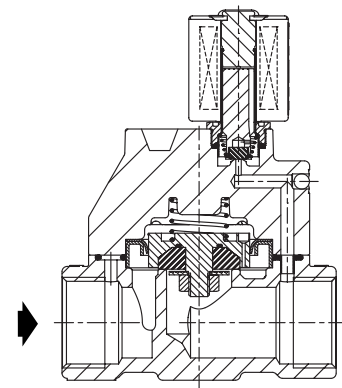
fluids (*)	temperature range (TS)	seal materials (*)
LPG / Liquid	-20 to +60°C	FPM (fluoroelastomer) / VMQ (silicone)
LPG / Liquid	-40 to +60°C	PTFE (**)



Materials in contact with fluid

(*) Ensure that the compatibility of the fluids in contact with the materials is verified
 (***) Specify suffix T behind catalogue number for the PTFE execution

Body & Bonnet Brass
Core tube Stainless steel
Core and plugnut Stainless steel
Piston Stainless steel
Core & Piston disc FPM or PTFE
Springs Stainless steel



Electrical Characteristics

Coil insulation class F
Electrical safety IEC 335
Standard voltages DC (=) 24V - 48V;
 AC (~) 24V - 48V - 115V - 230V / 50 Hz

prefix option	power ratings		operator ambient temperature range (TS)	safety code	electrical enclosure protection (EN 60529)	replacement coil		type ⁽¹⁾
	holding ~	hot/cold =				~	=	
	(W)	(W)				230V/50/60 Hz	24V/DC	
PV	10,5	-	-40 to +65	I12G Ex mb IIC Gb T3, I12D Ex mb IIIC Db	moulded IP67	⁽²⁾	⁽²⁾	01

⁽¹⁾ Refer to the dimensional drawings on page 22
⁽²⁾ Multiple coils kits available under ATEX, contact us
 - Not available

Specifications

pipe size	orifice size	flow coefficient Kv		operating pressure differential (bar)			prefix optional solenoids				basic catalogue number	
							NEMA 7&9	ATEX / IECEx				IP65
								Ex db	Ex eb mb	Ex mb		
G	(mm)	(m³/h)	(l/min)	min	max. PS ~	=	EF	NF	EM	PV	SC	
NC - Normally closed												
3/4	19	4,0	66,7	0,7	25	17	-	-	-	●	-	G291A330

● Available feature
 - Not available

Installation

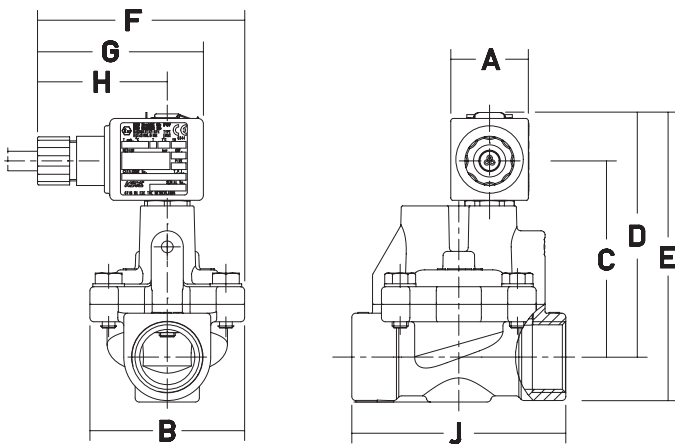
- The valves can be mounted in any position without affecting operation
- Pipe connection identifiers: G = pipe thread according to ISO 228/1
- Installation/maintenance instructions are included with each valve
- PV solenoids have a standard cable length of 2 meters. Other lengths in full meters are available on request

Dimensions (mm), Weight (kg)



TYPE 01
 Prefix "PV" Solenoid
 Epoxy encapsulated
 II2G Ex mb IIC Gb T3, II2D Ex mb IIIC Db
 IP67

G291A330



type	AC/DC	prefix option	catalogue number	spare parts kit	A	B	C	D	E	F	G	H	J	weight
01	~/=	PV	G291A330	-	29	58	73	92	108	76	61	47	80	1,0 Kg

02009GB [X020] 2019/R01 -- Availability, design and specifications are subject to change without notice. All rights reserved.