

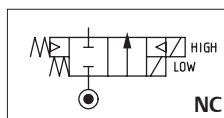
ASCO™ Solenoid Valves

high pressure, dual flow pilot operated for LPG applications, 3/4

2/2
SERIES
291

Features

- The normally closed LPG valves are especially designed to meet the particular heavy duty requirements of LPG applications
- Dual flow execution, for use in prepaid systems
- Explosion proof operator, intended for use in potentially explosive areas, according to Directive ATEX 2014/34/EU
- Easy electrical installation by means of the moulded-in supply cables, standard length of 2 meter
- ASCO™ components satisfy all relevant EC directives



General

Differential pressure 0,7 - 25 bar [1 bar = 100kPa]
Ambient temperature range -20 to +60°C (FPM execution)
-40 to +60°C (PTFE execution)

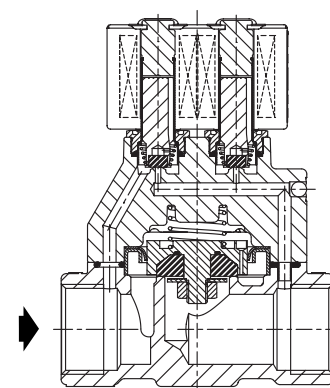
fluids (*)	temperature range (TS)	seal materials (*)
LPG / Liquid	-20 to +60°C	FPM (fluoroelastomer)
LPG / Liquid	-40 to +60°C	PTFE (**)



Materials in contact with fluid

(*) Ensure that the compatibility of the fluids in contact with the materials is verified
(**) Specify suffix T behind catalogue number for the PTFE execution

Body	Brass
Core tube	Stainless steel
Core and plugnut	Stainless steel
Core disc	FPM or PTFE
Piston	Stainless steel
Springs	Stainless steel



Electrical Characteristics

Coil insulation class F
Electrical safety IEC 335
Standard voltages DC (=) 24V - 48V;
AC (~): 24V - 48V - 115V - 230V / 50 Hz

prefix option	power ratings		operator ambient temperature range (TS)	safety code	electrical enclosure protection (EN 60529)	replacement coil		type ⁽¹⁾
	holding ~	hot/cold =				~	=	
	(W)	(W)				230V/50/60 Hz	24V/DC	
PV	10,5	-	-40 to +65	II2G Ex mb IIC Gb T3, II2D Ex mb IIIC Db	moulded IP67	⁽²⁾	⁽²⁾	01

⁽¹⁾ Refer to the dimensional drawings on page 26
⁽²⁾ Multiple coils kits available under ATEX, contact us
- Not available

Specifications

pipe size	orifice size		flow coefficient Kv				operating pressure differential (bar)			prefix optional solenoids				basic catalogue number		
	Low	High	Low		High		min	max. PS		NEMA 7&9	ATEX / IECEx				IP65	
			(mm)	(mm)	(m³/h)	(l/min)		(m³/h)	(l/min)		~	=	EF			Ex db
G	(mm)	(mm)	(m³/h)	(l/min)	(m³/h)	(l/min)										
NC - Normally closed																
3/4	1,6	19	0,08	1,3	4,0	66,7	0,7	25	17	-	-	-	●	-	-	G291A331

● Available feature
- Not available

Installation

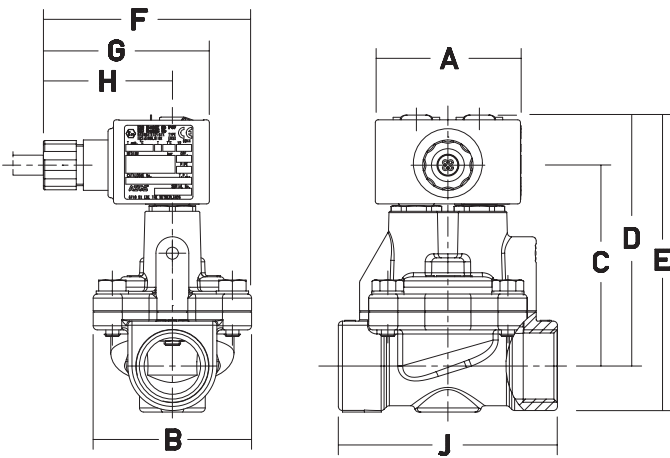
- The valves can be mounted in any position without affecting operation
- Pipe connection identifiers: G = pipe thread according to ISO 228/1
- Installation/maintenance instructions are included with each valve
- PV solenoids have a standard cable length of 2 meters. Other lengths in full meters are available on request

Dimensions (mm), Weight (kg)



TYPE 01:
 Prefix "PV" Solenoid
 Epoxy encapsulated
 III2G Ex mb IIC Gb T3, II2D Ex mb IIIC Db
 IP67

G291A331



type	AC/DC	prefix option	catalogue number	spare parts kit	A	B	C	D	E	F	G	H	J	weight
01	~/=	PV	G291A331	-	53	58	73	92	108	76	61	47	80	1,2 Kg

02011GB [X020] 2019/R01 -- Availability, design and specifications are subject to change without notice. All rights reserved.