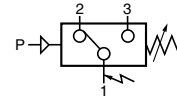


# ADJUSTABLE PRESSURE SWITCH

**JOUCOMATIC**

with or without protection and status indicators  
G 1/4 or subbase mounted body



Series  
**349**

## GENERAL

### PROTECTION

### AND STATUS INDICATORS

	WITH	WITHOUT
FLUID	: air ou gaz neutre, filtré, lubrifié ou non	
PRESSURE SETTING	: 0,5 to 10 bar (0,2 - 6 bar on request)	
HYSTERESIS	: 0,4 bar at the beginning of adjustment range 1 bar at the end of adjustment range	

MAX. PRESSURE (PMA)	: 10 bar or 16 bar	
OPERATING TEMPERATURE	: -10°C; +60°C	: 0°C, +60°C
MAX. VOLTAGE	: 250 V - CA/CC	: 24 Volts-courant continu
CURRENT BREAKING CAPACITY	: 5A - 250V resistive	: 2A - 24Vcc resistive
PROTECTION DEGREE	: IP65	
MOUNTING POSITIONS	: all positions	
MAX. SPEED	: 60 cycles per minute	

## CONSTRUCTION

Grivory (PA61/XT) body / aluminium body for 16 bar version

Nitrile (NBR) sealings

Commutator (reversing switch) •at rest : contact 1 - 2 made  
•at work : contact 1 - 3 made

Mechanical service life : 5.10<sup>6</sup> contacts

Pressure set by set screw and lock-nut

## SPECIFICATIONS

Type	Designation	Pressure setting (bar)	catalogue number	
			Without protection	With protection
	Adjustable pressure switch with side pneumatic connection, <b>tapped</b> G1/4	0,2 - 6	<b>34900015</b>	<b>34900016</b>
		0,5 - 10	<b>34900018</b>	<b>34900019</b>
		0,5 - 16	<b>34900021</b>	<b>34900022</b>
	Adjustable pressure switch with <b>subbase mounted</b> pneumatic connection (version adaptable on FRL, see P710)	0,2 - 6	<b>34900027</b>	<b>34900028</b>
		0,5 - 10	<b>34900030</b>	<b>34900031</b>
		0,5 - 16	<b>34900033</b>	<b>34900034</b>

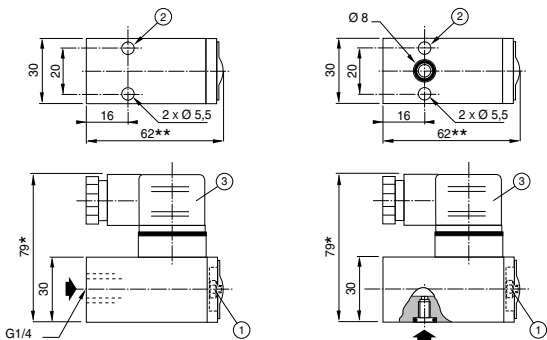
## DIMENSIONS AND WEIGHT

Weight : 110 g

Version **without** protection and status indicators

**Tapped**

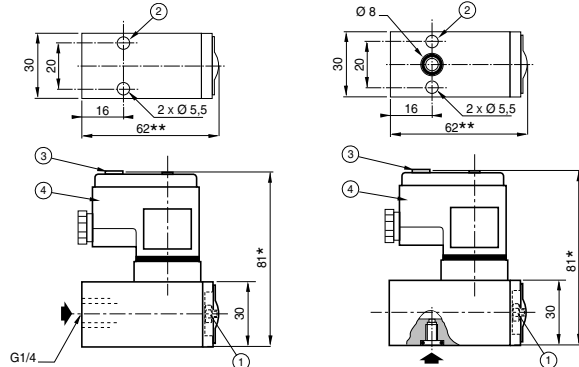
**subbase mounted**



Version **with** protection and status indicators

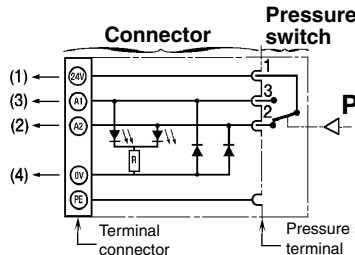
**Tapped**

**subbase mounted**



- ① Pressure set screw (spanner for hexagon nuts : 3 mm)
- ② 2 holes Ø 5,5 for mounting
- ③ ISO4400 size 30 connector, 4 terminals, rotatable by 90°
- \* + 15 mm for connector clearance
- \*\* + 2 mm for 0,5 - 16 bar version

## ELECTRICAL DIAGRAM



**Status indicated by two diodes :**

- at rest : contact 1-2 made : orange diode lights
- at work : contact 1-3 made : red diode lights

Terminal connection for 1,5 mm<sup>2</sup> wire  
Integrated interference blanking

- ① Pressure set screw (spanner for hexagon nuts : 3 mm)
- ② 2 holes Ø 5,5 for mounting
- ③ Identification label holder
- ④ ISO 4400 size 30 connector, 4 terminals (**not rotatable**)
- \* +15 mm for connector clearance
- \*\* + 2 mm for 0,5 - 16 bar version

All leaflets are available on: [www.asconumatics.eu](http://www.asconumatics.eu)

00224GB-2010/R01  
Availability, design and specifications are subject to change without notice. All rights reserved.



青岛秉诚自动化设备有限公司  
地址：中国·青岛市重庆南路99号海尔云街甲3号楼7F

服务热线：4006-918-365  
网址：<http://www.asco.store>

传真：(86-532)585-10-365  
Email：[sales@bechinas.com](mailto:sales@bechinas.com)

P918-1

J