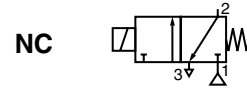




SOLENOID VALVE

direct operated, quick switching
threaded or screw-in type body
M5

3/2
Series
S



FEATURES

- Miniature solenoid valves for medical and gas analysers and leak detectors
- Suitable for the control of gases
- Short response times
- Compact size for easy integration into systems
- Available in a variety of versions for a wide range of applications: threaded or screw-in type valve bodies for installation on multiple manifolds
- Approved to UL standards
- Vacuum application up to -0.9 bar

GENERAL

Differential pressure See "SPECIFICATIONS" [1 bar = 100 kPa]
Response time < 10 ms

fluids (*)	temperature range (TS)	seal materials (*)
air, inert gases (filtered 10 µm)	0 °C to +60 °C	FPM (fluoroelastomer)

MATERIALS IN CONTACT WITH FLUID

(*) Ensure that the compatibility of the fluids in contact with the materials is verified

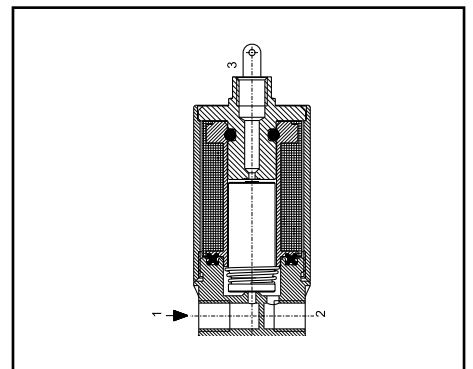
Body Stainless steel
Internal parts Stainless steel
Seals FPM (fluoroelastomer) [EPDM (ethylene-propylene), contact us]

ELECTRICAL CHARACTERISTICS

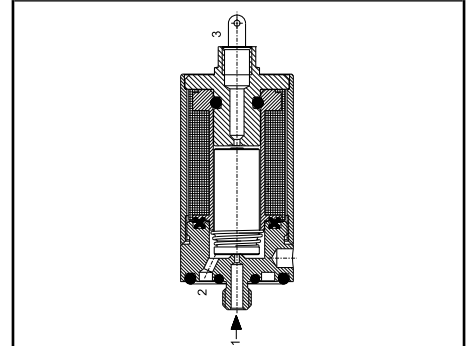
Coil insulation class B
Connection Spade plug or cable ends AWG 20, length 300 mm
Electrical safety IEC 335
Electrical enclosure protection IP40 (EN 60529)
Standard voltages DC (=) : 12V - 24V

prefix option	power ratings			operator ambient temperature range (TS) (C°)	replacement coil	type (1)
	inrush ~ (VA)	holding ~ (VA)	hot/cold = (W)			
-	-	-	-	1,5 / 1,5	-	01

(1) Refer to the dimensional drawings on the following page.



Function NC, threaded body

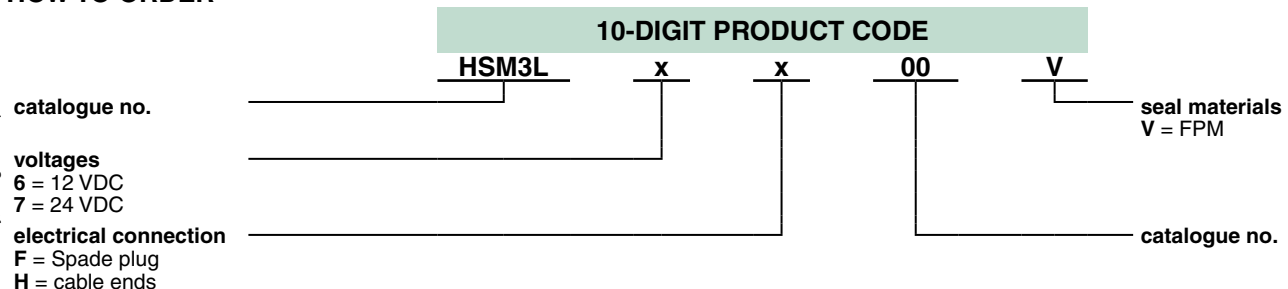


Function NC, screw-in type body

SPECIFICATIONS

pipe size	orifice size		flow coefficient Kv		operating pressure differential (bar)			power coil (W)		catalogue no.	
	1 → 2	2 → 3	(m³/h)	(l/min)	min.	max. (PS)		~	=	threaded body	screw-in type body
	(mm)	(mm)				air and gases (*)					
M5	0,75	1	0,016	0,26	-0,9	-	7	-	1,5	HSM3Lxx00V	HSM3Mxx00V
	1	1	0,025	0,42	-0,9	-	7	-	1,5	HSM3Lxx10V	HSM3Mxx10V
	2	1	0,058	0,97	-0,9	-	3,5	-	1,5	HSM3Lxx50V	HSM3Mxx50V

HOW TO ORDER



All leaflets are available on: www.asconumatics.eu

01041GBGB-2014/R01 Availability, design and specifications are subject to change without notice. All rights reserved.



青岛秉诚自动化设备有限公司
地址：中国·青岛市重庆南路99号海尔云街甲3号楼7F

服务热线：4006-918-365
网址：<http://www.asco.store>

传真：(86-532)585-10-365
Email：sales@bechinas.com

OPTIONS

- Seals made from EPDM (ethylene-propylene) (contact us)
- Oxygen service
- Other pipe connections (10-32 UNF-3B)

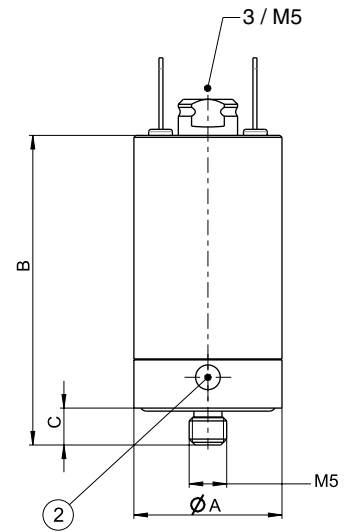
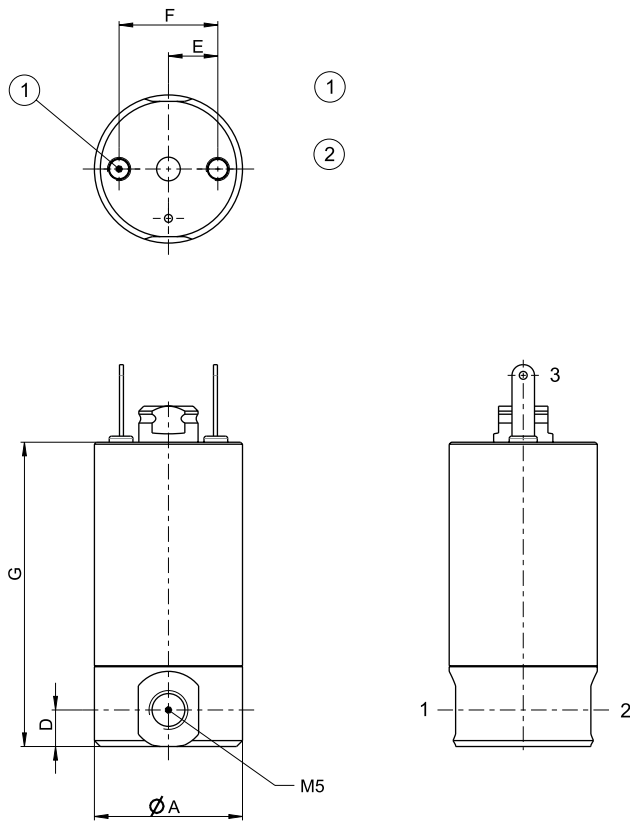
INSTALLATION

- The solenoid valves can be mounted in any position without affecting operation
- Threaded solenoid valves have 2 mounting holes in body
- Screw-in type valves and o-ring seals for multiple manifolds

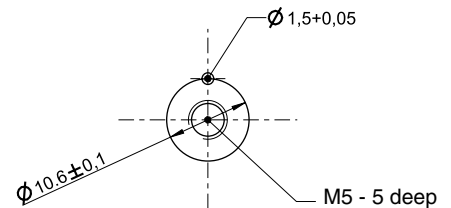
DIMENSIONS (mm), WEIGHT (kg)

HSM3Lxx00V / HSM3Lxx10V / HSM3Lxx50V
HSM3Lxx00V / HSM3Lxx10V / HSM3Lxx50V

HSM3Mxx00V / HSM3Mxx10V / HSM3Mxx50V
HSM3Mxx00V / HSM3Mxx10V / HSM3Mxx50V



screw-in mounting pattern



- ① 2 mounting holes Ø M3x0,5
- ② Mounting with hook spanner wrench DIN 1810B

Ø10,6±0,1
max. Ø1,5+0,05

connection type	catalogue no.	A	B	C	D	E	F	G	weight
threaded body	HSM3Lxx00V/HSM3Lxx10V/HSM3Lxx50V HSM3Lxx00V/HSM3Lxx10V/HSM3Lxx50V	19,05	-	-	4,7	6,35	12,7	39,11	0,059
screw-in type body	HSM3Mxx00V/HSM3Mxx10V/HSM3Mxx50V HSM3Mxx00V/HSM3Mxx10V/HSM3Mxx50V	19,05	39,62	4,8	-	-	-	-	0,053

All leaflets are available on: www.asconumatics.eu