

FEATURES

- Converts analog input control signals to coil current of a proportional solenoid valve by means of pulse width modulation
- LED-Display integrated in the connector
- Adjustable UP/DOWN ramp control
- Output coil current independent of coil resistance (temperature) and supply voltage variations
- The electronic circuit is integrated in a standard housing according to DIN EN 175301-803, form A
- Parameter setting via PC interface and programming adapter or, optionally, via the switches integrated in the connector

GENERAL

Nominal voltage 12/24 V DC
Maximum current 1,2 A / 2,5 A

CONSTRUCTION

Housing PA
Cover PA
Screw Zinc plated steel
Seals NBR

ELECTRICAL CHARACTERISTICS

Connector M12, 5 pins
Connector specification DIN EN 175301-803, form A
Electrical safety IEC 335
Electrical enclosure protection IP65 (EN 60529)
Supply voltage 12V ... 30 V DC (incl. ripple)

max. full load current (I_{FL}) (mA)	input control signal		ambient temperature range ($^{\circ}$ C)
	U_c = (V)	I_c (mA)	
1200/2400	0 - 10	4 - 20	-20 to +65

Ramp time Selectable ON/OFF,
adjustable from 50 ms to 5 s, UP/DOWN
Adjustable switch frequency 60 - 1500 Hz

SPECIFICATIONS

catalogue number: proportional valves for digital control unit	type ⁽¹⁾	setpoint	catalogue number	
			control unit	adapter
202A001V to 202A087V 203B001V and 203B002V 60200001, 60200002, 60200004	01	0 - 10 V	X90850164500100	-
		4 - 20 mA	X90850164500200	
202A201V to 202A208V 202A513V	02	0 - 10 V	X90850164500100	+ 833-064154
		4 - 20 mA	X90850164500200	

⁽¹⁾ Refer to the dimensional drawings on the following page.

PROPORTIONAL VALVES SUITABLE FOR CONTROL APPLICATIONS

description	series	illustration	catalogue page
3-port proportional valve for pressure control	602		see P308 in our "Pneumatic Components" catalogue
Posiflow / Preciflow proportional solenoid valves, Flapper proportional	202, 203 068		See our "Proportional Technology" catalogue at: www.asconumatics.eu



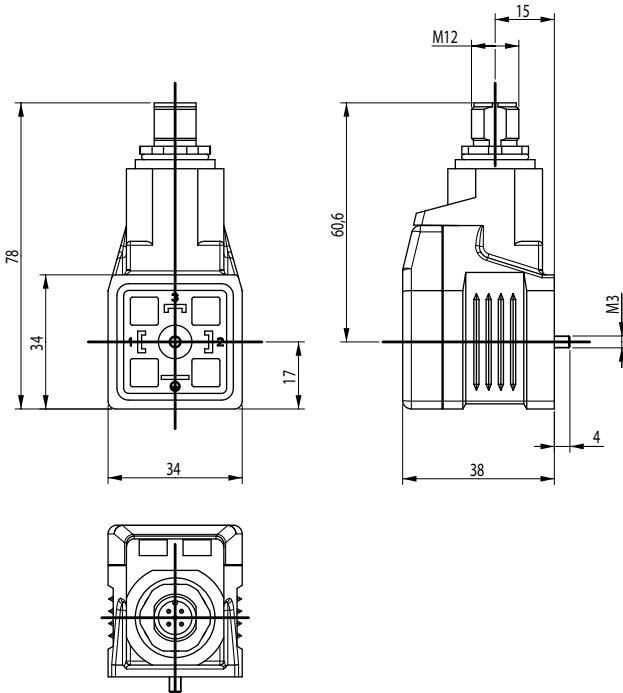
INSTALLATION

- The control unit can be mounted in any position without affecting operation

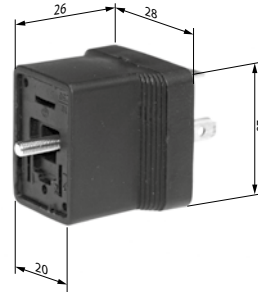
DIMENSIONS (mm), WEIGHT (kg)



TYPE 01: CONTROL UNIT
0,075 kg



TYPE 02: ADAPTER
from Form A to Form B



PROGRAMMING ADAPTER



INPUT AND OUTPUT SIGNALS

Pin	Supply
1	Voltage supply (see "Electrical Characteristics")
3	Analog ground 0 V (GND)
Analog signals	
2 4	Setpoint input (differential input) The range 0...100 % corresponds to an input voltage of 0...10 V or an input current of 4...20 mA (depending on version used).
Communication	
5	LIN Bus connection The parameters for the device can be set via this connection and our programming adapter.

ACCESSORIES

description	catalogue number
Straight M12 female connector, 5 pins, with screw terminals	88100256
Right-angle M12 female connector, 5 pins, with screw terminals	88100725
Supply cable 2 m, 2 x 0,25 mm ² , straight connector	88100726
Supply cable 2 m, 2 x 0,25 mm ² , right-angle connector	88100727
Supply cable 5 m, 6 x 0,56 mm ² , straight connector	88100728
Supply cable 5 m, 6 x 0,56 mm ² , right-angle connector	88100729
Supply cable 10 m, 6 x 0,56 mm ² , straight connector	88100730
Supply cable 10 m, 6 x 0,56 mm ² , right-angle connector	88100731
Adapter DIN EN 175301-803 from Form A to Form B for Type 02	833-064154
Programming adapter	X90850164500300

All leaflets are available on: www.asconumatics.eu