

FEATURES

- Control device for **PWM** (pulse-width modulated) proportional solenoid valve control
- Designed for open-loop, closed-loop and **double-loop** (cascaded) control
- Suitable for the control of flow, pressure, temperature, force etc.
- Integrated display and LEDs
- Control parameters adjustable via software (DigiCom, USB interface)
- Auto-Adapt function/button for automatic adjustment of the CONTROL^D control device to the control valve

A special feature of the CONTROL^D is the "ASCO-DigiCom" software supplied for optimum adjustment over PC. Setpoint and feedback values can be viewed at the same time. Other functions are valve diagnostics, parameter setting and maintenance.



GENERAL

Ambient temperature -20°C to +50°C

CONSTRUCTION

Body PA (polyamide)

Degree of protection IP20

Electrical connection Pluggable terminal block (0,08 - 1,5 mm²)

Mounting DIN-EN 50022 rail

ELECTRICAL CHARACTERISTICS

Supply voltage (U_N) 24 V DC ±10 %, max. ripple 10 %
or 12 V DC +15 % -5 %, max. ripple 10 %

Max. current of proportional solenoid valve 2 A

Setpoint input 0 - 10 V DC, 0 - 20 mA, 4 - 20 mA

Sensor input 0 - 10 V DC, 0 - 20 mA, 4 - 20 mA

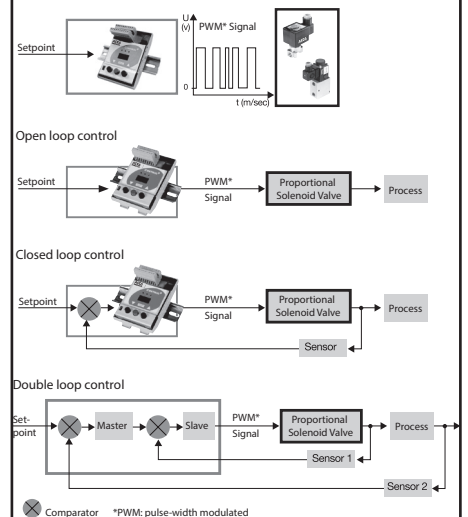
Feedback output 0 - 10 V, 0 / 4 - 20 mA

Ramp ON/OFF

Adjustable switching frequency adjustable between 0,1 and 20 seconds

20 to 2000 Hz

Control^D offers 3 control modes



SPECIFICATIONS

| description | catalogue number |
|---|------------------|
| CONTROL ^D control device - 12 V DC | 60300117 |
| CONTROL ^D control device - 24 V DC | 60300118 |

PROPORTIONAL VALVES SUITABLE FOR CONTROL APPLICATIONS

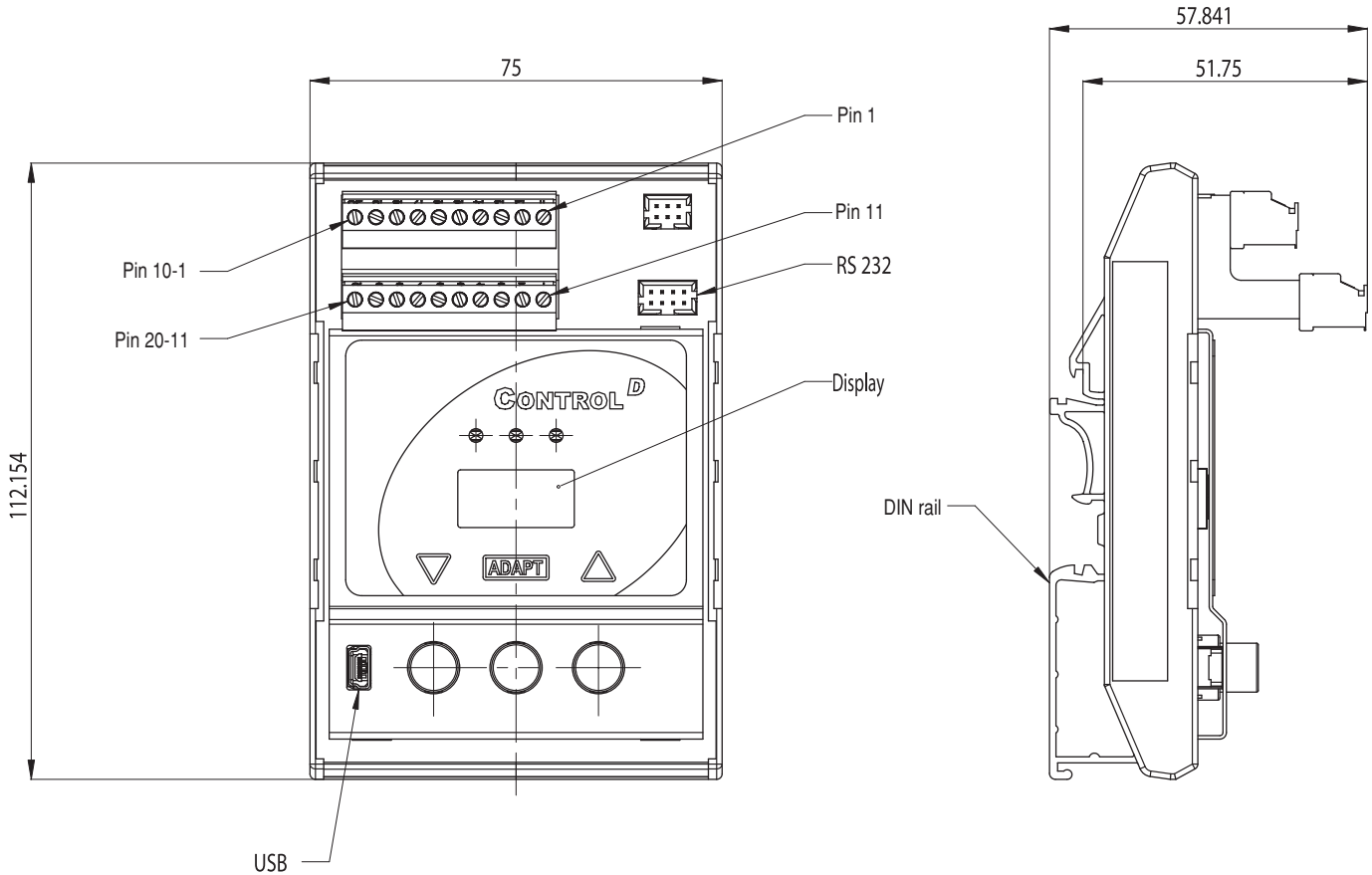
| description | series | illustration | catalogue page |
|--|---------|--------------|--|
| 3-port proportional valve for pressure control | 602 | | see " Proportional Technology " on: www.asco.com |
| Posiflow proportional solenoid valves | 202-203 | | See " Proportional Technology " on: www.asco.com |

00257GB-2016/R02
Availability, design and specifications are subject to change without notice. All rights reserved.

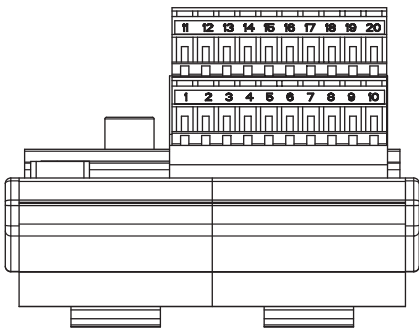
All leaflets are available on: www.asco.com

DIMENSIONS (mm), WEIGHT (kg)

weight: 0,153 kg



CONNECTOR PINNING



| pin | description | pin | description |
|-----|---------------------------|-----|-------------------------|
| 1 | V DC IN/ + supply | 11 | Setpoint |
| 2 | GND IN/ ground | 12 | GND setpoint |
| 3 | Protective earth PE | 13 | Digital input |
| 4 | Frequency input | 14 | GND Digital input |
| 5 | Sensor supply voltage + | 15 | Valve / coil connection |
| 6 | Analog input 1 | 16 | GND valve |
| 7 | GND sensor supply voltage | 17 | Digital output |
| 8 | Sensor supply voltage + | 18 | GND Digital output |
| 9 | Analog input 2 | 19 | GND Analog output |
| 10 | GND sensor supply voltage | 20 | Analog output |

ACCESSORIES

| description | catalogue number |
|---|------------------|
| "ASCO-DigiCom" CONTROL ^D software on CD-ROM (supplied with the controller) | 88100893 |
| USB cable for CONTROL ^D to PC connection (to be ordered separately) | 88100894 |

All leaflets are available on: www.asco.com