

ASCO™ Solenoid Pilot Valves

For Pneumatic Valves, 90 mm and 125 mm Actuators

3-way, NC, Direct Operated, 1/4" Tapped

Features and Benefits

- Compact design and low weight enable easy installation on all series 290 and 390 valves with 90 and 125 mm operators
- Manual operator allows easy installation (series 314)
- Pilot 356: AC/DC interchangeability of the solenoid without disassembly of the valve
- Compliance with UL and CSA standards (pilot valve series 356 coupling)
- UL429 and EN 60335 certified
- The series 314 pilot solenoid valves satisfy all relevant EU Directives
- The series 356 pilot solenoid valves satisfy all relevant EU and EAC directives

General

Differential pressure

See Specifications section [1 bar = 100 kPa]

Response time

See following page

Pilot (series)	Fluids (*)	Temperature range (TS) (1)	Seal materials (*)
314	Filtered air	-10°C to +60°C (14°F to 140°F)	NBR (nitrile)
356	Filtered air and water		FPM (fluoroelastomer)

(1) The minimum ambient temperature of the solenoid valve is determined by the limitations of minimum temperature indicated.

Materials of components in contact with fluid

(*) Ensure that compatibility of materials in contact with fluids is verified.

Body

Pilot 314

Brass or stainless steel AISI 304

Pilot 356

Brass or stainless steel AISI 316

Shading coil

Copper or silver

Copper

Core tube

Stainless steel

Stainless steel

Core and plugnut

Stainless steel

Stainless steel

Springs

Stainless steel

Stainless steel

Seals and disk

NBR

FPM

Seats

Brass

Brass or stainless steel

Electrical characteristics

Coil insulation class

F

Connector

Spade plug (cable Ø 6-8 mm)

Connector specification

ISO 4400 / EN 175301-803, form A

Electrical safety

IEC 335

Electrical enclosure protection

Moulded IP67 (EN 60529) with plug-connector

Standard voltages

DC (=) : 12 - 24V

(Other voltages and frequencies on request)

AC (~) : 24V/50-60 Hz - 110V/50 Hz (120 V/60Hz)
230V/50-60 Hz

Operator ambient temperature range (TS)	Power ratings			
	Inrush ~	Holding ~		Hot/cold =
°C (°F)	(VA)	(VA)	(W)	(W)
314 pilot (type 01) (2)				
-10 to +60 (14 to 140)	6	3.5	2.5	2.5 / 3
356 pilot (type 02)				
-10 to +60 (14 to 140)	-	4.5	3	-
	-	-	-	5

(2) All 238 basic numbers are UL & CSA approved and marked with the UR (recognised component) & CSA logos.

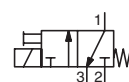
Options

• **314 Pilot:**

- Explosion-proof enclosures for use in zones 1/21-2/22, categories 2-3 to ATEX Directive 2014/34/EU

• **356 pilot:**

- NSF 169, EC 1935 / 2004 approval, EPDM/FPM disc and seal (Food Grade)



314 pilot



pilot 356

314 pilot - Specifications

pipe size	orifice size	flow coefficient Kv				operating pressure differential bar (psi)				power coil (W)	thread type	dimensions / type (1)	15-DIGIT PRODUCT CODE											
		2 → 1		1 → 3		max. (PS)							brass (2)	stainless steel (2)	voltage code									
		mm (in)	m³/h (Cv)	l/min	m³/h (Cv)	l/min	min.	air (*)							water (*)		24 V/50 Hz	48 V/50 Hz	115 V/50 Hz	230 V/50 Hz	24 V/DC	48 V/DC		
								~	=				~	=	~	=								
NC - Normally closed, with maintained manual operator																								
1/4"	3.2 (1/8)	0.22 (0.25)	3.7	0.17 (0.20)	2.8	(3)	10 (145)	6 (90)	10 (145)	6 (90)	10.1	11.6	E NPT	01 01	E314K141S1N01	E314K140S1N01	8314K141S1N01	8314K140S1N01	FL	FR	FT	F8	F1	F9

(*) Ensure that compatibility of materials in contact with fluids is verified.

(1) See Dimensions (pages 5 to 12).

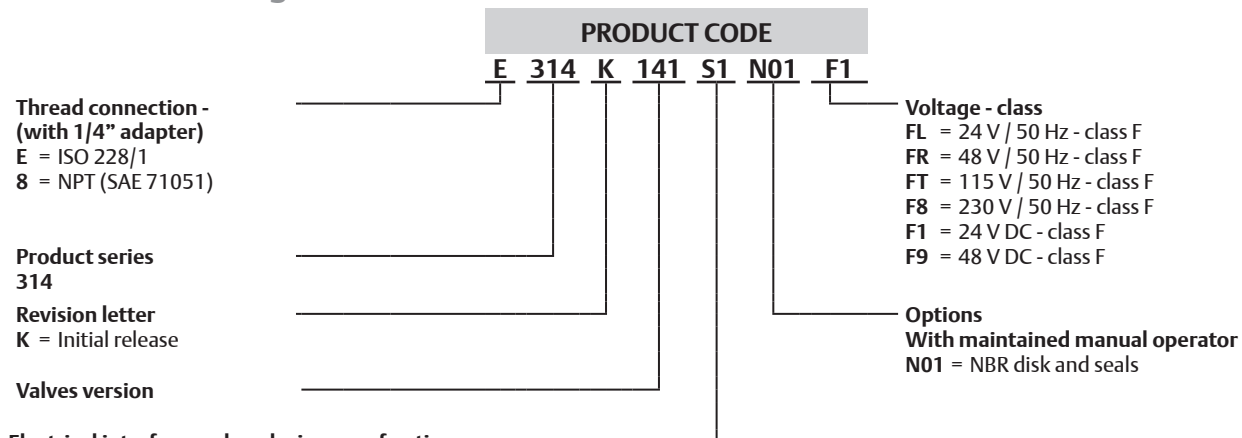
(2) Solenoid valve with 1/4" adapter.

(3) Refer to catalog pages on series 290/390 valves which show the minimum pilot pressure for each version of the product.

314 pilot		Response time (in seconds) for NC valve [6 bar (87 psi) pilot air]			
Valve response times depend on the Kv of the pilot valve used and the size of the valve [orifice size 3.2 mm (1/8 in), max. pilot pressure 10 bar (145 psi)]					
Size of valve		90 mm actuator		125 mm actuator	
Ø	DN	O (4)	C (4)	O (4)	C (4)
1"	25	0.15	0.35	-	-
1 1/4"	32	0.15	0.38	0.67	0.78
1 1/2"	40	0.15	0.4	0.67	0.78
2"	50	0.2	0.4	0.67	0.78
2 1/2"	65	0.2	0.4	0.67	0.78

(4) For NO valves, interchange O and C values.

Product selection guide



S1 = With spade plug connector

MV = Steel enclosure, M20 cable gland, IECEx/ATEX

II 2G Ex eb mb IIC Gb/II 2D Ex tb IIIC Db, zone 1-21 (equivalent to EM prefix)⁽⁵⁾

MT = Steel enclosure, 20 mm conduit, IECEx/ATEX

II 2G Ex eb mb IIC Gb/II 2D Ex tb IIIC Db, zone 1-21 (equivalent to EMET prefix)⁽⁵⁾

MN = Steel enclosure, 1/2 NPT conduit, IECEx/ATEX

II 2G Ex eb mb IIC Gb/II 2D Ex tb IIIC Db zone 1-21 (equivalent to EMT prefix)⁽⁵⁾

MW = AISI 316L enclosure, M20 cable gland, IECEx/ATEX

II 2G Ex eb mb IIC Gb/II 2D Ex tb IIIC Db, zone 1-21 (equivalent to WSEM prefix)⁽⁵⁾

MU = AISI 316L enclosure, 20 mm conduit, IECEx/ATEX

II 2G Ex eb mb IIC Gb/II 2D Ex tb IIIC Db, zone 1-21 (equivalent to WSEMET prefix)⁽⁵⁾

MS = AISI 316L enclosure, 1/2 NPT conduit, IECEx/ATEX

II 2G Ex eb mb IIC Gb/II 2D Ex tb IIIC Db, zone 1-21 (equivalent to WSEMT prefix)⁽⁵⁾

A7 = Moulded enclosure, epoxy encapsulated, integrated cable, IECEx/ATEX

II 2G Ex mb IIC Gb / II 2D Ex mb IIIC Db, zone 1-21 (equivalent to PV prefix)⁽⁵⁾

(5) Rechercher le préfixe sur Emerson.com pour obtenir des informations techniques détaillées.

Please note that the valve pressure ratings with some of the ATEX enclosures will be reduced.

To obtain the correct pressure rating please check the landing pages of the "3-Way Solenoid Valve DIN Configurator".

356 pilot / type 02 - Specifications ⁽¹⁾

Pipe size	Orifice size	Flow coefficient Kv		Operating pressure differential bar (psi)				power coil (W)		thread type	dimensions / type ⁽²⁾	15-DIGIT PRODUCT CODE					
				max. (PS)								voltage code					
				air (*)		water (*)						body			body		
				mm (in)	m ³ /h (Cv)	(l/min)	min.					~	=	~	=	~	=
356 pilot - NC - Normally closed, FPM disc and seal, without manual operator																	
1/8"	1.6 (1/16)	0.08 (0.09)	1.33 ⁽⁴⁾	13 (189)	13 (189)	9	9	G	02	G356C119S19FM	G356C127S19FM	FH	F0	FQ	F3	F1	
								NPT	02	8356C119S19FM	8356C127S19FM						

(*) Ensure that compatibility of materials in contact with fluids is verified.

⁽¹⁾ All performances are at ambient temperature of +60°C.

⁽²⁾ See Dimensions (pages 5 to 12).

⁽³⁾ Solenoid valve with 1/4" adapter.

⁽⁴⁾ Refer to catalog pages on series 290/390 valves which show the minimum pilot pressure for each version of the product.

356 pilot

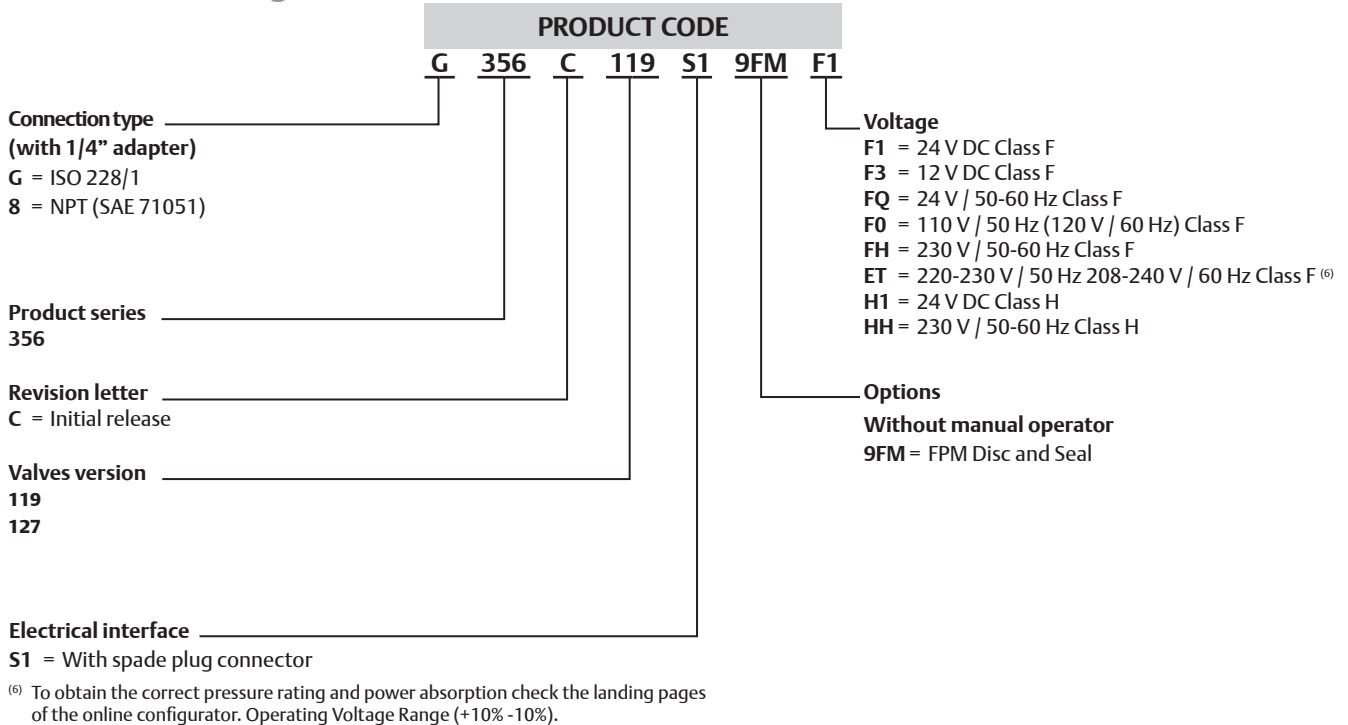
Response time (in seconds) for NC valve [6 bar (87 psi) pilot air]

Valve response times depend on the Kv of the pilot valve used and the size of the valve [orifice size 1.6 mm (1/16 in), max. pilot pressure 10 bar (145 psi)]

Size of valve		90 mm actuator		125 mm actuator	
Ø	DN	O ⁽⁵⁾	C ⁽⁵⁾	O ⁽⁵⁾	C ⁽⁵⁾
1"	25	0.47	1.3	-	-
1 1/4"	32	0.47	1.4	1.35	2.51
1 1/2"	40	0.49	1.5	1.35	2.51
2"	50	0.73	1.6	1.35	2.51
2 1/2"	65	0.73	1.6	1.35	2.51

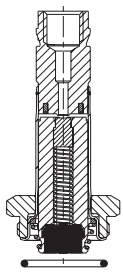
⁽⁵⁾ For NO valves, interchange O and C values.

Product selection guide



Repair Kits and Service Parts

314 pilot

		Spare parts kits no. (*)							
		AC (~)				DC (=)			
		NBR	-	-		NBR	-	-	
	E314K140	M200073	N00	-	-	M200069	N00	-	-
	E314K141	M200071	N00	-	-	M200067	N00	-	-

356 pilot

		Spare parts kits no. (*)	
		FPM disk and seal	
NC - Normally closed - 1/4" - AC (~) / DC (=)			
356C119/127	M200708	V00	

(*) Ensure that compatibility of materials in contact with fluids is verified.

Installation

314 pilot (with 1/4" adapter)

- The solenoid valves can be mounted in any position without affecting operation
- Thread connection (G) has a standard thread according to ISO 228/1
- Thread connection (NPT) has standard thread according to SAE 71051
- Installation/maintenance instructions in multiple languages are available on our website

356 pilot (with 1/4" adapter)

- The solenoid valves can be mounted in any position without affecting operation
- Thread connection (G) has a standard thread according to ISO 228/1
- Thread connection (NPT) has standard thread according to SAE 71051
- Installation/maintenance instructions in multiple languages are available on our website

01552GB-2021/R01
Availability, design and specifications are subject to change without notice. All rights reserved.

Dimensions mm (inches), Weight kg (Lbs)

2-way - 90 mm and 125 mm actuators - 314 pilot
for series 290
tapped body, butt welding or clamp connection



TYPE 01
Pilot 314, brass body
Epoxy moulded
IEC 335 / DIN 43650 / IP65

E314K141S1N01

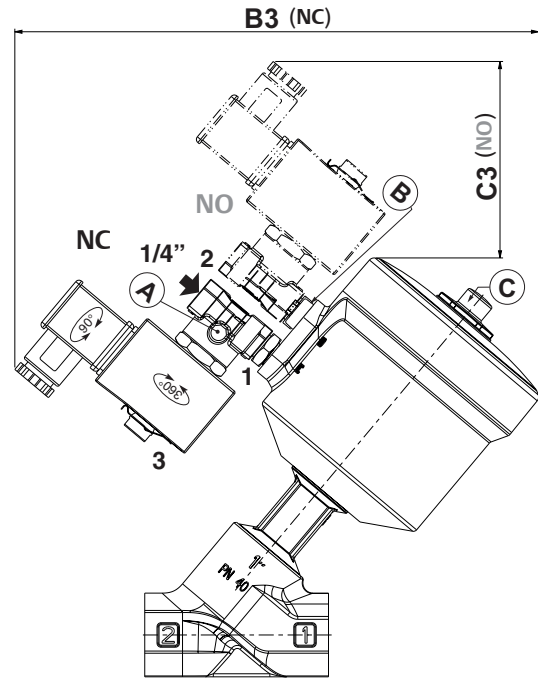
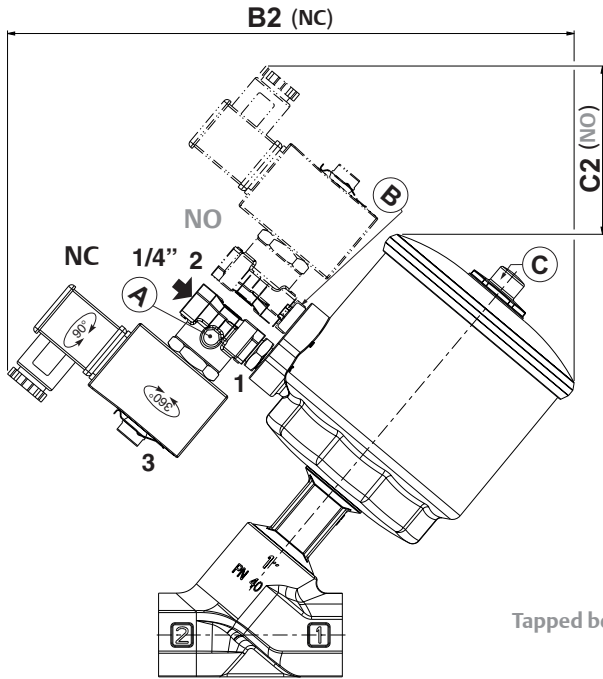
90 mm and 125 mm plastic actuators



TYPE 01
Pilot 314, stainless steel body
Epoxy moulded
IEC 335 / DIN 43650 / IP65

E314K141S1N01

90 mm stainless steel actuator



- (A) Manual operator location
- (B) Filter-plug (non-removable)
- (C) Optical position indicator

Type	Actuator diameter	ØA	Plastic actuator		Stainless steel actuator		Weight (with pilot)			
			B2 (NC)	C2 (NO)	B3 (NC)	C3 (NO)	Plastic	Stainless steel		
01	90 mm	G* 1"	mm	277.5	82.5	256.5	96.5	2.7	3.8	kg
		NPT 1"	(in)	10.925	3.248	10.098	3.799	5.9	8.5	(Lbs)
	90 mm	G* 1 1/4"	mm	277.5	82.5	256.5	96.5	3.1	4.3	kg
		NPT 1 1/4"	(in)	10.925	3.248	10.098	3.799	6.8	9.4	(Lbs)
	125 mm	G* 1 1/4"	mm	339	44	-	-	6.1	-	kg
		NPT 1 1/4"	(in)	13.346	1.732	-	-	13.4	-	(Lbs)
	90 mm	G* 1 1/2"	mm	277.5	82.5	256.5	96.5	3.7	4.9	kg
		NPT 1 1/2"	(in)	10.925	3.248	10.098	3.799	8.1	10.7	(Lbs)
	125 mm	G* 1 1/2"	mm	339	44	-	-	6.9	-	kg
		NPT 1 1/2"	(in)	13.346	1.732	-	-	15.2	-	(Lbs)
	90 mm	G* 2"	mm	277.5	82.5	256.5	96.5	4.5	5.7	kg
		NPT 2"	(in)	10.925	3.248	10.098	3.799	9.9	12.5	(Lbs)
	125 mm	G* 2"	mm	339	44	-	-	7.8	-	kg
		NPT 2"	(in)	13.346	1.732	-	-	17.2	-	(Lbs)
	90 mm	G* 2 1/2"	mm	277.5	82.5	256.5	96.5	6.6	7.8	kg
		NPTF 2 1/2"	(in)	10.925	3.248	10.098	3.799	14.5	17.1	(Lbs)
125 mm	G* 2 1/2"	mm	339	44	-	-	10.1	-	kg	
	NPTF 2 1/2"	(in)	13.346	1.732	-	-	22.2	-	(Lbs)	

01552CB-2021/R01
Availability, design and specifications are subject to change without notice. All rights reserved.

Dimensions mm (inches), Weight kg (Lbs)

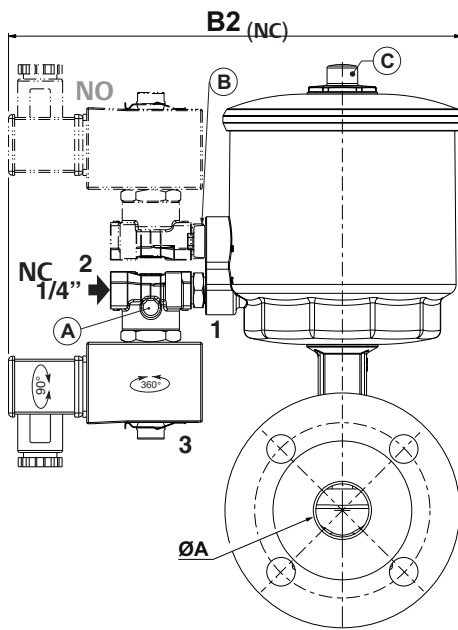
**2-way - 90 mm and 125 mm actuators - 314 pilot
for series 290
flanges body (ISO/ANSI)**



TYPE 01
Pilot 314, brass body
Epoxy moulded
IEC 335 / DIN 43650 / IP65

E314K141S1N01

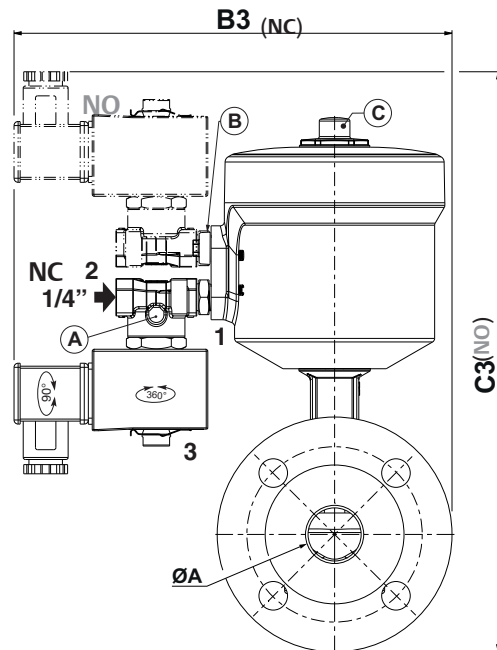
90 mm and 125 mm plastic actuators



TYPE 01
Pilot 314, stainless steel body
Epoxy moulded
IEC 335 / DIN 43650 / IP65

E314K141S1N01

90 mm stainless steel actuator



- (A) Manual operator location
- (B) Filter-plug (non-removable)
- (C) Optical position indicator

Type	Actuator diameter	DN	ØA	Plastic actuator		Stainless steel actuator				Weight (with pilot)				
				B3 (NC/NO)		B3 (NC/NO)		C3 (NO)		Plastic		Stainless steel		
				ISO	ANSI	ISO	ANSI	ISO	ANSI	ISO	ANSI	ISO	ANSI	
01	90 mm	25	28.5 mm	222	222	214.5	212	284	281.5	5.5	4.8	6.7	6	kg
			1.122 (in)	8.740	8.740	8.445	8.346	11.181	11.083	12.2	10.6	14.7	13.2	(Lbs)
	90 mm	32	37.2 mm	233.5	222	227	214.5	313	300.5	7.4	5.9	8.6	7.1	kg
			1.465 (in)	9.193	8.740	8.937	8.445	12.323	11.831	16.3	13.1	18.9	15.6	(Lbs)
	125 mm	32	37.2 mm	260	260	-	-	-	-	10.4	8.9	-	-	kg
			1.465 (in)	10.236	10.236	-	-	-	-	22.9	19.7	-	-	(Lbs)
	90 mm	40	43.1 mm	238.5	226	232	219.5	315.5	303	8.4	7.2	9.6	8.3	kg
			1.697 (in)	9.390	8.898	9.134	8.642	12.421	11.929	18.6	15.8	21.1	18.4	(Lbs)
	125 mm	40	43.1 mm	260	260	-	-	-	-	11.6	10.4	-	-	kg
			1.697 (in)	10.236	10.236	-	-	-	-	25.6	22.9	-	-	(Lbs)
	90 mm	50	54.5 mm	246	238.5	239.5	232	333.5	326	11.1	10.1	12.3	11.3	kg
			2.146 (in)	9.685	9.390	9.429	9.134	13.130	12.835	24.6	22.3	27.1	24.8	(Lbs)
	125 mm	50	54.5 mm	265	260	-	-	-	-	14.5	13.5	-	-	kg
			2.146 (in)	10.433	10.236	-	-	-	-	31.9	29.7	-	-	(Lbs)
	90 mm	65	70.3 mm	256	253.5	249.5	247	368.5	366	15.9	16.0	17	17.1	kg
			2.768 (in)	10.079	9.980	9.823	9.724	14.508	14.409	35.0	35.2	37.5	37.8	(Lbs)
125 mm	65	70.3 mm	275	272.5	-	-	-	-	19.4	19.5	-	-	kg	
		2.768 (in)	10.827	10.728	-	-	-	-	42.7	42.9	-	-	(Lbs)	

01552GB-2021/R01
Availability, design and specifications are subject to change without notice. All rights reserved.

Dimensions mm (inches), Weight kg (Lbs)

2-way - 90 mm and 125 mm actuators - 356 pilot
for series 290
tapped body, butt welding or clamp connection



TYPE 02
Pilot 356, brass body
Epoxy moulded
IEC 335 / DIN 43650 / IP65

G356C119S1FM - 8356C119S1FM

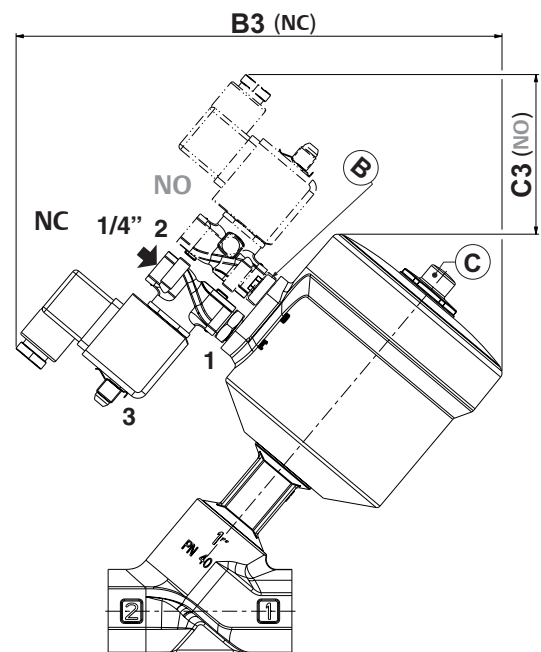
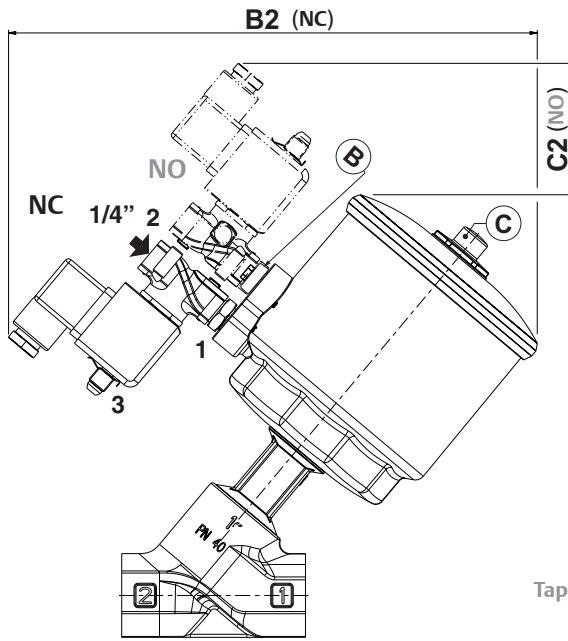
90 mm and 125 mm plastic actuators



TYPE 02
Pilot 356, stainless steel body
Epoxy moulded
IEC 335 / DIN 43650 / IP65

G356C127S1FM - 8356C127S1FM

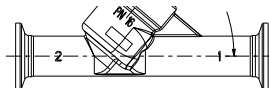
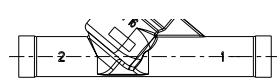
90 mm stainless steel actuator



Tapped body

Butt welding connection

CLAMP connection



- (B) Filter-plug (non-removable)
- (C) Optical position indicator

Type	Actuator diameter	ØA	Plastic actuator		Stainless steel actuator		Weight (with pilot)			
			B2 (NC)	C2 (NO)	B3 (NC)	C3 (NO)	Plastic	Stainless steel		
02	90 mm	G* 1"	mm	259	64.5	238	78.5	2.4	3.5	kg
		NPT 1"	(in)	10.197	2.539	9.370	3.091	5.2	7.7	(Lbs)
	90 mm	G* 1 1/4"	mm	259	64.5	238	78.5	2.8	3.9	kg
		NPT 1 1/4"	(in)	10.197	2.539	9.370	3.091	6.1	8.6	(Lbs)
	125 mm	G* 1 1/4"	mm	320	26	-	-	5.8	-	kg
		NPT 1 1/4"	(in)	12.598	1.024	-	-	12.7	-	(Lbs)
	90 mm	G* 1 1/2"	mm	259	64.5	238	78.5	3.4	4.5	kg
		NPT 1 1/2"	(in)	10.197	2.539	9.370	3.091	7.4	9.9	(Lbs)
	125 mm	G* 1 1/2"	mm	320	26	-	-	6.6	-	kg
		NPT 1 1/2"	(in)	12.598	1.024	-	-	14.4	-	(Lbs)
	90 mm	G* 2"	mm	259	64.5	238	78.5	4.2	5.3	kg
		NPT 2"	(in)	10.197	2.539	9.370	3.091	9.1	11.7	(Lbs)
	125 mm	G* 2"	mm	320	26	-	-	7.5	-	kg
		NPT 2"	(in)	12.598	1.024	-	-	16.4	-	(Lbs)
	90 mm	G* 2 1/2"	mm	259	64.5	238	78.5	6.3	7.4	kg
		NPTF 2 1/2"	(in)	10.197	2.539	9.370	3.091	13.8	16.3	(Lbs)
125 mm	G* 2 1/2"	mm	320	26	-	-	9.8	-	kg	
	NPTF 2 1/2"	(in)	12.598	1.024	-	-	21.5	-	(Lbs)	

01552CB-2021/R01 Availability, design and specifications are subject to change without notice. All rights reserved.

Dimensions mm (inches), Weight kg (Lbs)

2-way - 90 mm and 125 mm actuators - 356 pilot
for series 290
flanges body (ISO/ANSI)



TYPE 02
Pilot 356, brass body
Epoxy moulded
IEC 335 / DIN 43650 / IP65

G356C119S1FM - 8356C119S1FM

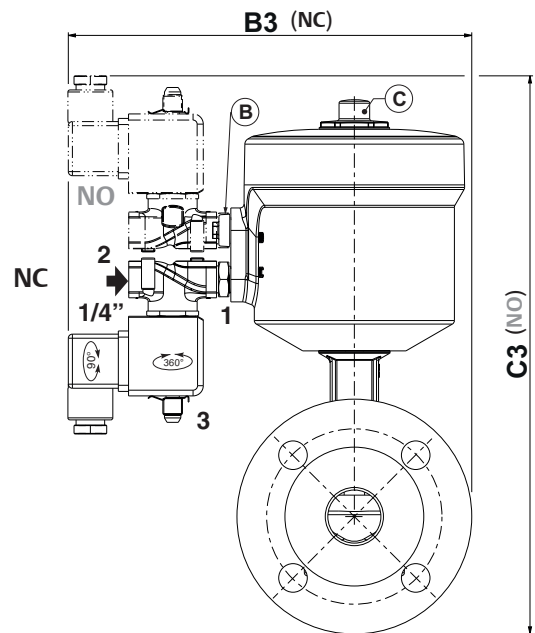
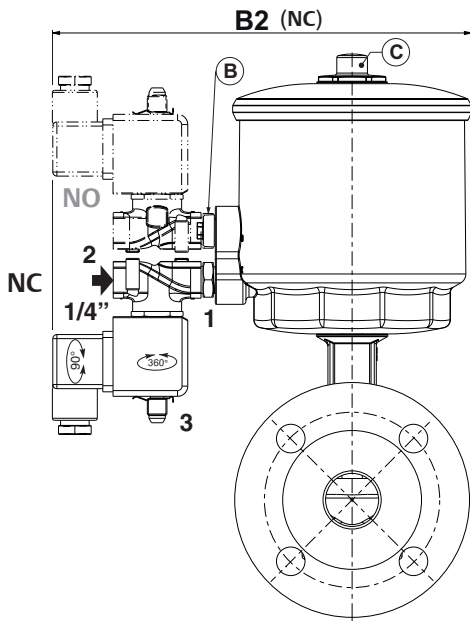
90 mm and 125 mm plastic actuators



TYPE 02
Pilot 356, stainless steel body
Epoxy moulded
IEC 335 / DIN 43650 / IP65

G356C127S1FM - 8356C127S1FM

90 mm stainless steel actuator



- (B) Filter-plug (non-removable)
- (C) Optical position indicator

Type	Actuator diameter	DN	ØA	Plastic actuator		Stainless steel actuator				Weight (with pilot)				
				B3 (NC/NO)		B3 (NC/NO)		C3 (NO)		Plastic		Stainless steel		
				ISO	ANSI	ISO	ANSI	ISO	ANSI	ISO	ANSI	ISO	ANSI	
02	90 mm	25	28.5 mm	205.5	205.5	198	195.5	273.5	271	5.2	4.5	6.3	5.6	kg
			1.122 (in)	8.091	8.091	7.787	7.697	10.768	10.669	11.4	9.9	14	12.5	(Lbs)
	90 mm	32	37.2 mm	217	205.5	210.5	198	302.5	290	7.1	5.6	8.2	6.8	kg
			1.465 (in)	8.535	8.091	8.287	7.795	11.909	11.417	15.6	12.3	18.1	14.9	(Lbs)
	125 mm	32	37.2 mm	243.5	243.5	-	-	-	-	10.1	8.6	-	-	kg
			1.465 (in)	9.587	9.587	-	-	-	-	22.2	19.0	-	-	(Lbs)
	90 mm	40	43.1 mm	222	209.5	215.5	203	305	292.5	8.1	6.8	9.2	8	kg
			1.697 (in)	8.740	8.248	8.484	7.992	12.008	11.516	17.8	15.1	20.4	17.6	(Lbs)
	125 mm	40	43.1 mm	243.5	243.5	-	-	-	-	11.3	10.0	-	-	kg
			1.697 (in)	9.587	9.587	-	-	-	-	24.9	22.1	-	-	(Lbs)
	90 mm	50	54.5 mm	229.5	222	223	215.5	323	315.5	10.8	9.8	12.0	10.9	kg
			2.146 (in)	9.035	8.740	8.780	8.484	12.717	12.421	23.8	21.5	26.4	24.1	(Lbs)
125 mm	50	54.5 mm	248	243.5	-	-	-	-	14.2	13.1	-	-	kg	
		2.146 (in)	9.764	9.587	-	-	-	-	31.2	28.9	-	-	(Lbs)	
90 mm	65	70.3 mm	239.5	237	233	230.5	358	355.5	15.5	15.6	16.7	16.8	kg	
		2.768 (in)	9.429	9.331	9.173	9.075	14.094	13.996	34.2	34.5	36.8	37	(Lbs)	
125 mm	65	70.3 mm	258	255.5	-	-	-	-	19.0	19.1	-	-	kg	
		2.768 (in)	10.157	10.059	-	-	-	-	41.9	42.2	-	-	(Lbs)	

01552GB-2021/R01
Availability, design and specifications are subject to change without notice. All rights reserved.

Dimensions mm (inches), Weight kg (Lbs)

3-way - 90 mm and 125 mm actuators - 356 pilot
for series 390
tapped body



TYPE 0
Pilot 314, brass body
Epoxy moulded
IEC 335 / DIN 43650 / IP65

E314K141S1N01

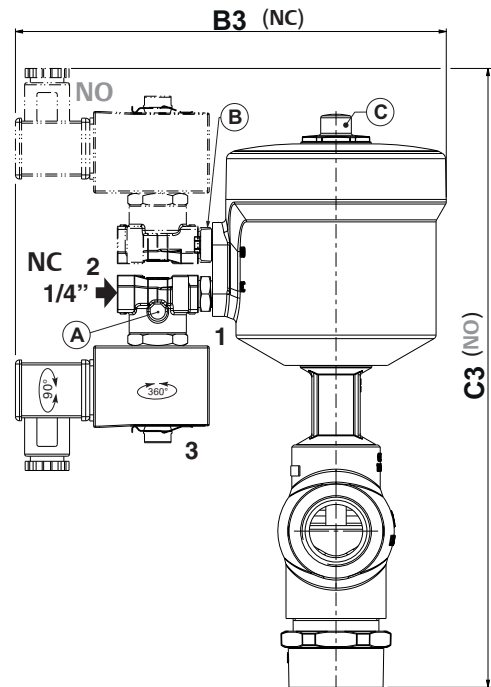
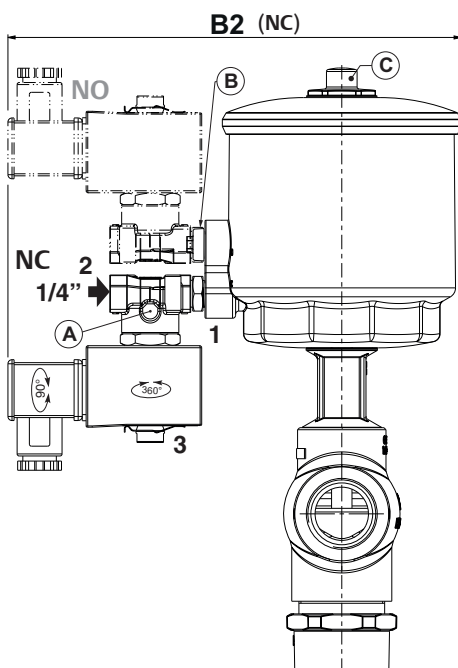
90 mm and 125 mm plastic actuators



TYPE 01
Pilot 314, stainless steel body
Epoxy moulded
IEC 335 / DIN 43650 / IP65

E314K141S1N01

90 mm stainless steel actuator



- (A) Manual operator location
- (B) Filter-plug (non-removable)
- (C) Optical position indicator

Type	Actuator diameter	ØA		Plastic actuator			Stainless steel actuator		Weight (with pilot)	
				B2 (NC)	B3 (NC)	C3 (NO)	Plastic	Stainless steel	kg	(Lbs)
01	90 mm	G* 1"	mm	222	211	303	3.6	4.8	kg	
		NPT 1 1/4"	(in)	8.740	8.307	11.929	8.0	10.6	(Lbs)	
	90 mm	G* 1 1/4"	mm	222.0	211	321.5	4.7	5.8	kg	
		NPT 1 1/4"	(in)	8.740	8.307	12.657	10.3	12.8	(Lbs)	
	90 mm	G* 1 1/2"	mm	222.0	211	327	5.5	6.6	kg	
		NPT 1 1/2"	(in)	8.740	8.307	12.874	12.0	14.6	(Lbs)	
	125 mm	G* 1 1/2"	mm	260	-	-	8.5	-	kg	
		NPT 1 1/2"	(in)	10.236	-	-	18.7	-	(Lbs)	
	90 mm	G* 2"	mm	222.0	211	341	6.9	8.1	kg	
		NPT 2"	(in)	8.740	8.307	13.425	15.3	17.8	(Lbs)	
	125 mm	G* 2"	mm	260	-	-	10.2	-	kg	
		NPT 2"	(in)	10.236	-	-	22.5	-	(Lbs)	

01552CB-2021/R01
Availability, design and specifications are subject to change without notice. All rights reserved.

Dimensions mm (inches), Weight kg (Lbs) 

**3-way - 90 mm and 125 mm actuators - 356 pilot
for series 390
tapped body**



TYPE 02
Pilot 356, brass body
Epoxy moulded
IEC 335 / DIN 43650 / IP65

G356C119S1FM - 8356C119S1FM

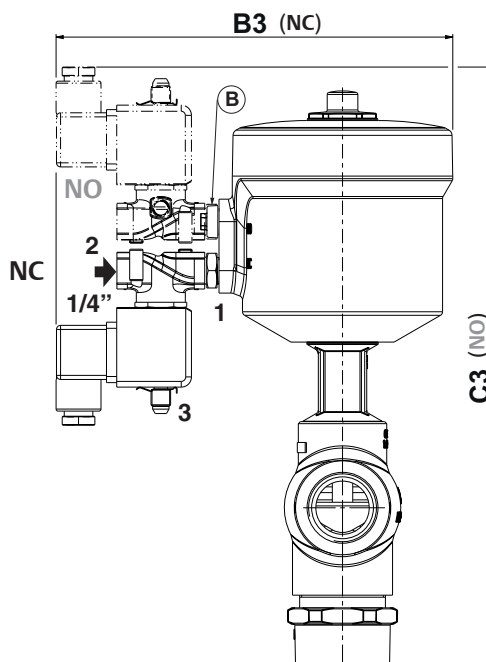
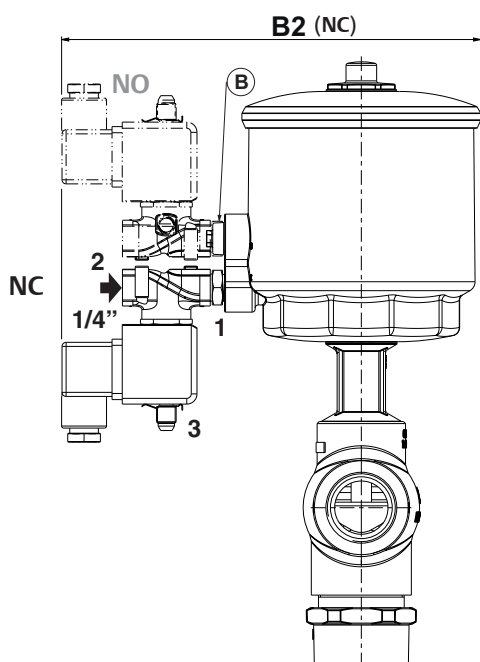
90 mm and 125 mm plastic actuators



TYPE 02
Pilot 356, stainless steel body
Epoxy moulded
IEC 335 / DIN 43650 / IP65

G356C127S1FM - 8356C127S1FM

90 mm stainless steel actuator



- Ⓑ Filter-plug (non-removable)
- Ⓒ Optical position indicator

Type	Actuator diameter	ØA	Plastic actuator			Stainless steel actuator		Weight (with pilot)	
			B2 (NC)	B3 (NC)	C3 (NO)	Plastic	Stainless steel	kg	(Lbs)
02	90 mm	G* 1"	mm	205.5	194.5	292.5	3.3	4.5	kg
		NPT 1"	(in)	8.091	7.657	11.516	7.3	9.8	(Lbs)
	90 mm	G* 1 1/4"	mm	205.5	194.5	311	4.3	5.5	kg
		NPT 1 1/4"	(in)	8.091	7.657	12.244	9.5	12.1	(Lbs)
	90 mm	G* 1 1/2"	mm	205.5	194.5	316.5	5.1	6.3	kg
		NPT 1 1/2"	(in)	8.091	7.657	12.461	11.3	13.8	(Lbs)
	125 mm	G* 1 1/2"	mm	243.5	-	-	8.1	-	kg
		NPT 1 1/2"	(in)	9.587	-	-	17.9	-	(Lbs)
	90 mm	G* 2"	mm	205.5	194.5	330.5	6.6	7.7	kg
		NPT 2"	(in)	8.091	7.657	13.012	14.5	17.1	(Lbs)
	125 mm	G* 2"	mm	243.5	-	-	9.9	-	kg
		NPT 2"	(in)	9.587	-	-	21.8	-	(Lbs)

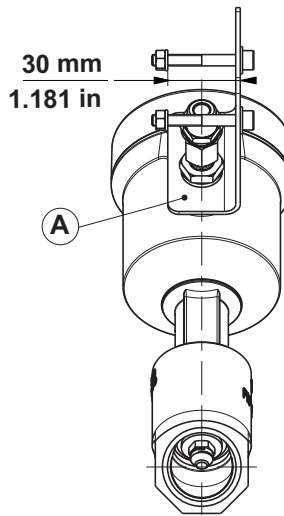
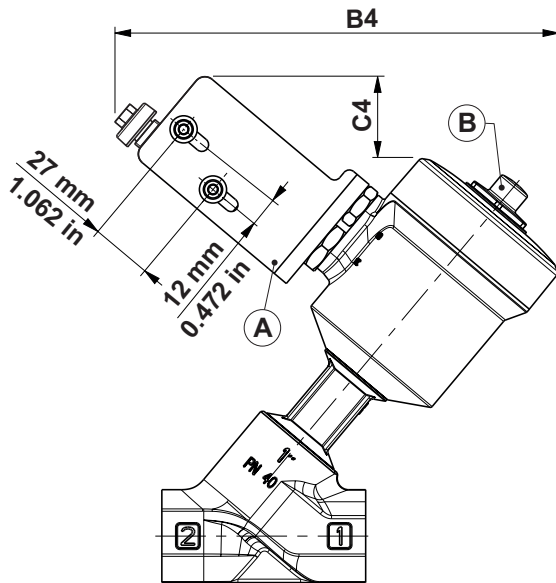
01552GB-2021/R01
Availability, design and specifications are subject to change without notice. All rights reserved.

Dimensions mm (inches), Weight kg (Lbs)



Adaptater kit for series 327 (option «327»)
 For 90 mm stainless steel actuator
 NC - Fluid entry:
 under the disc at 2

Angle seat valve



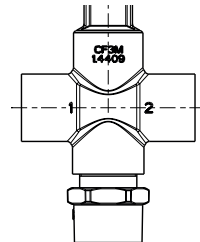
butt welding connection



CLAMP connection



Tapped body (3-way)



- (A) Adaptation kit for series 327 solenoid valves, basic flow, 1/4"
- (B) Optical position indicator

Actuator diameter	327 adaptater kit mounted			Weight (Kit adapter alone)	
		B4	C4		
90 mm	mm	226	30.5	0.2	kg
	(in)	8.886	1.201	0.5	(Lbs)

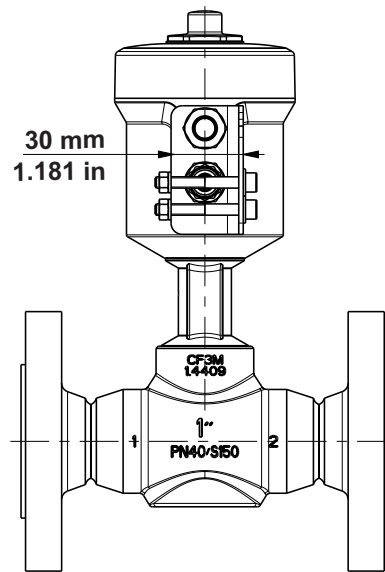
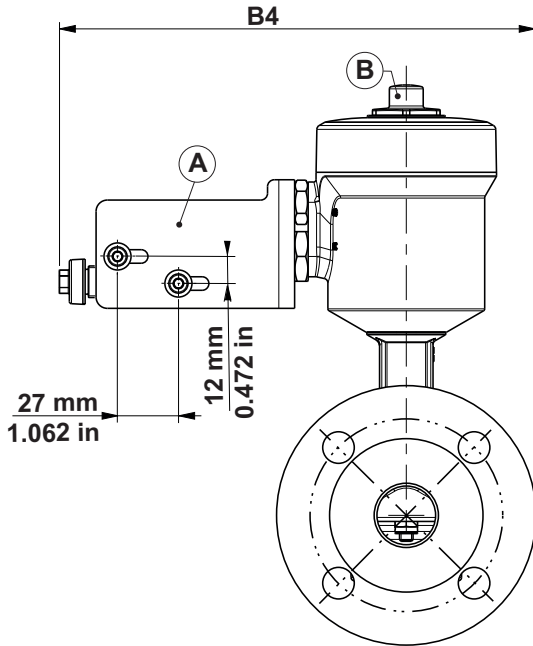
01552CB-2021/R01
 Availability, design and specifications are subject to change without notice. All rights reserved.

Dimensions mm (inches), Weight kg (Lbs)



Adaptater kit for series 327 (option «327»)
For 90 mm stainless steel actuator
NC - Fluid entry:
under the disc at 2

Straight seat valve



- (A) Adaptation kit for series 327 solenoid valves, basic flow, 1/4"
- (B) Optical position indicator

Actuator diameter	DN	327 adaptater kit mounted		Weight (Kit adapter alone)		
		B4				
		ISO	ANSI			
90 mm	25	mm	228	225.5	0.2	kg
		(in)	8.976	8.878	0.5	(Lbs)
	32	mm	240.5	228	0.2	kg
		(in)	9.469	8.976	0.5	(Lbs)
	40	mm	245.	233	0.2	kg
		(in)	9.665	9.173	0.5	(Lbs)
	50	mm	253	245.5	0.2	kg
		(in)	9.961	9.665	0.5	(Lbs)
	60	mm	263	260.5	0.2	kg
		(in)	10.354	10.256	0.5	(Lbs)

01552GB-2021/R01
Availability, design and specifications are subject to change without notice. All rights reserved.