

ASCO™ Pneumatic Angle Seat Valves

2-way, Pressure Operated, Stainless Steel Body, Plastic or Stainless Steel Actuator
25 to 91 O.D. Stub, Clamp Body

2/2
Series
290

Features and Benefits

- Special design of the valve prevents external build up and is easy to clean
- All wetted parts are available for contact with food in compliance with the EC Directive 1935/2004 and FDA CFR21
- Exhaust air can be easily ducted to reduce emissions and protect the environment
- Specifications are laser marked on the valve to prevent loss during high pressure washing
- Ample fluid passage for optimal flow
- Adjustable actuator enables 360° access to pilot port
- Modular design provides exceptional flexibility
- Anti-water hammer design and back pressure resistant
- Extensive range of actuators, options, certifications and accessories

General

| | |
|----------------------------|---|
| Differential pressure | See Specifications section [1 bar = 100 kPa] |
| Vacuum | 10 ⁻² mbar (10 ⁻² Torr/mm Hg) |
| Maximum allowable pressure | 16 bar (240 psi) |
| Ambient temperature range | |
| Plastic actuator | -10°C to +60°C (14°F to 140°F) |
| Stainless steel actuator | -20°C to +70°C (-4°F to 158°F) |
| Maximum viscosity | 800 cSt (mm ² /s) (2.700 SSU) |
| Pilot fluid | Filtered air or water |
| Maximum pilot pressure | 10 bar (150 psi) / bistable function: 8 bar (120 psi) |
| Minimum pilot pressure | See Specifications section |
| Response time | See dedicated pilot catalog pages |

| Fluids (*) | Temperature range (TS) ⁽¹⁾ | Disc seal (*) |
|--|---|---------------|
| Up to DN 50: air and gas groups 1 and 2 | Plastic actuator: -10°C to +184°C (14°F to 360°F) | PTFE |
| All DN: liquids and steam groups 1 and 2 | Stainless steel actuator: -20°C to 140°C (-4°F to 184°F) | |
| | WSF option: -10°C to +184°C (14°F to 360°F) | |
| | | |

Materials of components in contact with fluid

(*) Ensure that compatibility of materials in contact with fluids is verified.

| | Plastic and stainless steel actuators | All 316L grade version with body passivation |
|----------------------|---------------------------------------|--|
| Body | Stainless steel AISI 316L | Stainless steel AISI 316L |
| Stuffing box housing | Stainless steel AISI 316L | Stainless steel AISI 316L |
| Stem | Stainless steel AISI 431 | Stainless steel AISI 316L |
| Disc | Stainless steel AISI 316L | Stainless steel AISI 316L |
| Disc seal | PTFE | PTFE |
| Wiper seal | FPM | PTFE |
| Stuffing box packing | PTFE | PTFE |
| Valve body seal | PTFE | PTFE |
| CLAMP connection | AISI 316L (NET-INOX treatment) | |
| | ISO 2852 for pipe ISO 1127 (page 2) | |
| | Clamp SMS 3017 (page 6) | |
| | Clamp DIN 32676 - A (page 8) | |
| | Clamp ASME BPE (page 11) | |
| Pilot port insert | Brass or stainless steel AISI 316L | |

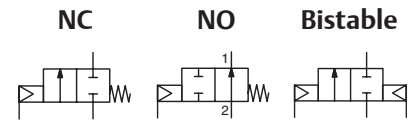
Other components

| | |
|----------------------------|--|
| Actuator | Glass fiber filled PA or stainless steel AISI 316L |
| Optical position indicator | PA 12 |

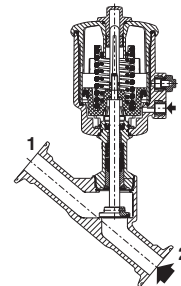
Certifications and Approvals

- Pressure Equipment Directive 2014/68/EU, Category 1 (DN > 25) or article 4.3 (DN ≤ 25)
- Functional Safety of Machinery: EN ISO 13849-1
- Reach compliant
- IEC 61508 Standard (2010 route 2_H version) certified with integrity levels: SIL 2 for HFT = 0
- The valves satisfy all relevant EU and EAC directives
- RoHS compatible

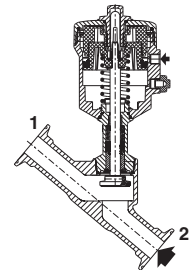
⁽¹⁾ The minimum ambient temperature of the valve is determined by the limitations of minimum temperature indicated.



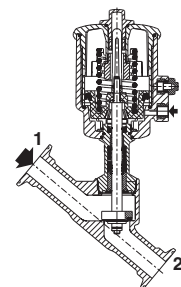
NC function, entry under the disc, 63 mm plastic actuator



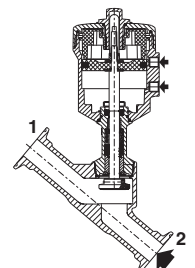
NO function, entry under the disc, 63 mm stainless steel actuator



NC function, entry above the disc, 63 mm plastic actuator



Bistable function, 63 mm stainless steel actuator



01535CB-2021/R01 Availability, design and specifications are subject to change without notice. All rights reserved.

Options ⁽¹⁾

- Food contact certified: Wetted parts EC 1935/2004 and FDA CFR21
- Oxygen service pressure limited to 15 bar (220 psi), ambient and media temperatures limited to +60°C (140°F)
- Explosive atmospheres, ATEX and IECEx compliant
- Medium vacuum service up to 10⁻³ mb (10⁻³ Torr)
- Visual position indicator for 32 mm and 50 mm plastic actuators (standard position indicators for other plastic actuator sizes and stainless steel actuators)
- Pilots (see dedicated catalog pages)
- Large range of switch boxes and digital positioners (see dedicated catalog pages)
- Valve body material composition certificate 3.1

⁽¹⁾ See Choice of options and accessories (page 19)

Specifications (Clamp ISO 2852 for pipe ISO 1127)

| O.D. of stub | I.D. of stub | DN | Flow coefficient | | Pilot pressure | | Operating pressure differential | | | Actuator diameter | Dimensions / Type ⁽²⁾ | Pilot connection | Catalog number | | | |
|---|--------------|----|------------------|------|----------------|--------------------|---------------------------------|--|------------------|-------------------|----------------------------------|--------------------|----------------------------------|--------------------|-----------------|-----------------|
| | | | | | | | bar (psi) | | | | | | Clamp ISO 2852 for pipe ISO 1127 | | | |
| | | | Kv (Cv) | Min. | Max. | Air, inert gas (*) | Water, oil, liquids (*) | Steam ⁽¹⁾ ≤ 140°C (≤ 284°F) (*) | Plastic actuator | | | | Stainless steel actuator | | | |
| NC - Normally closed, entry under the disc | | | | | | | | | | | | | | | | |
| 34 | 9 | 10 | 2.5 (2.9) | 41 | 4.7 (75) | 10 (150) | 16 (240) | 16 (240) | 10 (150) | 32 | 01 | G* | W290D011CSA0000 | W290D01PCSA0000 | | |
| | | | | | | | | | | | | NPT | W290D012CSA0000 | W290D01QCSA0000 | | |
| 34 | 15 | 15 | 4.7 (5.4) | 78 | 4.7 (75) | 10 (150) | 10 (150) | 10 (150) | 10 (150) | 32 | 01 | G* | W290D021CSA0000 | W290D02PCSA0000 | | |
| | | | | | | | | | | | | NPT | W290D022CSA0000 | W290D02QCSA0000 | | |
| | | | 5.4 (6.2) | 90 | 4.5 (70) | 10 (150) | 16 (240) | 16 (240) | 10 (150) | 50 | 02 | G* | W290D023CSA0000 | W290D02RCSA0000 | | |
| | | | | | 2.8 (45) | 10 (150) | 16 (240) | 16 (240) | 10 (150) | 63 | 03 | G* | W290D025CSA0000 | W290D02TCSA0000 | | |
| | | | | | | | | | | | NPT ⁽³⁾ | W290D026CSA0000 | W290D02UCSA0000 | | | |
| 50.5 | 20 | 20 | 7.5 (8.7) | 125 | 4.7 (75) | 10 (150) | 6 (90) | 6 (90) | 6 (90) | 32 | 01 | G* | W290D031CSA0000 | W290D03PCSA0000 | | |
| | | | | | | | | | | | | NPT ⁽³⁾ | W290D032CSA0000 | W290D03QCSA0000 | | |
| | | | 6.8 (7.9) | 113 | 4.5 (70) | 10 (150) | 10 (150) | 10 (150) | 10 (150) | 50 | 02 | G* | W290D033CSA0000 | W290D03RCSA0000 | | |
| | | | | | 4.5 (70) | 10 (150) | 16 (240) | 16 (240) | 10 (150) | 63 | 03 | G* | W290D035CSA0000 | W290D03TCSA0000 | | |
| | | | | | | | | | | | NPT ⁽³⁾ | W290D036CSA0000 | W290D03UCSA0000 | | | |
| | | | | | | | | | | | | G* | W290D735CSA0000 | W290D73TCSA0000 | | |
| | | | | | | | | | | | | NPT ⁽³⁾ | W290D736CSA0000 | W290D73UCSA0000 | | |
| | | | | | | | | | | | | | G* | W290D043CSA0000 | W290D04RCSA0000 | |
| 50.5 | 21 | 25 | 12.9 (15) | 215 | 4.5 (70) | 10 (150) | 6 (90) | 6 (90) | 6 (90) | 50 | 02 | NPT ⁽³⁾ | W290D044CSA0000 | W290D04SCSA0000 | | |
| | | | 14.9 (17.3) | 248 | 4.5 (70) | 10 (150) | 10 (150) | 10 (150) | 10 (150) | 63 | 03 | G* | W290D045CSA0000 | W290D04TCSA0000 | | |
| | | | | | | | | | | | | | NPT ⁽³⁾ | W290D046CSA0000 | W290D04UCSA0000 | |
| | | | 15.4 (17.8) | 256 | 4.5 (70) | 10 (150) | 16 (240) | 16 (240) | 10 (150) | 90 | 04 | G* | W290D04BCSA0000 | W290D04XCSA0000 | | |
| | | | | | | | | | | | | | NPT ⁽³⁾ | W290D04CCSA0000 | W290D04YCSA0000 | |
| | | | 14.9 (17.3) | 248 | 2.8 (45) | 10 (150) | 6 (90) | 6 (90) | 6 (90) | 63 | 03 | G* | W290D745CSA0000 | W290D74TCSA0000 | | |
| | | | | | | | | | | | | | | NPT ⁽³⁾ | W290D746CSA0000 | W290D74UCSA0000 |
| | | | 15.4 (17.8) | 256 | 2.8 (45) | 10 (150) | 12 (180) | 12 (180) | 10 (150) | 90 | 04 | G* | W290D74BCSA0000 | W290D74XCSA0000 | | |
| | | | | | | | | | | | NPT ⁽³⁾ | W290D74CCSA0000 | W290D74YCSA0000 | | | |

(*) Ensure that compatibility of materials in contact with fluids is verified.

⁽¹⁾ Only with stainless steel actuator.

⁽²⁾ For dimensions, see drawing(s) for each construction type on the following page(s).

⁽³⁾ Plastic actuator: NPTF / Stainless steel actuator: NPT

01535GB-2021/RO1
Availability, design and specifications are subject to change without notice. All rights reserved.

Specifications (Clamp ISO 2852 for pipe ISO 1127)

| O.D. of stub | I.D. of stub | DN | Flow coefficient | | Pilot pressure | | Operating pressure differential | | | Actuator diameter / Dimensions / Type ⁽²⁾ | Piloting connection | Catalog number | | | |
|---|--------------|------------------------------------|------------------------------------|------------------------------------|------------------------------------|-----------------|---------------------------------|-------------------------|---|--|---------------------|----------------------------------|--------------------------|--------------------|-----------------|
| | | | | | | | bar (psi) | | | | | Clamp ISO 2852 for pipe ISO 1127 | | | |
| | | | Kv | (Cv) | bar (psi) | | Air, inert gas (*) | Water, oil, liquids (*) | Steam ⁽¹⁾ ≤ 140°C (≤ 284°F) (*) | | | Stainless steel body | | | |
| | | | | | Min. | Max. | | | | | | Plastic actuator | Stainless steel actuator | | |
| m ³ /h (gal/min) | (l/min) | | | | | | | | | | | | | | |
| 50.5 | 30.3 | 32 | 27.3 (31.6) | 455 | 4.5 (70) | 10 (150) | 6 (90) | 6 (90) | 6 (90) | 63 | 03 | G* W290D055CSA0000 | W290D05TCSA0000 | | |
| | | | NPT ⁽³⁾ W290D056CSA0000 | | W290D05UCSA0000 | | | | | | | | | | |
| | | | 28.5 (33) | 475 | 4.5 (70) | 10 (150) | 12 (180) | 12 (180) | 10 (150) | 90 | 04 | G* W290D05BCSA0000 | W290D05XCSA0000 | | |
| | | | NPT ⁽³⁾ W290D05CCSA0000 | | W290D05YCSA0000 | | | | | | | | | | |
| | | | 27.3 (31.6) | 455 | 2.8 (45) | 10 (150) | 3 (45) | 3 (45) | 3 (45) | 63 | 03 | G* W290D755CSA0000 | W290D75TCSA0000 | | |
| | | NPT ⁽³⁾ W290D756CSA0000 | W290D75UCSA0000 | | | | | | | | | | | | |
| | | 28.5 (33) | 475 | 2.8 (45) | 10 (150) | 7 (105) | 7 (105) | 7 (105) | 90 | 04 | G* W290D75BCSA0000 | W290D75XCSA0000 | | | |
| | | NPT ⁽³⁾ W290D75CCSA0000 | | W290D75YCSA0000 | | | | | | | | | | | |
| | | 32.3 (37.5) | 538 | 4 (60) | 10 (150) | 16 (240) | 16 (240) | 10 (150) | 125 | 05 | G* W290D05HCSA0000 | - | | | |
| | | NPT ⁽³⁾ W290D05JCSA0000 | | - | | | | | | | | | | | |
| 64 | 33 | 40 | 33.7 (39) | 561 | 4.5 (70) | 10 (150) | 4 (60) | 4 (60) | 4 (60) | 63 | 03 | G* W290D065CSA0000 | W290D06TCSA0000 | | |
| | | | NPT ⁽³⁾ W290D066CSA0000 | | W290D06UCSA0000 | | | | | | | | | | |
| | | | 35.4 (41) | 590 | 4.5 (70) | 10 (150) | 8 (120) | 8 (120) | 8 (120) | 90 | 04 | G* W290D06BCSA0000 | W290D06XCSA0000 | | |
| | | | NPT ⁽³⁾ W290D06CCSA0000 | | W290D06YCSA0000 | | | | | | | | | | |
| | | | 40.2 (46.6) | 670 | 4 (60) | 10 (150) | 16 (240) | 16 (240) | 10 (150) | 125 | 05 | G* W290D06HCSA0000 | - | | |
| | | NPT ⁽³⁾ W290D06JCSA0000 | - | | | | | | | | | | | | |
| | | 35.4 (41) | 590 | 2.8 (45) | 10 (150) | 4 (58) | 4 (58) | 4 (58) | 90 | 04 | G* W290D76BCSA0000 | W290D76XCSA0000 | | | |
| | | NPT ⁽³⁾ W290D76CCSA0000 | | W290D76YCSA0000 | | | | | | | | | | | |
| | | 40.2 (46.6) | 670 | 2.5 (40) | 10 (150) | 10 (150) | 10 (150) | 10 (150) | 125 | 05 | G* W290D76HCSA0000 | - | | | |
| | | NPT ⁽³⁾ W290D76JCSA0000 | | - | | | | | | | | | | | |
| 77.5 | 46.5 | 50 | 51 (59.1) | 850 | 4.5 (70) | 10 (150) | 2.5 (40) | 2.5 (40) | 2.5 (40) | 63 | 03 | G* W290D075CSA0000 | W290D07TCSA0000 | | |
| | | | NPT ⁽³⁾ W290D076CSA0000 | | W290D07UCSA0000 | | | | | | | | | | |
| | | | 55.1 (63.8) | 918 | 4.5 (70) | 10 (150) | 6 (90) | 6 (90) | 6 (90) | 90 | 04 | G* W290D07BCSA0000 | W290D07XCSA0000 | | |
| | | | NPT ⁽³⁾ W290D07CCSA0000 | | W290D07YCSA0000 | | | | | | | | | | |
| | | | 70.4 (81.6) | 1173 | 4 (60) | 10 (150) | 10 (150) | 10 (150) | 10 (150) | 125 | 05 | G* W290D07HCSA0000 | - | | |
| | | NPT ⁽³⁾ W290D07JCSA0000 | | | - | | | | | | | | | | |
| | | 2.5 (40) | 5 (75) | 5 (75) | 5 (75) | 5 (75) | 5 (75) | 5 (75) | 125 | 05 | G* W290D77HCSA0000 | - | | | |
| | | | | NPT ⁽³⁾ W290D77JCSA0000 | - | | | | | | | | | | |
| | | 91 | 65 | 65 | 90.4 (104.8) | 1506 | 4.5 (70) | 10 (150) | 2 (30) | 2 (30) | 2 (30) | 90 | 04 | G* W290D08BCSA0000 | W290D08XCSA0000 |
| | | | | | NPT ⁽³⁾ W290D08CCSA0000 | | W290D08YCSA0000 | | | | | | | | |
| 109.1 (126.5) | 1818 | | | 4 (60) | 10 (150) | 6 (90) | 6 (90) | 6 (90) | 125 | 05 | G* W290D08HCSA0000 | - | | | |
| NPT ⁽³⁾ W290D08JCSA0000 | | | | - | | | | | | | | | | | |
| NO - Normally open, entry under the disc | | | | | | | | | | | | | | | |
| 34 | 9 | 10 | 2.5 (2.9) | 41 | IX(*) | 10 (150) | 16 (240) | 16 (240) | 10 (150) | 32 | 01 | G* W290D111CSA0000 | W290D11PCSA0000 | | |
| | | | NPT ⁽³⁾ W290D112CSA0000 | | | W290D11QCSA0000 | | | | | | | | | |
| 34 | 15 | 15 | 4.7 (5.4) | 78 | IX(*) | 10 (150) | 16 (240) | 16 (240) | 10 (150) | 32 | 01 | G* W290D121CSA0000 | W290D12PCSA0000 | | |
| | | | NPT ⁽³⁾ W290D122CSA0000 | | | W290D12QCSA0000 | | | | | | | | | |
| | | | 5.4 (6.2) | | | 90 | I(*) | 10 (150) | 16 (240) | | | 16 (240) | 10 (150) | 50 | 02 |
| | | NPT ⁽³⁾ W290D124CSA0000 | | W290D12SCSA0000 | | | | | | | | | | | |
| | | II(*) | | 10 (150) | 16 (240) | | | 16 (240) | 10 (150) | 63 | 03 | G* W290D125CSA0000 | W290D12TCSA0000 | | |
| | | | NPT ⁽³⁾ W290D126CSA0000 | W290D12UCSA0000 | | | | | | | | | | | |

(*) Ensure that compatibility of materials in contact with fluids is verified.
 (*) Minimum pilot pressure varies with differential pressure, see page 18
⁽¹⁾ Only with stainless steel actuator.
⁽²⁾ For dimensions, see drawing(s) for each construction type on the following page(s).
⁽³⁾ Plastic actuator: NPTF / Stainless steel actuator: NPT

01535GB-2021/R01 Availability, design and specifications are subject to change without notice. All rights reserved.

Specifications (Clamp ISO 2852 for pipe ISO 1127)

| O.D. of stub | I.D. of stub | DN | Flow coefficient | | Pilot pressure | | Operating pressure differential | | | Actuator diameter | Dimensions / Type (2) | Piloting connection | Catalog number | |
|--|--------------|-----------|------------------|--------|----------------|----------|---------------------------------|-------------------------|---------------------------------|-------------------|-----------------------|---------------------|----------------------------------|------------------|
| | | | | | | | bar (psi) | | | | | | Clamp ISO 2852 for pipe ISO 1127 | |
| | | | Kv | (Cv) | min. | Max. | Air, inert gas (*) | Water, oil, liquids (*) | Steam (1) ≤ 140°C (≤ 284°F) (*) | | | | (mm) | Plastic actuator |
| 50.5 | 20 | 20 | 7.5 (8.7) | 125 | IX (*) | 10 (150) | 16 (240) | 16 (240) | 10 (150) | 32 | 01 | G* | W290D131CSA0000 | W290D13PCSA0000 |
| | | | | | | | | | | | | | NPT | W290D132CSA0000 |
| | 15 | 20 | 6.8 (7.9) | 113 | I (*) | 10 (150) | 16 (240) | 16 (240) | 10 (150) | 50 | 02 | G* | W290D133CSA0000 | W290D13RCSA0000 |
| | | | | | | | | | | | | | NPT (3) | W290D134CSA0000 |
| 50.5 | 21 | 25 | 12.9 (15) | 215 | I (*) | 10 (150) | 16 (240) | 16 (240) | 10 (150) | 50 | 02 | G* | W290D135CSA0000 | W290D13TCSA0000 |
| | | | | | | | | | | | | | NPT (3) | W290D136CSA0000 |
| | 25 | 25 | 14.9 (17.3) | 248 | II (*) | 10 (150) | 16 (240) | 16 (240) | 10 (150) | 63 | 03 | G* | W290D143CSA0000 | W290D14RCSA0000 |
| | | | | | | | | | | | | | NPT (3) | W290D144CSA0000 |
| 50.5 | 30.3 | 32 | 27.3 (31.6) | 455 | II (*) | 10 (150) | 16 (240) | 16 (240) | 10 (150) | 63 | 03 | G* | W290D145CSA0000 | W290D14TCSA0000 |
| | | | | | | | | | | | | | NPT (3) | W290D146CSA0000 |
| | 32 | 32 | 15.4 (17.8) | 256 | III (*) | 10 (150) | 16 (240) | 16 (240) | 10 (150) | 90 | 04 | G* | W290D14BCSA0000 | W290D14XCSA0000 |
| | | | | | | | | | | | | | NPT (3) | W290D14CCSA0000 |
| 50.5 | 33 | 40 | 33.7 (39) | 561 | II (*) | 10 (150) | 11 (160) | 11 (160) | 10 (150) | 63 | 03 | G* | W290D155CSA0000 | W290D15TCSA0000 |
| | | | | | | | | | | | | | NPT (3) | W290D156CSA0000 |
| | 40 | 40 | 28.5 (33) | 475 | III (*) | 10 (150) | 16 (240) | 16 (240) | 10 (150) | 90 | 04 | G* | W290D15BCSA0000 | W290D15XCSA0000 |
| | | | | | | | | | | | | | NPT (3) | W290D15CCSA0000 |
| 64 | 46.5 | 50 | 51 (59.1) | 850 | II (*) | 10 (150) | 7 (105) | 7 (105) | 7 (105) | 63 | 03 | G* | W290D15CSCSA0000 | - |
| | | | | | | | | | | | | | NPT (3) | W290D15JCSA0000 |
| | 50 | 50 | 35.4 (41) | 590 | III (*) | 10 (150) | 16 (240) | 16 (240) | 10 (150) | 90 | 04 | G* | W290D165CSA0000 | W290D16TCSA0000 |
| | | | | | | | | | | | | | NPT (3) | W290D166CSA0000 |
| 64 | 65 | 65 | 90.4 (104.8) | 1506 | III (*) | 10 (150) | 7 (105) | 7 (105) | 7 (105) | 90 | 04 | G* | W290D16BCSA0000 | W290D16XCSA0000 |
| | | | | | | | | | | | | | NPT (3) | W290D16CCSA0000 |
| | 65 | 65 | 40.2 (46.6) | 670 | IV (*) | 10 (150) | 16 (240) | 16 (240) | 10 (150) | 125 | 05 | G* | W290D16HCSA0000 | - |
| | | | | | | | | | | | | | NPT (3) | W290D16JCSA0000 |
| 77.5 | 77.5 | 50 | 55.1 (63.8) | 918 | III (*) | 10 (150) | 13 (200) | 13 (200) | 10 (150) | 63 | 03 | G* | W290D175CSA0000 | W290D17TCSA0000 |
| | | | | | | | | | | | | | NPT (3) | W290D176CSA0000 |
| | 50 | 50 | 70.4 (81.6) | 1173 | IV (*) | 10 (150) | 16 (240) | 16 (240) | 10 (150) | 90 | 04 | G* | W290D17BCSA0000 | W290D17XCSA0000 |
| | | | | | | | | | | | | | NPT (3) | W290D17CCSA0000 |
| 91 | 91 | 65 | 90.4 (104.8) | 1506 | III (*) | 10 (150) | 7 (105) | 7 (105) | 7 (105) | 90 | 04 | G* | W290D17HCSA0000 | - |
| | | | | | | | | | | | | | NPT (3) | W290D17JCSA0000 |
| | 65 | 65 | 109.1 (126.5) | 1818 | IV (*) | 10 (150) | 16 (240) | 16 (240) | 10 (150) | 90 | 04 | G* | W290D18BCSA0000 | W290D18XCSA0000 |
| | | | | | | | | | | | | | NPT (3) | W290D18CCSA0000 |
| 34 | 34 | 15 | 5 (5.8) | 83 | X (*) | 10 (150) | 10 (150) | - | 10 (150) | 32 | 01 | G* | W290D18HCSA0000 | - |
| | | | | | | | | | | | | | NPT (3) | W290D18JCSA0000 |
| | 15 | 15 | 4.8 (5.5) | 80 | V (*) | 10 (150) | 10 (150) | - | 10 (150) | 32 | 01 | G* | W290D18CSA0000 | W290D18QCSA0000 |
| | | | | | | | | | | | | | NPT | W290D18TCSA0000 |
| 34 | 15 | 15 | 4.8 (5.5) | 80 | VI (*) | 10 (150) | 10 (150) | - | 10 (150) | 50 | 02 | G* | W290D323CSA0000 | W290D32RCSA0000 |
| | | | | | | | | | | | | | NPT (3) | W290D324CSA0000 |
| | 15 | 15 | 4.8 (5.5) | 80 | VI (*) | 10 (150) | 10 (150) | - | 10 (150) | 63 | 03 | G* | W290D325CSA0000 | W290D32TCSA0000 |
| | | | | | | | | | | | | | NPT (3) | W290D326CSA0000 |
| NC - Normally closed, entry above the disc (version recommended for rapid-cycling steam applications) | | | | | | | | | | | | | | |
| 34 | 9 | 10 | 2.7 (3.1) | 45 | X (*) | 10 (150) | 10 (150) | - | 10 (150) | 32 | 01 | G* | W290D311CSA0000 | W290D31PCSA0000 |
| | | | | | | | | | | | | | NPT | W290D312CSA0000 |
| 34 | 15 | 15 | 5 (5.8) | 83 | X (*) | 10 (150) | 10 (150) | - | 10 (150) | 32 | 01 | G* | W290D321CSA0000 | W290D32PCSA0000 |
| | | | | | | | | | | | | | NPT | W290D322CSA0000 |
| | 15 | 15 | 4.8 (5.5) | 80 | V (*) | 10 (150) | 10 (150) | - | 10 (150) | 50 | 02 | G* | W290D323CSA0000 | W290D32RCSA0000 |
| | | | | | | | | | | | | | NPT (3) | W290D324CSA0000 |
| 15 | 15 | 4.8 (5.5) | 80 | VI (*) | 10 (150) | 10 (150) | - | 10 (150) | 63 | 03 | G* | W290D325CSA0000 | W290D32TCSA0000 | |
| | | | | | | | | | | | | NPT (3) | W290D326CSA0000 | W290D32UCSA0000 |

(*) Ensure that compatibility of materials in contact with fluids is verified.
 (*) Minimum pilot pressure varies with differential pressure, see page 18
 (1) Only with stainless steel actuator.
 (2) For dimensions, see drawing(s) for each construction type on the following page(s).
 (3) Plastic actuator: NPTF / Stainless steel actuator: NPT

01535GB-2021/R01
Availability, design and specifications are subject to change without notice. All rights reserved.

Specifications (Clamp ISO 2852 for pipe ISO 1127)

| O.D. of stub | I.D. of stub | DN | Flow coefficient | | Pilot pressure | | Operating pressure differential | | | Actuator diameter / Dimensions / Type ⁽²⁾ | Piloting connection | Catalog number | | | |
|--------------|--|----------|--------------------|-----------------|--------------------|-----------------|---------------------------------|-------------------------|--|--|---------------------|----------------------------------|--------------------------|-----------------|-----------------|
| | | | | | | | bar (psi) | | | | | Clamp ISO 2852 for pipe ISO 1127 | | | |
| | | | Kv | (Cv) | Min. | Max. | Air, inert gas (*) | Water, oil, liquids (*) | Steam ⁽¹⁾ ≤ 140°C (≤ 284°F) (*) | | | Stainless steel body | | | |
| | | | | | | | | | | | | Plastic actuator | Stainless steel actuator | | |
| 50.5 | 20 | 20 | 7.8 (9) | 130 | X(*) | 10 (150) | 10 (150) | - | 10 (150) | 32 | 01 | G* | W290D331CSA0000 | W290D33PCSA0000 | |
| | | | NPT | W290D332CSA0000 | W290D33QCSA0000 | | | | | | | | | | |
| | 15 | 20 | 7.2 (8.3) | 120 | V(*) | 10 (150) | 10 (150) | - | 10 (150) | 50 | 02 | G* | W290D333CSA0000 | W290D33RCSA0000 | |
| | | | | | NPT ⁽³⁾ | W290D334CSA0000 | W290D33SCSA0000 | | | | | | | | |
| | | | VI(*) | 10 (150) | 10 (150) | - | 10 (150) | 63 | 03 | G* | W290D335CSA0000 | W290D33TCSA0000 | | | |
| | | | | | | | | | | NPT ⁽³⁾ | W290D336CSA0000 | W290D33UCSA0000 | | | |
| 50.5 | 21 | 25 | 13.2 (15.3) | 220 | V(*) | 10 (150) | 10 (150) | - | 10 (150) | 50 | 02 | G* | W290D343CSA0000 | W290D34RCSA0000 | |
| | | | NPT ⁽³⁾ | W290D344CSA0000 | W290D34SCSA0000 | | | | | | | | | | |
| | 15.9 (18.4) | 265 | VI(*) | 10 (150) | 10 (150) | - | 10 (150) | 63 | 03 | G* | W290D345CSA0000 | W290D34TCSA0000 | | | |
| | | | | | | | | | | NPT ⁽³⁾ | W290D346CSA0000 | W290D34UCSA0000 | | | |
| | | | 28.3 (32.8) | 471 | VI(*) | 10 (150) | 10 (150) | - | 10 (150) | 63 | 03 | G* | W290D355CSA0000 | W290D35TCSA0000 | |
| | | | | | | | | | | | | NPT ⁽³⁾ | W290D356CSA0000 | W290D35UCSA0000 | |
| 25.4 (29.4) | 423 | VII(*) | 10 (150) | 10 (150) | - | 10 (150) | 90 | 04 | G* | W290D35BCSA0000 | W290D35XCSA0000 | | | | |
| | | | | | | | | | NPT ⁽³⁾ | W290D35CCSA0000 | W290D35YCSA0000 | | | | |
| 64 | 33 | 40 | 37.9 (44) | 631 | VI(*) | 10 (150) | 10 (150) | - | 10 (150) | 63 | 03 | G* | W290D365CSA0000 | W290D36TCSA0000 | |
| | | | NPT ⁽³⁾ | W290D366CSA0000 | W290D36UCSA0000 | | | | | | | | | | |
| | 31.9 (37) | 531 | VII(*) | 10 (150) | 10 (150) | - | 10 (150) | 90 | 04 | G* | W290D36BCSA0000 | W290D36XCSA0000 | | | |
| | | | | | | | | | | NPT ⁽³⁾ | W290D36CCSA0000 | W290D36YCSA0000 | | | |
| | | | 56 (65) | 933 | VI(*) | 10 (150) | 9 (135) | - | 9 (135) | 63 | 03 | G* | W290D375CSA0000 | W290D37TCSA0000 | |
| | | | | | | | | | | | | NPT ⁽³⁾ | W290D376CSA0000 | W290D37UCSA0000 | |
| 49 (56.8) | 816 | VII(*) | 10 (150) | 10 (150) | - | 10 (150) | 90 | 04 | G* | W290D37BCSA0000 | W290D37XCSA0000 | | | | |
| | | | | | | | | | NPT ⁽³⁾ | W290D37CCSA0000 | W290D37YCSA0000 | | | | |
| 91 | 65 | 65 | 67.8 (78.6) | 1130 | VII(*) | 10 (150) | 10 (150) | - | 10 (150) | 90 | 04 | G* | W290D38BCSA0000 | W290D38XCSA0000 | |
| | | | NPT ⁽³⁾ | W290D38CCSA0000 | W290D38YCSA0000 | | | | | | | | | | |
| | Bistable function (version recommended for high fast cycling) | | | | | | | | | | | | | | |
| | 34 | 9 | 10 | 2.5 (2.9) | 41 | XII(*) | 8 (120) | 10 (150) | 10 (150) | - | 32 | 01 | G* | W290D411CSA0000 | W290D41PCSA0000 |
| | | | | NPT | W290D412CSA0000 | W290D41QCSA0000 | | | | | | | | | |
| | | 15 | 15 | 4.7 (5.4) | 78 | XII(*) | 8 (120) | 10 (150) | 10 (150) | - | 32 | 01 | G* | W290D421CSA0000 | W290D42PCSA0000 |
| NPT | | | | | | | | | | | | | W290D422CSA0000 | W290D42QCSA0000 | |
| 5.4 (6.2) | | | | 90 | X(*) | 8 (120) | 10 (150) | 10 (150) | - | 50 | 02 | G* | W290D423CSA0000 | W290D42RCSA0000 | |
| | | | | | | | | | | | | NPT ⁽³⁾ | W290D424CSA0000 | W290D42SCSA0000 | |
| XI(*) | 8 (120) | 10 (150) | - | 10 (150) | 63 | 03 | G* | W290D425CSA0000 | W290D42TCSA0000 | | | | | | |
| | | | | | | | NPT ⁽³⁾ | W290D426CSA0000 | W290D42UCSA0000 | | | | | | |
| 50.5 | 20 | 20 | 7.5 (8.7) | 125 | XII(*) | 8 (120) | 10 (150) | 10 (150) | - | 32 | 01 | G* | W290D431CSA0000 | W290D43PCSA0000 | |
| | | | NPT | W290D432CSA0000 | W290D43QCSA0000 | | | | | | | | | | |
| | 15 | 20 | 6.8 (7.9) | 113 | X(*) | 8 (120) | 10 (150) | 10 (150) | - | 50 | 02 | G* | W290D433CSA0000 | W290D43RCSA0000 | |
| | | | | | | | | | | | | NPT ⁽³⁾ | W290D434CSA0000 | W290D43SCSA0000 | |
| | | | XI(*) | 8 (120) | 10 (150) | - | 10 (150) | 63 | 03 | G* | W290D435CSA0000 | W290D43TCSA0000 | | | |
| | | | | | | | | | | NPT ⁽³⁾ | W290D436CSA0000 | W290D43UCSA0000 | | | |
| 50.5 | 21 | 25 | 12.9 (15) | 215 | X(*) | 8 (120) | 10 (150) | 10 (150) | - | 50 | 02 | G* | W290D443CSA0000 | W290D44RCSA0000 | |
| | | | NPT ⁽³⁾ | W290D444CSA0000 | W290D44SCSA0000 | | | | | | | | | | |
| | 14.9 (17.3) | 248 | XI(*) | 8 (120) | 10 (150) | - | 10 (150) | 63 | 03 | G* | W290D445CSA0000 | W290D44TCSA0000 | | | |
| | | | | | | | | | | NPT ⁽³⁾ | W290D446CSA0000 | W290D44UCSA0000 | | | |

(*) Ensure that compatibility of materials in contact with fluids is verified.
 (*) Minimum pilot pressure varies with differential pressure, see page 18
 (1) Only with stainless steel actuator.
 (2) For dimensions, see drawing(s) for each construction type on the following page(s).
 (3) Plastic actuator: NPTF / Stainless steel actuator: NPT

01535GB-2021/R01 Availability, design and specifications are subject to change without notice. All rights reserved.

Specifications (Clamp SMS 3017)

| O.D. of stub | I.D. of stub | DN | Flow coefficient | | Pilot pressure | | Operating pressure differential | | | Actuator diameter (mm) | Dimensions / Type (1) | Piloting connection | Catalog number | | |
|---|-----------------|----------------|------------------|-------------------|-----------------|-------------|---------------------------------|--------------------------|-------------------------------|---------------------------|--------------------------|---------------------|--|------------------|--------------------------|
| | | | Kv (Cv) | m³/h (gal/min) | bar (psi) | Min. | Max. | Air, inert gas (*) | Water, oil, liquids (*) | | | | Steam (1) ≤ 140°C (≤ 284°F) (*) | Clamp SMS 3017 | |
| | | | | | | | | | | | | | | Plastic actuator | Stainless steel actuator |
| NC - Normally closed, entry under the disc | | | | | | | | | | | | | | | |
| 50.5 | 21 | 25 | 12.9 (15) | 215 | 4.5 (70) | 10 (150) | 6 (90) | 6 (90) | 6 (90) | 50 | 02 | G* | W290D0435SA0000 | W290D04R55SA0000 | |
| | | | NPT (3) | W290D0445SA0000 | W290D0455SA0000 | | | | | | | | | | |
| | | 14.9 (17.3) | 248 | 4.5 (70) | 10 (150) | 10 (150) | 10 (150) | 10 (150) | 63 | 03 | G* | W290D0455SA0000 | W290D04T5SA0000 | | |
| | | NPT (3) | W290D0465SA0000 | W290D04U5SA0000 | | | | | | | | | | | |
| | | 15.4 (17.8) | 256 | 4.5 (70) | 10 (150) | 16 (240) | 16 (240) | 10 (150) | 90 | 04 | G* | W290D04B5SA0000 | W290D04X5SA0000 | | |
| | | NPT (3) | W290D04C5SA0000 | W290D04Y5SA0000 | | | | | | | | | | | |
| | | 14.9 (17.3) | 248 | 2.8 (45) | 10 (150) | 6 (90) | 6 (90) | 6 (90) | 63 | 03 | G* | W290D7455SA0000 | W290D74T5SA0000 | | |
| | | NPT (3) | W290D7465SA0000 | W290D74U5SA0000 | | | | | | | | | | | |
| | | 15.4 (17.8) | 256 | 2.8 (45) | 10 (150) | 12 (180) | 12 (180) | 10 (150) | 90 | 04 | G* | W290D74B5SA0000 | W290D74X5SA0000 | | |
| | | NPT (3) | W290D74C5SA0000 | W290D74Y5SA0000 | | | | | | | | | | | |
| 50.5 | 30.3 | 32 | 27.3 (31.6) | 455 | 4.5 (70) | 10 (150) | 6 (90) | 6 (90) | 6 (90) | 63 | 03 | G* | W290D0555SA0000 | W290D05T5SA0000 | |
| | | | NPT (3) | W290D0565SA0000 | W290D05U5SA0000 | | | | | | | | | | |
| | | 28.5 (33) | 475 | 4.5 (70) | 10 (150) | 12 (180) | 12 (180) | 10 (150) | 90 | 04 | G* | W290D05B5SA0000 | W290D05X5SA0000 | | |
| | | NPT (3) | W290D05C5SA0000 | W290D05Y5SA0000 | | | | | | | | | | | |
| | | 27.3 (31.6) | 455 | 2.8 (45) | 10 (150) | 3 (45) | 3 (45) | 3 (45) | 63 | 03 | G* | W290D7555SA0000 | W290D75T5SA0000 | | |
| | | NPT (3) | W290D7565SA0000 | W290D75U5SA0000 | | | | | | | | | | | |
| | | 28.5 (33) | 475 | 2.8 (45) | 10 (150) | 7 (105) | 7 (105) | 7 (105) | 90 | 04 | G* | W290D75B5SA0000 | W290D75X5SA0000 | | |
| | | NPT (3) | W290D75C5SA0000 | W290D75Y5SA0000 | | | | | | | | | | | |
| | | 32.3 (37.5) | 538 | 4 (60) | 10 (150) | 16 (240) | 16 (240) | 10 (150) | 125 | 05 | G* | W290D05H5SA0000 | - | | |
| | | NPT (3) | W290D05J5SA0000 | - | | | | | | | | | | | |
| 50.5 | 33 | 40 | 33.7 (39) | 561 | 4.5 (70) | 10 (150) | 4 (60) | 4 (60) | 4 (60) | 63 | 03 | G* | W290D0655SA0000 | W290D06T5SA0000 | |
| | | | NPT (3) | W290D0665SA0000 | W290D06U5SA0000 | | | | | | | | | | |
| | | 35.4 (41) | 590 | 4.5 (70) | 10 (150) | 8 (120) | 8 (120) | 8 (120) | 90 | 04 | G* | W290D06B5SA0000 | W290D06X5SA0000 | | |
| | | NPT (3) | W290D06C5SA0000 | W290D06Y5SA0000 | | | | | | | | | | | |
| | | 40.2 (46.6) | 670 | 4 (60) | 10 (150) | 16 (240) | 16 (240) | 10 (150) | 125 | 05 | G* | W290D06H5SA0000 | - | | |
| | | NPT (3) | W290D06J5SA0000 | - | | | | | | | | | | | |
| | | 35.4 (41) | 590 | 2.8 (45) | 10 (150) | 4 (58) | 4 (58) | 4 (58) | 90 | 04 | G* | W290D76B5SA0000 | W290D76X5SA0000 | | |
| | | NPT (3) | W290D76C5SA0000 | W290D76Y5SA0000 | | | | | | | | | | | |
| | | 40.2 (46.6) | 670 | 2.5 (40) | 10 (150) | 10 (150) | 10 (150) | 10 (150) | 125 | 05 | G* | W290D76H5SA0000 | - | | |
| | | NPT (3) | W290D76J5SA0000 | - | | | | | | | | | | | |
| 64 | 46.5 | 50 | 51 (59.1) | 850 | 4.5 (70) | 10 (150) | 2.5 (40) | 2.5 (40) | 2.5 (40) | 63 | 03 | G* | W290D0755SA0000 | W290D07T5SA0000 | |
| | | | NPT (3) | W290D0765SA0000 | W290D07U5SA0000 | | | | | | | | | | |
| | | 55.1 (63.8) | 918 | 4.5 (70) | 10 (150) | 6 (90) | 6 (90) | 6 (90) | 90 | 04 | G* | W290D07B5SA0000 | W290D07X5SA0000 | | |
| | | NPT (3) | W290D07C5SA0000 | W290D07Y5SA0000 | | | | | | | | | | | |
| | | 70.4 (81.6) | 1173 | 4 (60) | 10 (150) | 10 (150) | 10 (150) | 10 (150) | 125 | 05 | G* | W290D07H5SA0000 | - | | |
| | | NPT (3) | | W290D07J5SA0000 | - | | | | | | | | | | |
| 2.5 (40) | 5 (75) | 5 (75) | 5 (75) | 5 (75) | 125 | 05 | G* | W290D77H5SA0000 | - | | | | | | |
| NPT (3) | W290D77J5SA0000 | - | | | | | | | | | | | | | |

(*) Ensure that compatibility of materials in contact with fluids is verified.
 (1) Only with stainless steel actuator.
 (2) For dimensions, see drawing(s) for each construction type on the following page(s).
 (3) Plastic actuator: NPTF / Stainless steel actuator: NPT

Specifications (Clamp SMS 3017)

| O.D. of stub | I.D. of stub | DN | Flow coefficient | | Pilot pressure | | Operating pressure differential | | | Actuator diameter (mm) | Dimensions / Type ⁽¹⁾ | Piloting connection | Catalog number | | |
|--|--------------|----|------------------|-----------------------------|----------------|----------|---------------------------------|-------------------------|--|------------------------|----------------------------------|---------------------|--------------------|--------------------------|-----------------|
| | | | | | | | bar (psi) | | | | | | Clamp SMS 3017 | | |
| | | | Kv (Cv) | m ³ /h (gal/min) | Min. | Max. | Air, inert gas (*) | Water, oil, liquids (*) | Steam ⁽¹⁾ ≤ 140°C (≤ 284°F) (*) | | | | Plastic actuator | Stainless steel actuator | |
| NO - Normally open, entry under the disc | | | | | | | | | | | | | | | |
| 50.5 | 21 | 25 | 12.9 (15) | 215 | I(*) | 10 (150) | 16 (240) | 16 (240) | 10 (150) | 50 | 02 | G* | W290D1435SA0000 | W290D14R5SA0000 | |
| | | | 14.9 (17.3) | 248 | II(*) | | 16 (240) | 16 (240) | 10 (150) | 63 | 03 | NPT ⁽³⁾ | W290D1445SA0000 | W290D14S5SA0000 | |
| | | | 15.4 (17.8) | 256 | III(*) | | 16 (240) | 16 (240) | 10 (150) | 90 | 04 | G* | W290D1455SA0000 | W290D14T5SA0000 | |
| | | | | | | | 16 (240) | 16 (240) | 10 (150) | 63 | 03 | NPT ⁽³⁾ | W290D1465SA0000 | W290D14U5SA0000 | |
| | | | | | | | 16 (240) | 16 (240) | 10 (150) | 90 | 04 | NPT ⁽³⁾ | W290D14B5SA0000 | W290D14X5SA0000 | |
| | | | | | | | 16 (240) | 16 (240) | 10 (150) | 63 | 03 | G* | W290D14C5SA0000 | W290D14Y5SA0000 | |
| 50.5 | 30.3 | 32 | 27.3 (31.6) | 455 | II(*) | 10 (150) | 16 (240) | 16 (240) | 10 (150) | 63 | 03 | NPT ⁽³⁾ | W290D1555SA0000 | W290D15T5SA0000 | |
| | | | 28.5 (33) | 475 | III(*) | | 16 (240) | 16 (240) | 10 (150) | 90 | 04 | G* | W290D1565SA0000 | W290D15U5SA0000 | |
| | | | 32.3 (37.4) | 538 | IV(*) | | 16 (240) | 16 (240) | 10 (150) | 125 | 05 | NPT ⁽³⁾ | W290D15B5SA0000 | W290D15X5SA0000 | |
| | | | | | | | 16 (240) | 16 (240) | 10 (150) | 63 | 03 | G* | W290D15C5SA0000 | W290D15Y5SA0000 | |
| | | | | | | | 16 (240) | 16 (240) | 10 (150) | 90 | 04 | NPT ⁽³⁾ | W290D15H5SA0000 | - | |
| | | | | | | | 16 (240) | 16 (240) | 10 (150) | 125 | 05 | NPT ⁽³⁾ | W290D15J5SA0000 | - | |
| 50.5 | 33 | 40 | 33.7 (39) | 561 | II(*) | 10 (150) | 11 (160) | 11 (160) | 10 (150) | 63 | 03 | G* | W290D1655SA0000 | W290D16T5SA0000 | |
| | | | 35.4 (41) | 590 | III(*) | | 16 (240) | 16 (240) | 10 (150) | 90 | 04 | NPT ⁽³⁾ | W290D1665SA0000 | W290D16U5SA0000 | |
| | | | 40.2 (46.6) | 670 | IV(*) | | 16 (240) | 16 (240) | 10 (150) | 125 | 05 | G* | W290D16B5SA0000 | W290D16X5SA0000 | |
| | | | | | | | 16 (240) | 16 (240) | 10 (150) | 63 | 03 | NPT ⁽³⁾ | W290D16C5SA0000 | W290D16Y5SA0000 | |
| | | | | | | | 16 (240) | 16 (240) | 10 (150) | 90 | 04 | G* | W290D16H5SA0000 | - | |
| | | | | | | | 16 (240) | 16 (240) | 10 (150) | 125 | 05 | NPT ⁽³⁾ | W290D16J5SA0000 | - | |
| 64 | 50 | 50 | 51 (59.1) | 850 | II(*) | 10 (150) | 7 (105) | 7 (105) | 7 (105) | 63 | 03 | G* | W290D1755SA0000 | W290D17T5SA0000 | |
| | | | 55.1 (63.8) | 918 | III(*) | | 13 (200) | 13 (200) | 10 (150) | 90 | 04 | NPT ⁽³⁾ | W290D1765SA0000 | W290D17U5SA0000 | |
| | | | 70.4 (81.6) | 1173 | IV(*) | | 16 (240) | 16 (240) | 10 (150) | 125 | 05 | G* | W290D17B5SA0000 | W290D17X5SA0000 | |
| | | | | | | | 16 (240) | 16 (240) | 10 (150) | 63 | 03 | NPT ⁽³⁾ | W290D17C5SA0000 | W290D17Y5SA0000 | |
| | | | | | | | 16 (240) | 16 (240) | 10 (150) | 90 | 04 | G* | W290D17H5SA0000 | - | |
| | | | | | | | 16 (240) | 16 (240) | 10 (150) | 125 | 05 | NPT ⁽³⁾ | W290D17J5SA0000 | - | |
| NC - Normally closed, entry above the disc (version recommended for rapid-cycling steam applications) | | | | | | | | | | | | | | | |
| 50.5 | 21 | 25 | 13.2 (15.3) | 220 | V(*) | 10 (150) | 10 (150) | - | 10 (150) | 50 | 02 | G* | W290D3435SA0000 | W290D34R5SA0000 | |
| | | | 15.9 (18.4) | 265 | VI(*) | | 10 (150) | 10 (150) | - | 10 (150) | 63 | 03 | NPT ⁽³⁾ | W290D3445SA0000 | W290D34S5SA0000 |
| | | | 28.3 (32.8) | 471 | VI(*) | | 10 (150) | 10 (150) | - | 10 (150) | 63 | 03 | G* | W290D3455SA0000 | W290D34T5SA0000 |
| | | | 25.4 (29.4) | 423 | VII(*) | | 10 (150) | 10 (150) | - | 10 (150) | 90 | 04 | NPT ⁽³⁾ | W290D3465SA0000 | W290D34U5SA0000 |
| | | | | | | | 10 (150) | 10 (150) | - | 10 (150) | 63 | 03 | G* | W290D3555SA0000 | W290D35T5SA0000 |
| | | | | | | | 10 (150) | 10 (150) | - | 10 (150) | 90 | 04 | NPT ⁽³⁾ | W290D3565SA0000 | W290D35U5SA0000 |
| 50.5 | 33 | 40 | 37.9 (44) | 631 | VI(*) | 10 (150) | 10 (150) | - | 10 (150) | 63 | 03 | G* | W290D35B5SA0000 | W290D35X5SA0000 | |
| | | | 31.9 (37) | 531 | VII(*) | | 10 (150) | 10 (150) | - | 10 (150) | 90 | 04 | NPT ⁽³⁾ | W290D35C5SA0000 | W290D35Y5SA0000 |
| | | | 56 (65) | 933 | VI(*) | | 10 (150) | 9 (135) | - | 9 (135) | 63 | 03 | G* | W290D3655SA0000 | W290D36T5SA0000 |
| | | | 49 (56.8) | 816 | VII(*) | | 10 (150) | 10 (150) | - | 10 (150) | 90 | 04 | NPT ⁽³⁾ | W290D3665SA0000 | W290D36U5SA0000 |
| | | | | | | | 10 (150) | 9 (135) | - | 9 (135) | 63 | 03 | G* | W290D36B5SA0000 | W290D36X5SA0000 |
| | | | | | | | 10 (150) | 10 (150) | - | 10 (150) | 90 | 04 | NPT ⁽³⁾ | W290D36C5SA0000 | W290D36Y5SA0000 |
| 64 | 46.5 | 50 | 56 (65) | 933 | VI(*) | 10 (150) | 9 (135) | - | 9 (135) | 63 | 03 | G* | W290D3755SA0000 | W290D37T5SA0000 | |
| | | | 49 (56.8) | 816 | VII(*) | | 10 (150) | 10 (150) | - | 10 (150) | 90 | 04 | NPT ⁽³⁾ | W290D3765SA0000 | W290D37U5SA0000 |
| | | | | | | | 10 (150) | 9 (135) | - | 9 (135) | 63 | 03 | G* | W290D37B5SA0000 | W290D37X5SA0000 |
| | | | | | | | 10 (150) | 10 (150) | - | 10 (150) | 90 | 04 | NPT ⁽³⁾ | W290D37C5SA0000 | W290D37Y5SA0000 |
| | | | | | | | 10 (150) | 9 (135) | - | 9 (135) | 63 | 03 | G* | W290D37H5SA0000 | - |
| | | | | | | | 10 (150) | 10 (150) | - | 10 (150) | 90 | 04 | NPT ⁽³⁾ | W290D37J5SA0000 | - |

(*) Ensure that compatibility of materials in contact with fluids is verified.
 (*) Minimum pilot pressure varies with differential pressure, see page 18
⁽¹⁾ Only with stainless steel actuator.
⁽²⁾ For dimensions, see drawing(s) for each construction type on the following page(s).
⁽³⁾ Plastic actuator: NPTF / Stainless steel actuator: NPT

01535GB-2021/R01 Availability, design and specifications are subject to change without notice. All rights reserved.

Specifications (Clamp DIN 32676 - A)

| O.D. of stub | I.D. of stub | DN | Flow coefficient | | Pilot pressure | | Operating pressure differential | | | Actuator diameter | Dimensions / Type ⁽¹⁾ | Piloting connection | Catalog number | |
|---|--------------|----|--------------------|-----------------------------|--------------------|-----------------|---------------------------------|----------|--------------------|-------------------|----------------------------------|---------------------|-------------------------|--|
| | | | | | | | bar (psi) | | | | | | Clamp DIN 32676 - A | |
| | | | Kv (Cv) | m ³ /h (gal/min) | l/min | bar (psi) | Min. | Max. | Air, inert gas (*) | | | | Water, oil, liquids (*) | Steam ⁽¹⁾ ≤ 140°C (≤ 284°F) (*) |
| NC - Normally closed, entry under the disc | | | | | | | | | | | | | | |
| 34 | 15 | 15 | 5.4 (6.2) | 90 | 4.5 (70) | 10 (150) | 16 (240) | 16 (240) | 10 (150) | 50 | 02 | G* | W290D0234SA0000 | W290D02R4SA0000 |
| | | | | | NPT ⁽³⁾ | W290D0244SA0000 | W290D02S4SA0000 | | | | | | | |
| | | | | | 2.8 (45) | 10 (150) | 16 (240) | 16 (240) | 10 (150) | 63 | 03 | G* | W290D0254SA0000 | W290D02T4SA0000 |
| | | | | | NPT ⁽³⁾ | W290D0264SA0000 | W290D02U4SA0000 | | | | | | | |
| 34 | 15 | 20 | 6.8 (7.9) | 113 | 4.5 (70) | 10 (150) | 10 (150) | 10 (150) | 10 (150) | 50 | 02 | G* | W290D0334SA0000 | W290D03R4SA0000 |
| | | | | | NPT ⁽³⁾ | W290D0344SA0000 | W290D03S4SA0000 | | | | | | | |
| | | | | | 4.5 (70) | 10 (150) | 16 (240) | 16 (240) | 10 (150) | 63 | 03 | G* | W290D0354SA0000 | W290D03T4SA0000 |
| | | | | | NPT ⁽³⁾ | W290D0364SA0000 | W290D03U4SA0000 | | | | | | | |
| | | | | | 2.8 (45) | 10 (150) | 12 (180) | 12 (180) | 10 (150) | 63 | 03 | G* | W290D7354SA0000 | W290D73T4SA0000 |
| | | | | | NPT ⁽³⁾ | W290D7364SA0000 | W290D73U4SA0000 | | | | | | | |
| 50.5 | 21 | 25 | 12.9 (15) | 215 | 4.5 (70) | 10 (150) | 6 (90) | 6 (90) | 6 (90) | 50 | 02 | G* | W290D0434SA0000 | W290D04R4SA0000 |
| | | | NPT ⁽³⁾ | W290D0444SA0000 | W290D04S4SA0000 | | | | | | | | | |
| | | | 14.9 (17.3) | 248 | 4.5 (70) | 10 (150) | 10 (150) | 10 (150) | 10 (150) | 63 | 03 | G* | W290D0454SA0000 | W290D04T4SA0000 |
| | | | NPT ⁽³⁾ | W290D0464SA0000 | W290D04U4SA0000 | | | | | | | | | |
| | | | 15.4 (17.8) | 256 | 4.5 (70) | 10 (150) | 16 (240) | 16 (240) | 10 (150) | 90 | 04 | G* | W290D04B4SA0000 | W290D04X4SA0000 |
| | | | NPT ⁽³⁾ | W290D04C4SA0000 | W290D04Y4SA0000 | | | | | | | | | |
| | | | 14.9 (17.3) | 248 | 2.8 (45) | 10 (150) | 6 (90) | 6 (90) | 6 (90) | 63 | 03 | G* | W290D7454SA0000 | W290D74T4SA0000 |
| | | | NPT ⁽³⁾ | W290D7464SA0000 | W290D74U4SA0000 | | | | | | | | | |
| | | | 15.4 (17.8) | 256 | 2.8 (45) | 10 (150) | 12 (180) | 12 (180) | 10 (150) | 90 | 04 | G* | W290D74B4SA0000 | W290D74X4SA0000 |
| | | | NPT ⁽³⁾ | W290D74C4SA0000 | W290D74Y4SA0000 | | | | | | | | | |
| 50.5 | 30.3 | 32 | 27.3 (31.6) | 455 | 4.5 (70) | 10 (150) | 6 (90) | 6 (90) | 6 (90) | 63 | 03 | G* | W290D0554SA0000 | W290D05T4SA0000 |
| | | | NPT ⁽³⁾ | W290D0564SA0000 | W290D05U4SA0000 | | | | | | | | | |
| | | | 28.5 (33) | 475 | 4.5 (70) | 10 (150) | 12 (180) | 12 (180) | 10 (150) | 90 | 04 | G* | W290D05B4SA0000 | W290D05X4SA0000 |
| | | | NPT ⁽³⁾ | W290D05C4SA0000 | W290D05Y4SA0000 | | | | | | | | | |
| | | | 27.3 (31.6) | 455 | 2.8 (45) | 10 (150) | 3 (45) | 3 (45) | 3 (45) | 63 | 03 | G* | W290D7554SA0000 | W290D75T4SA0000 |
| | | | NPT ⁽³⁾ | W290D7564SA0000 | W290D75U4SA0000 | | | | | | | | | |
| | | | 28.5 (33) | 475 | 2.8 (45) | 10 (150) | 7 (105) | 7 (105) | 7 (105) | 90 | 04 | G* | W290D75B4SA0000 | W290D75X4SA0000 |
| | | | NPT ⁽³⁾ | W290D75C4SA0000 | W290D75Y4SA0000 | | | | | | | | | |
| | | | 32.3 (37.5) | 538 | 4 (60) | 10 (150) | 16 (240) | 16 (240) | 10 (150) | 125 | 05 | G* | W290D05H4SA0000 | - |
| | | | NPT ⁽³⁾ | W290D05J4SA0000 | - | | | | | | | | | |
| 50.5 | 33 | 40 | 33.7 (39) | 561 | 4.5 (70) | 10 (150) | 4 (60) | 4 (60) | 4 (60) | 63 | 03 | G* | W290D0654SA0000 | W290D06T4SA0000 |
| | | | NPT ⁽³⁾ | W290D0664SA0000 | W290D06U4SA0000 | | | | | | | | | |
| | | | 35.4 (41) | 590 | 4.5 (70) | 10 (150) | 8 (120) | 8 (120) | 8 (120) | 90 | 04 | G* | W290D06B4SA0000 | W290D06X4SA0000 |
| | | | NPT ⁽³⁾ | W290D06C4SA0000 | W290D06Y4SA0000 | | | | | | | | | |
| | | | 40.2 (46.6) | 670 | 4 (60) | 10 (150) | 16 (240) | 16 (240) | 10 (150) | 125 | 05 | G* | W290D06H4SA0000 | - |
| | | | NPT ⁽³⁾ | W290D06J4SA0000 | - | | | | | | | | | |
| | | | 35.4 (41) | 590 | 2.8 (45) | 10 (150) | 4 (58) | 4 (58) | 4 (58) | 90 | 04 | G* | W290D76B4SA0000 | W290D76X4SA0000 |
| | | | NPT ⁽³⁾ | W290D76C4SA0000 | W290D76Y4SA0000 | | | | | | | | | |
| | | | 40.2 (46.6) | 670 | 2.5 (40) | 10 (150) | 10 (150) | 10 (150) | 10 (150) | 125 | 05 | G* | W290D76H4SA0000 | - |
| | | | NPT ⁽³⁾ | W290D76J4SA0000 | - | | | | | | | | | |

(*) Ensure that compatibility of materials in contact with fluids is verified.
⁽¹⁾ Only with stainless steel actuator.
⁽²⁾ For dimensions, see drawing(s) for each construction type on the following page(s).
⁽³⁾ Plastic actuator: NPTF / Stainless steel actuator: NPT

Specifications (Clamp DIN 32676 - A)

| O.D. of stub | I.D. of stub | DN | Flow coefficient | | Pilot pressure | | Operating pressure differential | | | Actuator diameter / Dimensions / Type ⁽¹⁾ | Piloting connection | Catalog number | | |
|---|--------------|-------|------------------|-------------------------------------|----------------|----------|---------------------------------|-------------------------|--|--|---------------------|---------------------|--------------------------|-----------------|
| | | | Kv (Cv) | m ³ /h (gal/min) (l/min) | bar (psi) | | bar (psi) | | | | | Clamp DIN 32676 - A | | |
| | | | | | Min. | Max. | Air, inert gas (*) | Water, oil, liquids (*) | Steam ⁽¹⁾ ≤ 140°C (≤ 284°F) (*) | | | Plastic actuator | Stainless steel actuator | |
| 64 | 46.5 | 50 | 51 (59.1) | 850 | 4.5 (70) | 10 (150) | 2.5 (40) | 2.5 (40) | 2.5 (40) | 63 | 03 | G* | W290D0754SA0000 | W290D07T4SA0000 |
| | | | | | | | | | | | | NPT ⁽³⁾ | W290D0764SA0000 | W290D07U4SA0000 |
| | | | 55.1 (63.8) | 918 | 4.5 (70) | 10 (150) | 6 (90) | 6 (90) | 6 (90) | 90 | 04 | G* | W290D07B4SA0000 | W290D07X4SA0000 |
| | | | | | | | | | | | | NPT ⁽³⁾ | W290D07C4SA0000 | W290D07Y4SA0000 |
| | | | 70.4 (81.6) | 1173 | 4 (60) | 10 (150) | 10 (150) | 10 (150) | 10 (150) | 125 | 05 | G* | W290D07H4SA0000 | - |
| | | | | | | | | | | | | NPT ⁽³⁾ | W290D07J4SA0000 | - |
| | | | | | | | | | | | | G* | W290D77H4SA0000 | - |
| | | | | | | | | | | | | NPT ⁽³⁾ | W290D77J4SA0000 | - |
| NO - Normally open, entry under the disc | | | | | | | | | | | | | | |
| 34 | 15 | 15 | 5.4 (6.2) | 90 | I(*) | 10 (150) | 16 (240) | 16 (240) | 10 (150) | 50 | 02 | G* | W290D1234SA0000 | W290D12R4SA0000 |
| | | | | | | | | | | | | NPT ⁽³⁾ | W290D1244SA0000 | W290D12S4SA0000 |
| | | | | | II(*) | | | | | | | G* | W290D1254SA0000 | W290D12T4SA0000 |
| | | | | | | | | | | | | NPT ⁽³⁾ | W290D1264SA0000 | W290D12U4SA0000 |
| 34 | 15 | 20 | 6.8 (7.9) | 113 | I(*) | 10 (150) | 16 (240) | 16 (240) | 10 (150) | 50 | 02 | G* | W290D1334SA0000 | W290D13R4SA0000 |
| | | | | | | | | | | | | NPT ⁽³⁾ | W290D1344SA0000 | W290D13S4SA0000 |
| | | | | | II(*) | | | | | | | G* | W290D1354SA0000 | W290D13T4SA0000 |
| | | | | | | | | | | | | NPT ⁽³⁾ | W290D1364SA0000 | W290D13U4SA0000 |
| 50.5 | 21 | 25 | 12.9 (15) | 215 | I(*) | 10 (150) | 16 (240) | 16 (240) | 10 (150) | 50 | 02 | G* | W290D1434SA0000 | W290D14R4SA0000 |
| | | | | | | | | | | | | NPT ⁽³⁾ | W290D1444SA0000 | W290D14S4SA0000 |
| | | | 14.9 (17.3) | 248 | II(*) | | | | | | | | | G* |
| | | | 15.4 (17.8) | 256 | III(*) | | | | | | | NPT ⁽³⁾ | W290D1464SA0000 | W290D14U4SA0000 |
| | | | | | | | | | | | | G* | W290D14B4SA0000 | W290D14X4SA0000 |
| | | | | | | | | | | | | NPT ⁽³⁾ | W290D14C4SA0000 | W290D14Y4SA0000 |
| 50.5 | 30.3 | 32 | 27.3 (31.6) | 455 | II(*) | 10 (150) | 16 (240) | 16 (240) | 10 (150) | 63 | 03 | G* | W290D1554SA0000 | W290D15T4SA0000 |
| | | | | | | | | | | | | NPT ⁽³⁾ | W290D1564SA0000 | W290D15U4SA0000 |
| | | | 28.5 (33) | 475 | III(*) | | | | | | | | | G* |
| | | | 32.3 (37.4) | 538 | IV(*) | | | | | | | NPT ⁽³⁾ | W290D15C4SA0000 | W290D15Y4SA0000 |
| | | | | | | | | | | | | G* | W290D15H4SA0000 | - |
| | | | | | | | | | | | | NPT ⁽³⁾ | W290D15J4SA0000 | - |
| 50.5 | 33 | 40 | 33.7 (39) | 561 | II(*) | 10 (150) | 11 (160) | 11 (160) | 10 (150) | 63 | 03 | G* | W290D1654SA0000 | W290D16T4SA0000 |
| | | | | | | | | | | | | NPT ⁽³⁾ | W290D1664SA0000 | W290D16U4SA0000 |
| | | | 35.4 (41) | 590 | III(*) | | | | | | | | | G* |
| | | | 40.2 (46.6) | 670 | IV(*) | | | | | | | NPT ⁽³⁾ | W290D16C4SA0000 | W290D16Y4SA0000 |
| | | | | | | | | | | | | G* | W290D16H4SA0000 | - |
| | | | | | | | | | | | | NPT ⁽³⁾ | W290D16J4SA0000 | - |
| 64 | 46.5 | 50 | 51 (59.1) | 850 | II(*) | 10 (150) | 7 (105) | 7 (105) | 7 (105) | 63 | 03 | G* | W290D1754SA0000 | W290D17T4SA0000 |
| | | | | | | | | | | | | NPT ⁽³⁾ | W290D1764SA0000 | W290D17U4SA0000 |
| | | | 55.1 (63.8) | 918 | III(*) | 13 (200) | 13 (200) | 10 (150) | 90 | 04 | G* | W290D17B4SA0000 | W290D17X4SA0000 | |
| | | | | | | | | | | | NPT ⁽³⁾ | W290D17C4SA0000 | W290D17Y4SA0000 | |
| 70.4 (81.6) | 1173 | IV(*) | 16 (240) | 16 (240) | 10 (150) | 125 | 05 | G* | W290D17H4SA0000 | - | | | | |
| | | | | | | | | NPT ⁽³⁾ | W290D17J4SA0000 | - | | | | |

(*) Ensure that compatibility of materials in contact with fluids is verified.

(*) Minimum pilot pressure varies with differential pressure, see page 18

⁽¹⁾ Only with stainless steel actuator.

⁽²⁾ For dimensions, see drawing(s) for each construction type on the following page(s).

⁽³⁾ Plastic actuator: NPTF / Stainless steel actuator: NPT

01535GB-2021/R01 Availability, design and specifications are subject to change without notice. All rights reserved.

Specifications (Clamp DIN 32676 - A)

| O.D. of stub | I.D. of stub | DN | Flow coefficient | | Pilot pressure | | Operating pressure differential | | | Actuator diameter | Dimensions / Type ⁽¹⁾ | Piloting connection | Catalog number | |
|--|--------------|----|--------------------|-----------------|--------------------|-----------------|---------------------------------|--------------------|-------------------------|-------------------|----------------------------------|---------------------|--|------------------|
| | | | | | | | bar (psi) | | | | | | Clamp DIN 32676 - A | |
| | | | Kv (Cv) | (l/min) | bar (psi) | Min. | Max. | Air, inert gas (*) | Water, oil, liquids (*) | | | | Steam ⁽¹⁾ ≤ 140°C (≤ 284°F) (*) | Plastic actuator |
| NC - Normally closed, entry above the disc (version recommended for rapid-cycling steam applications) | | | | | | | | | | | | | | |
| 34 | 15 | 15 | 4.8 (5.5) | 80 | V(*) | 10 (150) | 10 (150) | - | 10 (150) | 50 | 02 | G* | W290D3234SA0000 | W290D32R4SA0000 |
| | | | | | NPT ⁽³⁾ | W290D3244SA0000 | W290D32S4SA0000 | | | | | | | |
| | | | | | VI(*) | 10 (150) | 10 (150) | - | 10 (150) | 63 | 03 | G* | W290D3254SA0000 | W290D32T4SA0000 |
| | | | | | NPT ⁽³⁾ | W290D3264SA0000 | W290D32U4SA0000 | | | | | | | |
| 34 | 15 | 20 | 7.2 (8.3) | 120 | V(*) | 10 (150) | 10 (150) | - | 10 (150) | 50 | 02 | G* | W290D3334SA0000 | W290D33R4SA0000 |
| | | | | | NPT ⁽³⁾ | W290D3344SA0000 | W290D33S4SA0000 | | | | | | | |
| | | | | | VI(*) | 10 (150) | 10 (150) | - | 10 (150) | 63 | 03 | G* | W290D3354SA0000 | W290D33T4SA0000 |
| | | | | | NPT ⁽³⁾ | W290D3364SA0000 | W290D33U4SA0000 | | | | | | | |
| 50.5 | 21 | 25 | 13.2 (15.3) | 220 | V(*) | 10 (150) | 10 (150) | - | 10 (150) | 50 | 02 | G* | W290D3434SA0000 | W290D34R4SA0000 |
| | | | NPT ⁽³⁾ | W290D3444SA0000 | W290D34S4SA0000 | | | | | | | | | |
| | | | 15.9 (18.4) | 265 | VI(*) | 10 (150) | 10 (150) | - | 10 (150) | 63 | 03 | G* | W290D3454SA0000 | W290D34T4SA0000 |
| | | | NPT ⁽³⁾ | W290D3464SA0000 | W290D34U4SA0000 | | | | | | | | | |
| 50.5 | 30.3 | 32 | 28.3 (32.8) | 471 | VI(*) | 10 (150) | 10 (150) | - | 10 (150) | 63 | 03 | G* | W290D3554SA0000 | W290D35T4SA0000 |
| | | | NPT ⁽³⁾ | W290D3564SA0000 | W290D35U4SA0000 | | | | | | | | | |
| | | | 25.4 (29.4) | 423 | VII(*) | 10 (150) | 10 (150) | - | 10 (150) | 90 | 04 | G* | W290D35B4SA0000 | W290D35X4SA0000 |
| | | | NPT ⁽³⁾ | W290D35C4SA0000 | W290D35Y4SA0000 | | | | | | | | | |
| 50.5 | 33 | 40 | 37.9 (44) | 631 | VI(*) | 10 (150) | 10 (150) | - | 10 (150) | 63 | 03 | G* | W290D3654SA0000 | W290D36T4SA0000 |
| | | | NPT ⁽³⁾ | W290D3664SA0000 | W290D36U4SA0000 | | | | | | | | | |
| | | | 31.9 (37) | 531 | VII(*) | 10 (150) | 10 (150) | - | 10 (150) | 90 | 04 | G* | W290D36B4SA0000 | W290D36X4SA0000 |
| | | | NPT ⁽³⁾ | W290D36C4SA0000 | W290D36Y4SA0000 | | | | | | | | | |
| 64 | 46.5 | 50 | 56 (65) | 933 | VI(*) | 10 (150) | 9 (135) | - | 9 (135) | 63 | 03 | G* | W290D3754SA0000 | W290D37T4SA0000 |
| | | | NPT ⁽³⁾ | W290D3764SA0000 | W290D37U4SA0000 | | | | | | | | | |
| | | | 49 (56.8) | 816 | VII(*) | 10 (150) | 10 (150) | - | 10 (150) | 90 | 04 | G* | W290D37B4SA0000 | W290D37X4SA0000 |
| | | | NPT ⁽³⁾ | W290D37C4SA0000 | W290D37Y4SA0000 | | | | | | | | | |

(*) Ensure that compatibility of materials in contact with fluids is verified.
 (*) Minimum pilot pressure varies with differential pressure, see page 18
⁽¹⁾ Only with stainless steel actuator.
⁽²⁾ For dimensions, see drawing(s) for each construction type on the following page(s).
⁽³⁾ Plastic actuator: NPTF / Stainless steel actuator: NPT

Specifications (Clamp ASME BPE)

| O.D. of stub | I.D. of stub | DN | Flow coefficient | | Pilot pressure | | Operating pressure differential | | | Actuator diameter / Dimensions / Type ⁽¹⁾ | Piloting connection | Catalog number | | |
|---|--------------|-------------|------------------|---------|----------------|--------------|---------------------------------|-------------------------|---|--|------------------------------------|------------------------------------|------------------------------------|------------------------------------|
| | | | Kv (Cv) | (l/min) | bar (psi) | | Air, inert gas (*) | Water, oil, liquids (*) | Steam ⁽¹⁾ ≤ 140°C (≤ 284°F) (*) | | | Clamp ASME BPE | | |
| | | | | | Min. | Max. | | | | | | Plastic actuator | Stainless steel actuator | |
| NC - Normally closed, entry under the disc | | | | | | | | | | | | | | |
| 25 | 7 | 10 | 1.9 (2.2) | 31 | 4.7 (75) | 10 (150) | 16 (240) | 16 (240) | 10 (150) | 32 | 01 | G* NPT | W290D0116SA0000 W290D0126SA0000 | W290D01P6SA0000 W290D01Q6SA0000 |
| 25 | 9 | 15 | 2.5 (2.9) | 41 | 4.7 (75) | 10 (150) | 10 (150) | 10 (150) | 10 (150) | 32 | 01 | G* NPT | W290D0216SA0000 W290D0226SA0000 | W290D02P6SA0000 W290D02Q6SA0000 |
| | | | 2.6 (3) | 43 | 4.5 (70) | 10 (150) | 16 (240) | 16 (240) | 10 (150) | 50 | 02 | G* NPT ⁽³⁾ | W290D0236SA0000 W290D0246SA0000 | W290D02R6SA0000 W290D02S6SA0000 |
| | | | | | 2.8 (45) | 10 (150) | 16 (240) | 16 (240) | 10 (150) | 63 | 03 | G* NPT ⁽³⁾ | W290D0256SA0000 W290D0266SA0000 | W290D02T6SA0000 W290D02U6SA0000 |
| | | | 25 | 15 | 20 | 4.7 (5.4) | 78 | 4.7 (75) | 10 (150) | 6 (90) | 6 (90) | 6 (90) | 32 | 01 |
| 6.8 (7.9) | 113 | 4.5 (70) | | | | 10 (150) | 10 (150) | 10 (150) | 10 (150) | 50 | 02 | G* NPT ⁽³⁾ | W290D0336SA0000 W290D0346SA0000 | W290D03R6SA0000 W290D03S6SA0000 |
| | | 4.5 (70) | | | | 10 (150) | 16 (240) | 16 (240) | 10 (150) | 63 | 03 | G* NPT ⁽³⁾ | W290D0356SA0000 W290D0366SA0000 | W290D03T6SA0000 W290D03U6SA0000 |
| 2.8 (45) | 10 (150) | 12 (180) | | | | 12 (180) | 10 (150) | 63 | 03 | G* NPT ⁽³⁾ | W290D7356SA0000 W290D7366SA0000 | W290D73T6SA0000 W290D73U6SA0000 | | |
| 50.39 | 21 | 25 | 12.9 (15) | 215 | 4.5 (70) | 10 (150) | 6 (90) | 6 (90) | 6 (90) | 50 | 02 | G* NPT ⁽³⁾ | W290D0436SA0000 W290D0446SA0000 | W290D04R6SA0000 W290D04S6SA0000 |
| | | | 14.9 (17.2) | 248 | 4.5 (70) | 10 (150) | 10 (150) | 10 (150) | 10 (150) | 63 | 03 | G* NPT ⁽³⁾ | W290D0456SA0000 W290D0466SA0000 | W290D04T6SA0000 W290D04U6SA0000 |
| | | | 15.4 (17.8) | 256 | 4.5 (70) | 10 (150) | 16 (240) | 16 (240) | 10 (150) | 90 | 04 | G* NPT ⁽³⁾ | W290D04B6SA0000 W290D04C6SA0000 | W290D04X6SA0000 W290D04Y6SA0000 |
| | | | 14.9 (17.2) | 248 | 2.8 (45) | 10 (150) | 6 (90) | 6 (90) | 6 (90) | 63 | 03 | G* NPT ⁽³⁾ | W290D7456SA0000 W290D7466SA0000 | W290D74T6SA0000 W290D74U6SA0000 |
| | | | 15.4 (17.8) | 256 | 2.8 (45) | 10 (150) | 12 (180) | 12 (180) | 10 (150) | 90 | 04 | G* NPT ⁽³⁾ | W290D74B6SA0000 W290D74C6SA0000 | W290D74X6SA0000 W290D74Y6SA0000 |
| | | | 33.7 (39) | 561 | 4.5 (70) | 10 (150) | 4 (60) | 4 (60) | 4 (60) | 63 | 03 | G* NPT ⁽³⁾ | W290D0656SA0000 W290D0666SA0000 | W290D06T6SA0000 W290D06U6SA0000 |
| 50.39 | 33 | 40 | 35.4 (41) | 590 | 4.5 (70) | 10 (150) | 8 (120) | 8 (120) | 8 (120) | 90 | 04 | G* NPT ⁽³⁾ | W290D06B6SA0000 W290D06C6SA0000 | W290D06X6SA0000 W290D06Y6SA0000 |
| | | | 40.2 (46.6) | 670 | 4 (60) | 10 (150) | 16 (240) | 16 (240) | 10 (150) | 125 | 05 | G* NPT ⁽³⁾ | W290D06H6SA0000 W290D06J6SA0000 | - - |
| | | | 35.4 (41) | 590 | 2.8 (45) | 10 (150) | 4 (58) | 4 (58) | 4 (58) | 90 | 04 | G* NPT ⁽³⁾ | W290D76B6SA0000 W290D76C6SA0000 | W290D76X6SA0000 W290D76Y6SA0000 |
| | | | 40.2 (46.6) | 670 | 2.5 (40) | 10 (150) | 10 (150) | 10 (150) | 10 (150) | 125 | 05 | G* NPT ⁽³⁾ | W290D76H6SA0000 W290D76J6SA0000 | - - |
| | | | 51 (59.1) | 850 | 4.5 (70) | 10 (150) | 2.5 (40) | 2.5 (40) | 2.5 (40) | 63 | 03 | G* NPT ⁽³⁾ | W290D0756SA0000 W290D0766SA0000 | W290D07T6SA0000 W290D07U6SA0000 |
| | | | 55.1 (63.8) | 918 | 4.5 (70) | 10 (150) | 6 (90) | 6 (90) | 6 (90) | 90 | 04 | G* NPT ⁽³⁾ | W290D07B6SA0000 W290D07C6SA0000 | W290D07X6SA0000 W290D07Y6SA0000 |
| 63.91 | 46.5 | 50 | 70.4 (81.6) | 1173 | 4 (60) | 10 (150) | 10 (150) | 10 (150) | 10 (150) | 125 | 05 | G* NPT ⁽³⁾ | W290D07H6SA0000 W290D07J6SA0000 | - - |
| | | | | | 2.5 (40) | 10 (150) | 5 (75) | 5 (75) | 5 (75) | 125 | 05 | G* NPT ⁽³⁾ | W290D77H6SA0000 W290D77J6SA0000 | - - |

(*) Ensure that compatibility of materials in contact with fluids is verified.

⁽¹⁾ Only with stainless steel actuator.

⁽²⁾ For dimensions, see drawing(s) for each construction type on the following page(s).

⁽³⁾ Plastic actuator: NPTF / Stainless steel actuator: NPT

01535GB-2021/R01 Availability, design and specifications are subject to change without notice. All rights reserved.

Specifications (Clamp ASME BPE)

| O.D. of stub | I.D. of stub | DN | Flow coefficient | | Pilot pressure | | Operating pressure differential | | | Actuator diameter | Dimensions / Type (1) | Pilot connection | Catalog number | | | | |
|---|--------------|----|------------------|----------------|----------------|----------|---------------------------------|--------------------|-------------------------|-------------------|-----------------------|------------------|---------------------------------|-----------------|------------------|--------------------------|-----------------|
| | | | | | | | bar (psi) | | | | | | Clamp ASME BPE | | | | |
| | | | Kv (Cv) | m³/h (gal/min) | l/min | Min. | Max. | Air, inert gas (*) | Water, oil, liquids (*) | | | | Steam (1) ≤ 140°C (≤ 284°F) (*) | (mm) | Plastic actuator | Stainless steel actuator | |
| NO - Normally open, entry under the disc | | | | | | | | | | | | | | | | | |
| 25 | 7 | 10 | 1.9 (2.2) | 31 | IX (*) | 10 (150) | 16 (240) | 16 (240) | 10 (150) | 32 | 01 | G* | W290D1116SA0000 | W290D11P6SA0000 | | | |
| | | | | | | | | | | | | NPT (3) | W290D1126SA0000 | W290D11Q6SA0000 | | | |
| 25 | 9 | 15 | 2.5 (2.9) | 41 | IX (*) | 10 (150) | 16 (240) | 16 (240) | 10 (150) | 32 | 01 | G* | W290D1216SA0000 | W290D12P6SA0000 | | | |
| | | | | | | | | | | | | | NPT (3) | W290D1226SA0000 | W290D12Q6SA0000 | | |
| | | | 2.6 (3) | 43 | I (*) | 10 (150) | 16 (240) | 16 (240) | 10 (150) | 50 | 02 | G* | W290D1236SA0000 | W290D12R6SA0000 | | | |
| | | | | | II (*) | 10 (150) | 16 (240) | 16 (240) | 10 (150) | 63 | 03 | G* | W290D1246SA0000 | W290D12S6SA0000 | | | |
| | | | | | | | | | | | | NPT (3) | W290D1256SA0000 | W290D12T6SA0000 | | | |
| | | | | | | | | | | | | | G* | W290D1266SA0000 | W290D12U6SA0000 | | |
| 25 | 15 | 20 | 4.7 (5.4) | 78 | IX (*) | 10 (150) | 16 (240) | 16 (240) | 10 (150) | 32 | 01 | G* | W290D1316SA0000 | W290D13P6SA0000 | | | |
| | | | | | | | | | | | | | NPT (3) | W290D1326SA0000 | W290D13Q6SA0000 | | |
| | | | 6.8 (7.9) | 113 | I (*) | 10 (150) | 16 (240) | 16 (240) | 10 (150) | 50 | 02 | G* | W290D1336SA0000 | W290D13R6SA0000 | | | |
| | | | | | II (*) | 10 (150) | 16 (240) | 16 (240) | 10 (150) | 63 | 03 | G* | W290D1346SA0000 | W290D13S6SA0000 | | | |
| | | | | | | | | | | | | | | | NPT (3) | W290D1356SA0000 | W290D13T6SA0000 |
| | | | | | | | | | | | | | | | | G* | W290D1366SA0000 |
| 50.39 | 21 | 25 | 12.9 (15) | 215 | I (*) | 10 (150) | 16 (240) | 16 (240) | 10 (150) | 50 | 02 | G* | W290D1436SA0000 | W290D14R6SA0000 | | | |
| | | | | | | | | | | | | | | NPT (3) | W290D1446SA0000 | W290D14S6SA0000 | |
| | | | 14.9 (17.2) | 248 | II (*) | 10 (150) | 16 (240) | 16 (240) | 10 (150) | 63 | 03 | G* | W290D1456SA0000 | W290D14T6SA0000 | | | |
| | | | | | | | | | | | | | | | NPT (3) | W290D1466SA0000 | W290D14U6SA0000 |
| | | | 15.4 (17.8) | 256 | III (*) | 10 (150) | 16 (240) | 16 (240) | 10 (150) | 90 | 04 | G* | W290D14B6SA0000 | W290D14X6SA0000 | | | |
| | | | | | | | | | | | | | | | NPT (3) | W290D14C6SA0000 | W290D14Y6SA0000 |
| 50.39 | 33 | 40 | 33.7 (39) | 561 | II (*) | 10 (150) | 11 (160) | 11 (160) | 10 (150) | 63 | 03 | G* | W290D1656SA0000 | W290D16T6SA0000 | | | |
| | | | | | | | | | | | | | | NPT (3) | W290D1666SA0000 | W290D16U6SA0000 | |
| | | | 35.4 (41) | 590 | III (*) | 10 (150) | 16 (240) | 16 (240) | 10 (150) | 90 | 04 | G* | W290D16B6SA0000 | W290D16X6SA0000 | | | |
| | | | | | | | | | | | | | | | NPT (3) | W290D16C6SA0000 | W290D16Y6SA0000 |
| | | | 40.2 (46.6) | 670 | IV (*) | 10 (150) | 16 (240) | 16 (240) | 10 (150) | 125 | 05 | G* | W290D16H6SA0000 | - | | | |
| | | | | | | | | | | | | | | | NPT (3) | W290D16J6SA0000 | - |
| 63.91 | 46.5 | 50 | 51 (59.1) | 850 | II (*) | 10 (150) | 7 (105) | 7 (105) | 7 (105) | 63 | 03 | G* | W290D1756SA0000 | W290D17T6SA0000 | | | |
| | | | | | | | | | | | | | | NPT (3) | W290D1766SA0000 | W290D17U6SA0000 | |
| | | | 55.1 (63.8) | 918 | III (*) | 10 (150) | 13 (200) | 13 (200) | 10 (150) | 90 | 04 | G* | W290D17B6SA0000 | W290D17X6SA0000 | | | |
| | | | | | | | | | | | | | | | NPT (3) | W290D17C6SA0000 | W290D17Y6SA0000 |
| | | | 70.4 (81.6) | 1173 | IV (*) | 10 (150) | 16 (240) | 16 (240) | 10 (150) | 125 | 05 | G* | W290D17H6SA0000 | - | | | |
| | | | | | | | | | | | | | | | NPT (3) | W290D17J6SA0000 | - |

(*) Ensure that compatibility of materials in contact with fluids is verified.
 (*) Minimum pilot pressure varies with differential pressure, see page 18
 (1) Only with stainless steel actuator.
 (2) For dimensions, see drawing(s) for each construction type on the following page(s).
 (3) Plastic actuator: NPTF / Stainless steel actuator: NPT

Specifications (Clamp ASME BPE)

| O.D. of stub | I.D. of stub | DN | Flow coefficient | | Pilot pressure | | Operating pressure differential | | | Actuator diameter / Dimensions / Type ⁽¹⁾ | Piloting connection | Catalog number | | | |
|--|--------------|----|------------------|-------------------------------------|----------------|----------|---------------------------------|-------------------------|--|--|---------------------|--------------------|--------------------------|-----------------|-----------------|
| | | | Kv (Cv) | m ³ /h (gal/min) (l/min) | bar (psi) | | Air, inert gas (*) | Water, oil, liquids (*) | Steam ⁽¹⁾ ≤ 140°C (≤ 284°F) (*) | | | Clamp ASME BPE | | | |
| | | | | | Min. | Max. | | | | | | Plastic actuator | Stainless steel actuator | | |
| NC - Normally closed, entry above the disc (version recommended for rapid-cycling steam applications) | | | | | | | | | | | | | | | |
| 25 | 7 | 10 | 2 (2.3) | 33 | X(*) | 10 (150) | 10 (150) | - | 10 (150) | 32 | 01 | G* | W290D3116SA0000 | W290D31P6SA0000 | |
| | | | | | | | | | | | | | NPT | W290D3126SA0000 | W290D31Q6SA0000 |
| 25 | 9 | 15 | 2.7 (3.1) | 45 | X(*) | 10 (150) | 10 (150) | - | 10 (150) | 32 | 01 | G* | W290D3216SA0000 | W290D32P6SA0000 | |
| | | | | | | | | | | | | | NPT | W290D3226SA0000 | W290D32Q6SA0000 |
| | | | 2.5 (2.9) | 41 | V(*) | 10 (150) | 10 (150) | - | 10 (150) | 50 | 02 | G* | W290D3236SA0000 | W290D32R6SA0000 | |
| | | | | | | | | | | | | | NPT ⁽³⁾ | W290D3246SA0000 | W290D32S6SA0000 |
| | | | 2.5 (2.9) | 41 | VI(*) | 10 (150) | 10 (150) | - | 10 (150) | 63 | 03 | G* | W290D3256SA0000 | W290D32T6SA0000 | |
| | | | | | | | | | | | | NPT ⁽³⁾ | W290D3266SA0000 | W290D32U6SA0000 | |
| 25 | 15 | 20 | 5 (5.8) | 83 | X(*) | 10 (150) | 10 (150) | - | 10 (150) | 32 | 01 | G* | W290D3316SA0000 | W290D33P6SA0000 | |
| | | | | | | | | | | | | | NPT | W290D3326SA0000 | W290D33Q6SA0000 |
| | | | 7.2 (8.3) | 120 | V(*) | 10 (150) | 10 (150) | - | 10 (150) | 50 | 02 | G* | W290D3336SA0000 | W290D33R6SA0000 | |
| | | | | | | | | | | | | | NPT ⁽³⁾ | W290D3346SA0000 | W290D33S6SA0000 |
| | | | 7.2 (8.3) | 120 | VI(*) | 10 (150) | 10 (150) | - | 10 (150) | 63 | 03 | G* | W290D3356SA0000 | W290D33T6SA0000 | |
| | | | | | | | | | | | | NPT ⁽³⁾ | W290D3366SA0000 | W290D33U6SA0000 | |
| 50.39 | 21 | 25 | 13.2 (15.3) | 220 | V(*) | 10 (150) | 10 (150) | - | 10 (150) | 50 | 02 | G* | W290D3436SA0000 | W290D34R6SA0000 | |
| | | | | | | | | | | | | | NPT ⁽³⁾ | W290D3446SA0000 | W290D34S6SA0000 |
| | | | 15.9 (18.4) | 265 | VI(*) | 10 (150) | 10 (150) | - | 10 (150) | 63 | 03 | G* | W290D3456SA0000 | W290D34T6SA0000 | |
| | | | | | | | | | | | | NPT ⁽³⁾ | W290D3466SA0000 | W290D34U6SA0000 | |
| 50.39 | 33 | 40 | 37.9 (44) | 631 | VI(*) | 10 (150) | 10 (150) | - | 10 (150) | 63 | 03 | G* | W290D3656SA0000 | W290D36T6SA0000 | |
| | | | | | | | | | | | | | NPT ⁽³⁾ | W290D3666SA0000 | W290D36U6SA0000 |
| | | | 31.9 (37) | 531 | VII(*) | 10 (150) | 10 (150) | - | 10 (150) | 90 | 04 | G* | W290D36B6SA0000 | W290D36X6SA0000 | |
| | | | | | | | | | | | | NPT ⁽³⁾ | W290D36C6SA0000 | W290D36Y6SA0000 | |
| 63.91 | 46.5 | 50 | 56 (65) | 933 | VI(*) | 10 (150) | 9 (135) | - | 9 (135) | 63 | 03 | G* | W290D3756SA0000 | W290D37T6SA0000 | |
| | | | | | | | | | | | | | NPT ⁽³⁾ | W290D3766SA0000 | W290D37U6SA0000 |
| | | | 49 (56.8) | 816 | VII(*) | 10 (150) | 10 (150) | - | 10 (150) | 90 | 04 | G* | W290D37B6SA0000 | W290D37X6SA0000 | |
| | | | | | | | | | | | | NPT ⁽³⁾ | W290D37C6SA0000 | W290D37Y6SA0000 | |

(*) Ensure that compatibility of materials in contact with fluids is verified.

(*) Minimum pilot pressure varies with differential pressure, see page 18

⁽¹⁾ Only with stainless steel actuator.

⁽²⁾ For dimensions, see drawing(s) for each construction type on the following page(s).

⁽³⁾ Plastic actuator: NPTF / Stainless steel actuator: NPT

01535GB-2021/R01 Availability, design and specifications are subject to change without notice. All rights reserved.

Product selection guide

Configurator - CAD Files

PRODUCT CODE
W 290 D 0 3 1 0 S A00 00

Connection type

W= Clamp

Product series

290

Revision letter

D = Initial release

Function

- 0 = Normally Closed
- 1 = Normally Open
- 7 = Normally Closed - Low pilot pressure
- 3 = Normally Closed - Above the disc
- 4 = Double Acting (bistable)
- P = Normally closed with profil disc

Nominal diameter

- 1 = DN10 - 3/8"
- 2 = DN15 - 1/2"
- 3 = DN20 - 3/4"
- 4 = DN25 - 1"
- 5 = DN32 - 1 1/4"
- 6 = DN40 - 1 1/2"
- 7 = DN50 - 2"
- 8 = DN65 - 2 1/2"

Actuator diameter - Piloting connections

- 1 = 32 mm plastic - G 1/8"
- 2 = 32 mm plastic - NPTF 1/8"
- 3 = 50 mm plastic - G 1/8"
- 4 = 50 mm plastic - NPTF 1/8"
- 5 = 63 mm plastic - G 1/8"
- 6 = 63 mm plastic - NPTF 1/8"
- B = 90 mm plastic - G 1/4"
- C = 90 mm plastic - NPTF 1/4"
- H = 125 mm plastic - G 1/4"
- J = 125 mm plastic - NPTF 1/4"
- 9 = 63 mm plastic - NAMUR plate⁽³⁾
- A = 90 mm plastic - NAMUR plate⁽³⁾
- F = 125 mm plastic - NAMUR plate⁽³⁾
- P = 32 mm stainless steel - G 1/8"
- Q = 32 mm stainless steel - NPT 1/8"
- R = 50 mm stainless steel - G 1/8"
- S = 50 mm stainless steel - NPT 1/8"
- T = 63 mm stainless steel - G 1/8"
- U = 63 mm stainless steel - NPT 1/8"
- X = 90 mm stainless steel - G 1/4"
- Y = 90 mm stainless steel - NPT 1/4"
- G = 50 mm stainless steel - NAMUR plate⁽³⁾
- W = 63 mm stainless steel - NAMUR plate⁽³⁾
- Z = 90 mm stainless steel - NAMUR plate⁽³⁾

⁽³⁾ Solenoid pilot valves, series 551, 3/2 NC:
 - Aluminum body, catalog number **SCG551A001**
 - AISI 316L stainless steel body, catalog number **SCG551A40**

Options

- A00 = Without
- PFB = Prepared for signaling box mounting⁽¹⁾
- AT1 = ATEX/IECEx 1/21 zones⁽¹⁾
- ATO = ATEX/IECEx 0/20 zones⁽¹⁾
- 02S = Oxygen service 15 bar / 60°C
- LTP = Low temperature down to -60°C (stainless steel actuator)
- 125 = CTR certification (EAC Ex 1/21 zones) for Product
- STL = Stroke limiter for opening⁽¹⁾
- TC6 = Test tightness class VI⁽¹⁾
- VAC = Industrial vacuum 10⁻³ mbar⁽¹⁾
- M31 = Stainless steel valve body material certified 3.1
- FBO = EC 1935-2004 regulation and FDA CFR 21 material
- WSP = PTFE wiper seal
- WSF = FPM piston seal and steam using up to +184°C / 360°F
- 11B = Manual safety device⁽¹⁾
- V10 = Visual indicator⁽²⁾
- SSF = Stainless steel insert for plastic actuator

Valve body material

- S = Stainless steel body
- Y = All 316L

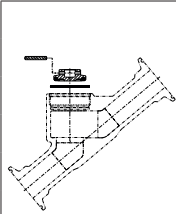
Port type 1-2

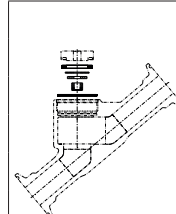
- C = Clamp ISO 2852 / 1127
- 4 = Clamp DIN 32676-A
- 5 = Clamp SMS 3017
- 6 = Clamp ASME BPE

⁽¹⁾ See "Choice of options and accessories", pages 19 and 20
⁽²⁾ For 32 mm and 50 mm plastic actuators (standard for 63 mm, 90 mm and 125 mm plastic actuators and all stainless steel actuators)

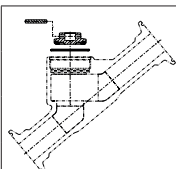
Repair Kits and Service Parts

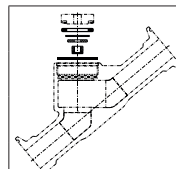
ISO 2852 for pipe ISO 1127

| | Ø | DN | Spare parts kits no. 50-63-90-125 mm | |
|---|--------|----|---|---|
| | | | entry under the disc | |
| | | | Normally Closed | Normally Open + Double Acting (bistable) |
|  | 1/2" | 15 | M29054935100800 | M29054935103500 |
| | 3/4" | 20 | M29054935100900 | M29054935103600 |
| | 1" | 25 | M29054935101000 | M29054935103700 |
| | 1 1/4" | 32 | M29054935101100 | M29054935105200 |
| | 1 1/2" | 40 | M29054935101200 | M29054935105300 |
| | 2" | 50 | M29054935101300 | M29054935105400 |
| | 2 1/2" | 65 | M29054935101400 | M29054935105500 |

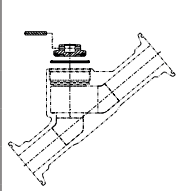
| | Ø | DN | Spare parts kits no. 50-63-90-125 mm |
|--|--------|----|---|
| | | | entry above the disc |
| | | | |
|  | 1/2" | 15 | M29054935100100 |
| | 3/4" | 20 | M29054935100200 |
| | 1" | 25 | M29054935100300 |
| | 1 1/4" | 32 | M29054935100400 |
| | 1 1/2" | 40 | M29054935100500 |
| | 2" | 50 | M29054935100600 |
| | 2 1/2" | 65 | M29054935100700 |

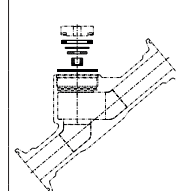
Clamp SMS 3017

| | Ø | DN | Spare parts kits no. 50-63-90-125 mm | |
|--|--------|----|---|---|
| | | | entry under the disc | |
| | | | Normally Closed | Normally Open + Double Acting (bistable) |
|  | 1" | 25 | M29054935101000 | M29054935103700 |
| | 1 1/4" | 32 | M29054935101100 | M29054935105200 |
| | 1 1/2" | 40 | M29054935101200 | M29054935105300 |
| | 2" | 50 | M29054935101300 | M29054935105400 |

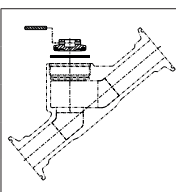
| | Ø | DN | Spare parts kits no. 50-63-90-125 mm |
|---|--------|----|---|
| | | | entry above the disc |
| | | | |
|  | 1" | 25 | M29054935100300 |
| | 1 1/4" | 32 | M29054935100400 |
| | 1 1/2" | 40 | M29054935100500 |
| | 2" | 50 | M29054935100600 |

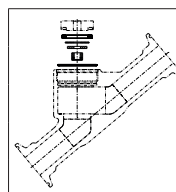
Clamp DIN 32676 - A

| | Ø | DN | Spare parts kits no. 50-63-90-125 mm | |
|---|--------|----|---|---|
| | | | entry under the disc | |
| | | | Normally Closed | Normally Open + Double Acting (bistable) |
|  | 1/2" | 15 | M29054935100800 | M29054935103500 |
| | 3/4" | 20 | M29054935100900 | M29054935103600 |
| | 1" | 25 | M29054935101000 | M29054935103700 |
| | 1 1/4" | 32 | M29054935101100 | M29054935105200 |
| | 1 1/2" | 40 | M29054935101200 | M29054935105300 |
| | 2" | 50 | M29054935101300 | M29054935105400 |

| | Ø | DN | Spare parts kits no. 50-63-90-125 mm |
|--|--------|----|---|
| | | | entry above the disc |
| | | | |
|  | 1/2" | 15 | M29054935100100 |
| | 3/4" | 20 | M29054935100200 |
| | 1" | 25 | M29054935100300 |
| | 1 1/4" | 32 | M29054935100400 |
| | 1 1/2" | 40 | M29054935100500 |
| | 2" | 50 | M29054935100600 |

Clamp ASME BPE

| | Ø | DN | Spare parts kits no. 50-63-90-125 mm | |
|---|--------|----|---|---|
| | | | entry under the disc | |
| | | | Normally Closed | Normally Open + Double Acting (bistable) |
|  | 1/2" | 15 | M29054935100800 | M29054935103500 |
| | 3/4" | 20 | M29054935100900 | M29054935103600 |
| | 1" | 25 | M29054935101000 | M29054935103700 |
| | 1 1/2" | 40 | M29054935101200 | M29054935105300 |
| | 2" | 50 | M29054935101300 | M29054935105400 |

| | Ø | DN | Spare parts kits no. 50-63-90-125 mm |
|--|--------|----|---|
| | | | entry above the disc |
| | | | |
|  | 1/2" | 15 | M29054935100100 |
| | 3/4" | 20 | M29054935100200 |
| | 1" | 25 | M29054935100300 |
| | 1 1/2" | 40 | M29054935100500 |
| | 2" | 50 | M29054935100600 |

01535GB-2021/R01
Availability, design and specifications are subject to change without notice. All rights reserved.

| View showing the function / actuator / flow direction | | | | |
|---|----------------|----------------|----------------|-----------------|
| Plastic actuators | | | | |
| 32 mm actuator | 50 mm actuator | 63 mm actuator | 90 mm actuator | 125 mm actuator |
| NC - Normally closed, entry under the disc | | | | |
| | | | | |
| NO - Normally open, entry under the disc | | | | |
| | | | | |
| NC - Normally closed, entry above the disc | | | | |
| | | | | |
| Bistable function | | | | |
| | | | - | - |

01535GB-2021/R01
Availability, design and specifications are subject to change without notice. All rights reserved.

View showing the function / actuator / flow direction

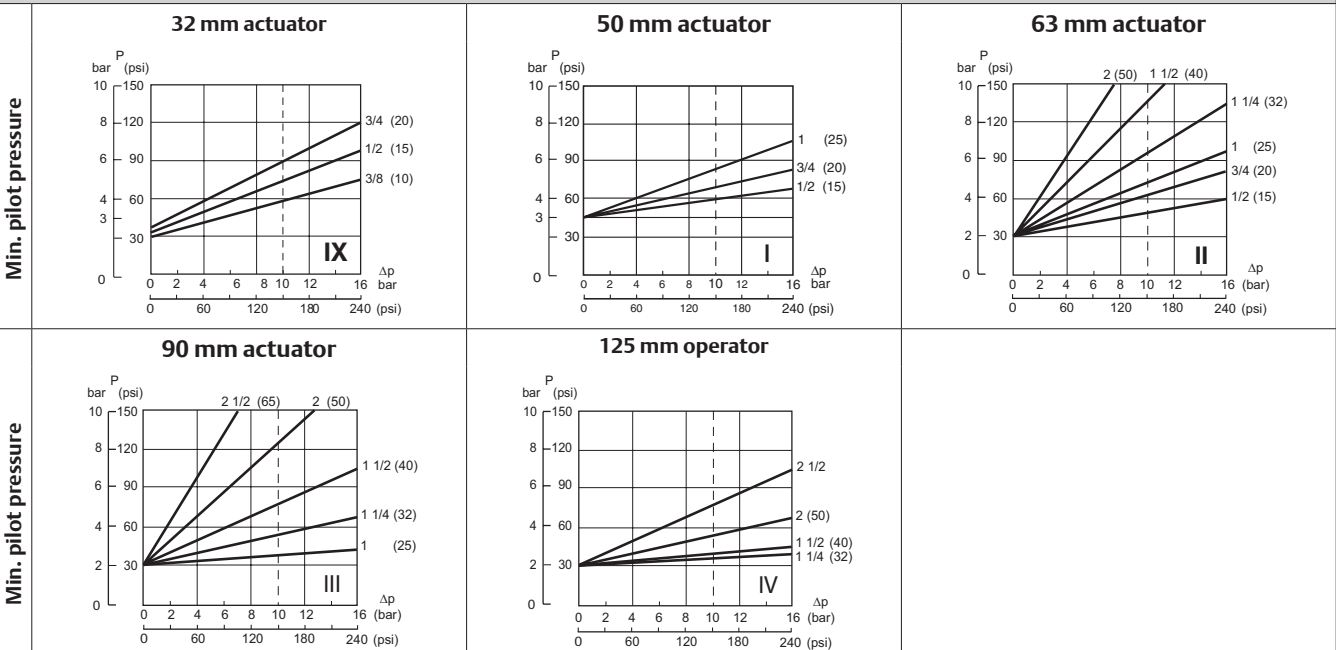
Stainless steel actuators

| 32 mm actuator | 50 mm actuator | 63 mm actuator | 90 mm actuator |
|---|----------------|----------------|----------------|
| NC - Normally closed, entry under the disc | | | |
| | | | |
| NO - Normally open, entry under the disc | | | |
| | | | |
| NC - Normally closed, entry above the disc | | | |
| | | | |
| Bistable function | | | |
| | | | - |

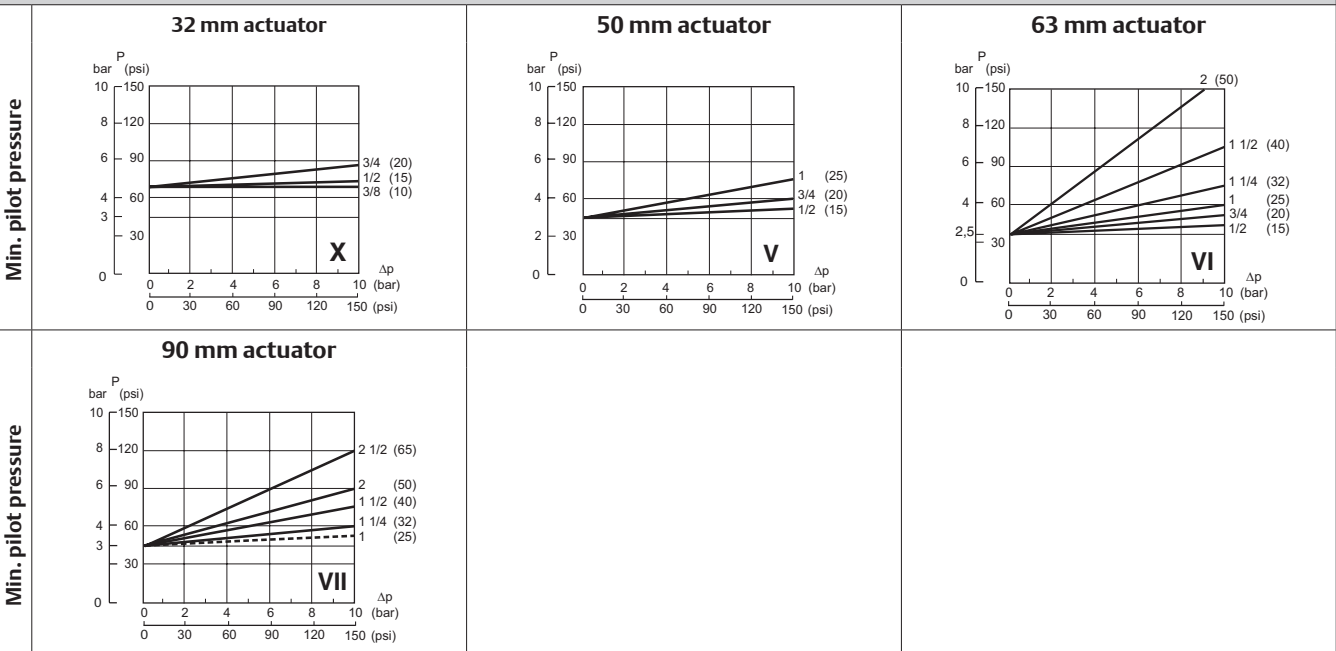
01535GB-2021/R01
Availability, design and specifications are subject to change without notice. All rights reserved.

Selection of the minimum pilot pressure

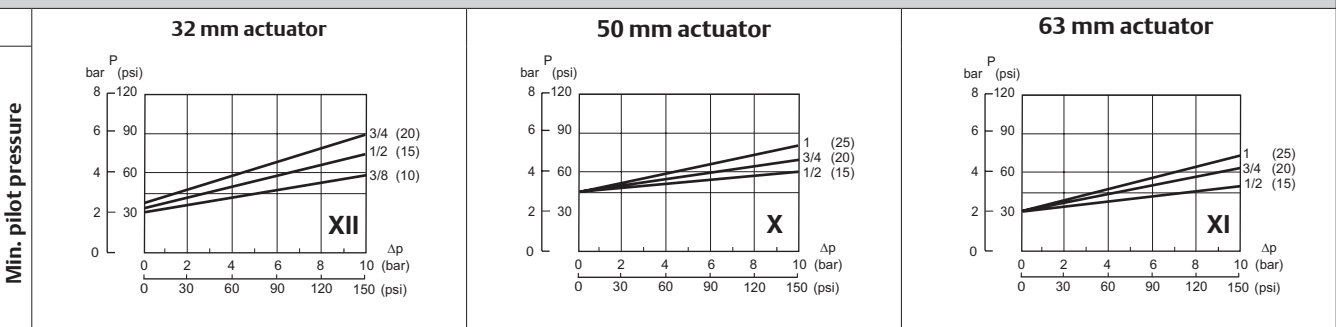
NO - Normally open, entry under the disc



NC - Normally closed, entry above the disc



Bistable function



01535GB-2021/R01
Availability, design and specifications are subject to change without notice. All rights reserved.

ASCO™ Pneumatic Angle Seat Valves

Installation

- Valves can be mounted in any position without affecting operation
- The connection stubs comply with ISO 2852, DIN 32676, SMS 3017, ASME BPE.
The strength of the quick-disconnect connection clamp must be compatible with the maximum pressure applied to the valve
- Possibility to interchange actuators (sizes/functions) on the same body
- Adjustable actuator enables 360° access to pilot port
- Compatible with ASTM 1, 2 and 3 oils
- Pilot thread connection (G) or (NPTF) or (NPT) has a standard thread according to ISO 228/1 or ANSI B 1.20.3 or ANSI B1.20.1
- Installation/maintenance instructions in multiple languages are available on our website

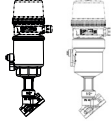



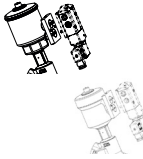




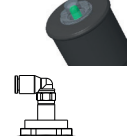
Choice of options and accessories

| Options | NC | NO | NC | - | Actuator diameter compatibility (mm) | | | | | | | | | | | | | | | | | | | | | | | | | | | | | | | | | | | | | | | | | | | | | | | | | | | | | | | | | | | | | | | | | | | | | | | | | | | | | | | | | | | | | | | | | | | | | | | | | | | | | | | | | | | | | | | | | | | | | | | | | | | | | | | | | | | | | | | | | | | | | |
|--------------------------------------|----------------------------|----------------------------|----------------------------|-------------------|--------------------------------------|---|----|----|-----|--|--|--------------------------------------|--|--|--|--|--|-------|--|--|-----|--|--|-------------|------|------|------|-----|-----|-----|---------|--|--|--------|--|--|---|-----|--|------------------|--|-------------------|--|------|----|--------|---------|--------|---------|-------|----|---|---|------|-------|-------|----|------|-------|------|-------|-------|----|------|------|------|------|-------|----|------|------|------|------|------|----|------|------|------|------|--------------------------------------|--|--|--|--|--|-------|--|--|-----|--|--|-------------|------|------|------|-----|-----|-----|---------|--|--|--------|--|--|---|-----|--|------------------|--|-------------------|--|------|----|--------|---------|--------|---------|-------|----|---|---|------|-------|-------|----|------|-------|------|-------|-------|----|------|-------|------|-------|-------|----|------|------|------|------|------|----|------|------|------|
| | Fluid entry under the disc | Fluid entry under the disc | Fluid entry above the disc | Bistable function | 32 | 50 | 63 | 90 | 125 | | | | | | | | | | | | | | | | | | | | | | | | | | | | | | | | | | | | | | | | | | | | | | | | | | | | | | | | | | | | | | | | | | | | | | | | | | | | | | | | | | | | | | | | | | | | | | | | | | | | | | | | | | | | | | | | | | | | | | | | | | | | | | | | | | | | | | | | | |
| | AT0 | • | • | • | • | • | • | • | • | • | <p>ATEX/IECEX</p> <ul style="list-style-type: none"> • 2/2 valves NC/NO designed for use in potentially explosive atmospheres in accordance with ATEX-Directive 2014/34/EU EC type examination certificate no.: LCIE 20 ATEX 3037 X IECEX Certificate of Conformity no.: IECEX LCIE 20.0025X • Compliance with the Essential Health and Safety Requirements of the ATEX Directive has been assured by compliance with European Standards EN ISO 80079-36 and EN ISO 80079-37 • Recommended for applications in the chemical, oil, gas and paint coating industries etc. <p>ATEX-Directive 2014/34/EU, category 1</p> <table border="1"> <thead> <tr> <th colspan="6">Classification (zones) Category 1</th> </tr> <tr> <th colspan="3">Dusts</th> <th colspan="3">Gas</th> <th rowspan="2">Safety code</th> </tr> <tr> <th>IIIA</th> <th>IIIB</th> <th>IIIC</th> <th>IIA</th> <th>IIB</th> <th>IIC</th> </tr> </thead> <tbody> <tr> <td colspan="3">Zone 20</td> <td colspan="3">Zone 0</td> <td> ⓧ II 1G Ex h IIC T* Ga ⓧ II 1D Ex h IIIC T**C Da </td> </tr> <tr> <th colspan="2">1GD</th> <th colspan="2">Plastic actuator</th> <th colspan="2">Metallic actuator</th> </tr> <tr> <th>T*°C</th> <th>T*</th> <th>Ts amb</th> <th>T fluid</th> <th>Ts amb</th> <th>T fluid</th> </tr> <tr> <td>300°C</td> <td>T2</td> <td>-</td> <td>-</td> <td>80°C</td> <td>220°C</td> </tr> <tr> <td>200°C</td> <td>T3</td> <td>60°C</td> <td>145°C</td> <td>80°C</td> <td>149°C</td> </tr> <tr> <td>135°C</td> <td>T4</td> <td>60°C</td> <td>93°C</td> <td>80°C</td> <td>97°C</td> </tr> <tr> <td>100°C</td> <td>T5</td> <td>60°C</td> <td>65°C</td> <td>70°C</td> <td>69°C</td> </tr> <tr> <td>85°C</td> <td>T6</td> <td>60°C</td> <td>53°C</td> <td>60°C</td> <td>57°C</td> </tr> </tbody> </table> <p>ATEX-Directive 2014/34/EU, category 2</p> <table border="1"> <thead> <tr> <th colspan="6">Classification (zones) Category 2</th> </tr> <tr> <th colspan="3">Dusts</th> <th colspan="3">Gas</th> <th rowspan="2">Safety code</th> </tr> <tr> <th>IIIA</th> <th>IIIB</th> <th>IIIC</th> <th>IIA</th> <th>IIB</th> <th>IIC</th> </tr> </thead> <tbody> <tr> <td colspan="3">Zone 21</td> <td colspan="3">Zone 1</td> <td> ⓧ II 2G Ex h IIC T* Gb X ⓧ II 2D Ex h IIIC T**C Db X </td> </tr> <tr> <th colspan="2">2GD</th> <th colspan="2">Plastic actuator</th> <th colspan="2">Metallic actuator</th> </tr> <tr> <th>T*°C</th> <th>T*</th> <th>Ts amb</th> <th>T fluid</th> <th>Ts amb</th> <th>T fluid</th> </tr> <tr> <td>300°C</td> <td>T2</td> <td>-</td> <td>-</td> <td>80°C</td> <td>220°C</td> </tr> <tr> <td>200°C</td> <td>T3</td> <td>60°C</td> <td>180°C</td> <td>80°C</td> <td>184°C</td> </tr> <tr> <td>135°C</td> <td>T4</td> <td>60°C</td> <td>115°C</td> <td>80°C</td> <td>119°C</td> </tr> <tr> <td>100°C</td> <td>T5</td> <td>60°C</td> <td>80°C</td> <td>70°C</td> <td>80°C</td> </tr> <tr> <td>85°C</td> <td>T6</td> <td>60°C</td> <td>60°C</td> <td>60°C</td> <td>60°C</td> </tr> </tbody> </table> <p> T*°C = Surface temperature T* = Temperature class Ts amb = Ambient temperature T fluid = Fluid temperature </p> | Classification (zones) Category 1 | | | | | | Dusts | | | Gas | | | Safety code | IIIA | IIIB | IIIC | IIA | IIB | IIC | Zone 20 | | | Zone 0 | | | ⓧ II 1G Ex h IIC T* Ga ⓧ II 1D Ex h IIIC T**C Da | 1GD | | Plastic actuator | | Metallic actuator | | T*°C | T* | Ts amb | T fluid | Ts amb | T fluid | 300°C | T2 | - | - | 80°C | 220°C | 200°C | T3 | 60°C | 145°C | 80°C | 149°C | 135°C | T4 | 60°C | 93°C | 80°C | 97°C | 100°C | T5 | 60°C | 65°C | 70°C | 69°C | 85°C | T6 | 60°C | 53°C | 60°C | 57°C | Classification (zones) Category 2 | | | | | | Dusts | | | Gas | | | Safety code | IIIA | IIIB | IIIC | IIA | IIB | IIC | Zone 21 | | | Zone 1 | | | ⓧ II 2G Ex h IIC T* Gb X ⓧ II 2D Ex h IIIC T**C Db X | 2GD | | Plastic actuator | | Metallic actuator | | T*°C | T* | Ts amb | T fluid | Ts amb | T fluid | 300°C | T2 | - | - | 80°C | 220°C | 200°C | T3 | 60°C | 180°C | 80°C | 184°C | 135°C | T4 | 60°C | 115°C | 80°C | 119°C | 100°C | T5 | 60°C | 80°C | 70°C | 80°C | 85°C | T6 | 60°C | 60°C | 60°C |
| Classification (zones) Category 1 | | | | | | | | | | | | | | | | | | | | | | | | | | | | | | | | | | | | | | | | | | | | | | | | | | | | | | | | | | | | | | | | | | | | | | | | | | | | | | | | | | | | | | | | | | | | | | | | | | | | | | | | | | | | | | | | | | | | | | | | | | | | | | | | | | | | | | | | | | | | | | | | | | |
| Dusts | | | Gas | | | Safety code | | | | | | | | | | | | | | | | | | | | | | | | | | | | | | | | | | | | | | | | | | | | | | | | | | | | | | | | | | | | | | | | | | | | | | | | | | | | | | | | | | | | | | | | | | | | | | | | | | | | | | | | | | | | | | | | | | | | | | | | | | | | | | | | | | | | | | | | | | | | |
| IIIA | IIIB | IIIC | IIA | IIB | IIC | | | | | | | | | | | | | | | | | | | | | | | | | | | | | | | | | | | | | | | | | | | | | | | | | | | | | | | | | | | | | | | | | | | | | | | | | | | | | | | | | | | | | | | | | | | | | | | | | | | | | | | | | | | | | | | | | | | | | | | | | | | | | | | | | | | | | | | | | | | | | |
| Zone 20 | | | Zone 0 | | | ⓧ II 1G Ex h IIC T* Ga ⓧ II 1D Ex h IIIC T**C Da | | | | | | | | | | | | | | | | | | | | | | | | | | | | | | | | | | | | | | | | | | | | | | | | | | | | | | | | | | | | | | | | | | | | | | | | | | | | | | | | | | | | | | | | | | | | | | | | | | | | | | | | | | | | | | | | | | | | | | | | | | | | | | | | | | | | | | | | | | | | |
| 1GD | | Plastic actuator | | Metallic actuator | | | | | | | | | | | | | | | | | | | | | | | | | | | | | | | | | | | | | | | | | | | | | | | | | | | | | | | | | | | | | | | | | | | | | | | | | | | | | | | | | | | | | | | | | | | | | | | | | | | | | | | | | | | | | | | | | | | | | | | | | | | | | | | | | | | | | | | | | | | | | | |
| T*°C | T* | Ts amb | T fluid | Ts amb | T fluid | | | | | | | | | | | | | | | | | | | | | | | | | | | | | | | | | | | | | | | | | | | | | | | | | | | | | | | | | | | | | | | | | | | | | | | | | | | | | | | | | | | | | | | | | | | | | | | | | | | | | | | | | | | | | | | | | | | | | | | | | | | | | | | | | | | | | | | | | | | | | |
| 300°C | T2 | - | - | 80°C | 220°C | | | | | | | | | | | | | | | | | | | | | | | | | | | | | | | | | | | | | | | | | | | | | | | | | | | | | | | | | | | | | | | | | | | | | | | | | | | | | | | | | | | | | | | | | | | | | | | | | | | | | | | | | | | | | | | | | | | | | | | | | | | | | | | | | | | | | | | | | | | | | |
| 200°C | T3 | 60°C | 145°C | 80°C | 149°C | | | | | | | | | | | | | | | | | | | | | | | | | | | | | | | | | | | | | | | | | | | | | | | | | | | | | | | | | | | | | | | | | | | | | | | | | | | | | | | | | | | | | | | | | | | | | | | | | | | | | | | | | | | | | | | | | | | | | | | | | | | | | | | | | | | | | | | | | | | | | |
| 135°C | T4 | 60°C | 93°C | 80°C | 97°C | | | | | | | | | | | | | | | | | | | | | | | | | | | | | | | | | | | | | | | | | | | | | | | | | | | | | | | | | | | | | | | | | | | | | | | | | | | | | | | | | | | | | | | | | | | | | | | | | | | | | | | | | | | | | | | | | | | | | | | | | | | | | | | | | | | | | | | | | | | | | |
| 100°C | T5 | 60°C | 65°C | 70°C | 69°C | | | | | | | | | | | | | | | | | | | | | | | | | | | | | | | | | | | | | | | | | | | | | | | | | | | | | | | | | | | | | | | | | | | | | | | | | | | | | | | | | | | | | | | | | | | | | | | | | | | | | | | | | | | | | | | | | | | | | | | | | | | | | | | | | | | | | | | | | | | | | |
| 85°C | T6 | 60°C | 53°C | 60°C | 57°C | | | | | | | | | | | | | | | | | | | | | | | | | | | | | | | | | | | | | | | | | | | | | | | | | | | | | | | | | | | | | | | | | | | | | | | | | | | | | | | | | | | | | | | | | | | | | | | | | | | | | | | | | | | | | | | | | | | | | | | | | | | | | | | | | | | | | | | | | | | | | |
| Classification (zones) Category 2 | | | | | | | | | | | | | | | | | | | | | | | | | | | | | | | | | | | | | | | | | | | | | | | | | | | | | | | | | | | | | | | | | | | | | | | | | | | | | | | | | | | | | | | | | | | | | | | | | | | | | | | | | | | | | | | | | | | | | | | | | | | | | | | | | | | | | | | | | | | | | | | | | | |
| Dusts | | | Gas | | | Safety code | | | | | | | | | | | | | | | | | | | | | | | | | | | | | | | | | | | | | | | | | | | | | | | | | | | | | | | | | | | | | | | | | | | | | | | | | | | | | | | | | | | | | | | | | | | | | | | | | | | | | | | | | | | | | | | | | | | | | | | | | | | | | | | | | | | | | | | | | | | | |
| IIIA | IIIB | IIIC | IIA | IIB | IIC | | | | | | | | | | | | | | | | | | | | | | | | | | | | | | | | | | | | | | | | | | | | | | | | | | | | | | | | | | | | | | | | | | | | | | | | | | | | | | | | | | | | | | | | | | | | | | | | | | | | | | | | | | | | | | | | | | | | | | | | | | | | | | | | | | | | | | | | | | | | | |
| Zone 21 | | | Zone 1 | | | ⓧ II 2G Ex h IIC T* Gb X ⓧ II 2D Ex h IIIC T**C Db X | | | | | | | | | | | | | | | | | | | | | | | | | | | | | | | | | | | | | | | | | | | | | | | | | | | | | | | | | | | | | | | | | | | | | | | | | | | | | | | | | | | | | | | | | | | | | | | | | | | | | | | | | | | | | | | | | | | | | | | | | | | | | | | | | | | | | | | | | | | | |
| 2GD | | Plastic actuator | | Metallic actuator | | | | | | | | | | | | | | | | | | | | | | | | | | | | | | | | | | | | | | | | | | | | | | | | | | | | | | | | | | | | | | | | | | | | | | | | | | | | | | | | | | | | | | | | | | | | | | | | | | | | | | | | | | | | | | | | | | | | | | | | | | | | | | | | | | | | | | | | | | | | | | |
| T*°C | T* | Ts amb | T fluid | Ts amb | T fluid | | | | | | | | | | | | | | | | | | | | | | | | | | | | | | | | | | | | | | | | | | | | | | | | | | | | | | | | | | | | | | | | | | | | | | | | | | | | | | | | | | | | | | | | | | | | | | | | | | | | | | | | | | | | | | | | | | | | | | | | | | | | | | | | | | | | | | | | | | | | | |
| 300°C | T2 | - | - | 80°C | 220°C | | | | | | | | | | | | | | | | | | | | | | | | | | | | | | | | | | | | | | | | | | | | | | | | | | | | | | | | | | | | | | | | | | | | | | | | | | | | | | | | | | | | | | | | | | | | | | | | | | | | | | | | | | | | | | | | | | | | | | | | | | | | | | | | | | | | | | | | | | | | | |
| 200°C | T3 | 60°C | 180°C | 80°C | 184°C | | | | | | | | | | | | | | | | | | | | | | | | | | | | | | | | | | | | | | | | | | | | | | | | | | | | | | | | | | | | | | | | | | | | | | | | | | | | | | | | | | | | | | | | | | | | | | | | | | | | | | | | | | | | | | | | | | | | | | | | | | | | | | | | | | | | | | | | | | | | | |
| 135°C | T4 | 60°C | 115°C | 80°C | 119°C | | | | | | | | | | | | | | | | | | | | | | | | | | | | | | | | | | | | | | | | | | | | | | | | | | | | | | | | | | | | | | | | | | | | | | | | | | | | | | | | | | | | | | | | | | | | | | | | | | | | | | | | | | | | | | | | | | | | | | | | | | | | | | | | | | | | | | | | | | | | | |
| 100°C | T5 | 60°C | 80°C | 70°C | 80°C | | | | | | | | | | | | | | | | | | | | | | | | | | | | | | | | | | | | | | | | | | | | | | | | | | | | | | | | | | | | | | | | | | | | | | | | | | | | | | | | | | | | | | | | | | | | | | | | | | | | | | | | | | | | | | | | | | | | | | | | | | | | | | | | | | | | | | | | | | | | | |
| 85°C | T6 | 60°C | 60°C | 60°C | 60°C | | | | | | | | | | | | | | | | | | | | | | | | | | | | | | | | | | | | | | | | | | | | | | | | | | | | | | | | | | | | | | | | | | | | | | | | | | | | | | | | | | | | | | | | | | | | | | | | | | | | | | | | | | | | | | | | | | | | | | | | | | | | | | | | | | | | | | | | | | | | | |
| AT1 | • | • | • | • | • | • | • | • | • | <p>ATEX/IECEX</p> <p>EAC Ex</p> | | | | | | | | | | | | | | | | | | | | | | | | | | | | | | | | | | | | | | | | | | | | | | | | | | | | | | | | | | | | | | | | | | | | | | | | | | | | | | | | | | | | | | | | | | | | | | | | | | | | | | | | | | | | | | | | | | | | | | | | | | | | | | | | | | | | | | | | |

When a combination of several options are selected (using the product configurator on our website) you will be provided with a specific combination code

01535GB-2021/R01 Availability, design and specifications are subject to change without notice. All rights reserved.

Choice of options and accessories

| Options | NC | NO | NC | - | Actuator diameter compatibility (mm) | | | | | Description |
|-------------|----------------------------|----------------------------|----------------------------|-------------------|--------------------------------------|-----------|-----|-----|-----|--|
| | Fluid entry under the disc | Fluid entry under the disc | Fluid entry above the disc | Bistable function | 32 | 50 | 63 | 90 | 125 | |
| PFB | ● | ● | ● | - | ● (1) | ● (1) | ● | ● | ● |  <p>Prepared for signaling box or signaling unit mounting (1) Except plastic actuator for NO version.</p> |
| - | ● | ● | ● | - | - | ● (1) | ● | ● | ● |  <p>See the dedicated catalogue pages • The signaling box fits on compatible actuators to indicate whether the valve is open or closed (1) Except plastic actuator for NO version.</p> |
| - | ● | ● | ● | - | ● (1) | ● (1) | ● | ● | ● |  <p>See the dedicated catalogue pages • Signaling unit with reed switch or magneto-resistive (MR) detectors for compatible actuators (1) Except plastic actuator for NO version.</p> |
| 02S | ● | ● | ● | ● | ● | ● | ● | ● | ● |  <p>Oxygen service • Special grease and cleaning • Pressure limited to 15 bar/temperature limited to +60°C</p> |
| see page 14 | ● | ● | ● | ● | - | ● | ● | ● | ● |  <p>Adapter plate for NAMUR pad-mount pilot • Adaptable on 63 mm, 90 mm and 125 mm actuators (and 50 mm stainless steel actuator) • Stainless steel AISI 316L • Solenoid pilot valves, series 551, 3/2 NC: - Aluminum body, catalog number SCG551A001 - AISI 316L stainless steel body, catalog number SCG551A0409</p> |
| STL | ● | - | ● | - | - | ● (1) | ● | ● | ● |  <p>Stroke limiter for opening (1) Except plastic actuator for NO version.</p> |
| TC6 | ● | ● | ● | ● | ● | ● | ● | ● | ● | Test tightness class VI (FCI 70-2) |
| VAC | ● | ● | - | - | ● | ● | ● | ● | ● |  <p>Industrial vacuum 10⁻³ mbar (FPM disc)</p> |
| M31 | ● | ● | ● | ● | ● | ● | ● | ● | ● | Valve body material composition certificate 3.1 |
| FBO | ● | ● | ● | ● | ● | ● | ● | ● | ● |  <p>EC 1935/2004 and FDA CFR 21 material</p> |
| WSP | ● | ● | ● | - | ● | ● | ● | ● | ● | PTFE wiper seal (for filtered / cleaned medium) |
| WSF | ● | ● | ● | - | ● | ● | ● | ● | - | FPM piston seal |
| 11B | ● | - | ● | - | - | ● | ● | ● | ● |  <p>Manual safety device • Allows opening of a de-energized valve • For normally closed (NC) valves only (under/above the disc)</p> |
| V10 | ● | ● | ● | - | ● | ● (NC) | (2) | (2) | (2) |  <p>Visual position indicator⁽²⁾ • Visual indication of open or closed position for NC valves with 32 mm or 50 mm plastic actuator • Applicable for NO and double acting with 32 mm actuator (2) For 32 mm and 50 mm plastic actuators (standard for 63 mm, 90 mm and 125 mm plastic actuators and all stainless steel actuators)</p> |

● Available feature - Not available

When a combination of several options are selected (using the product configurator on our website) you will be provided with a specific combination code

Choice of pilots

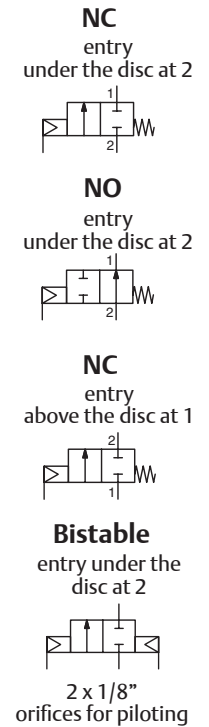
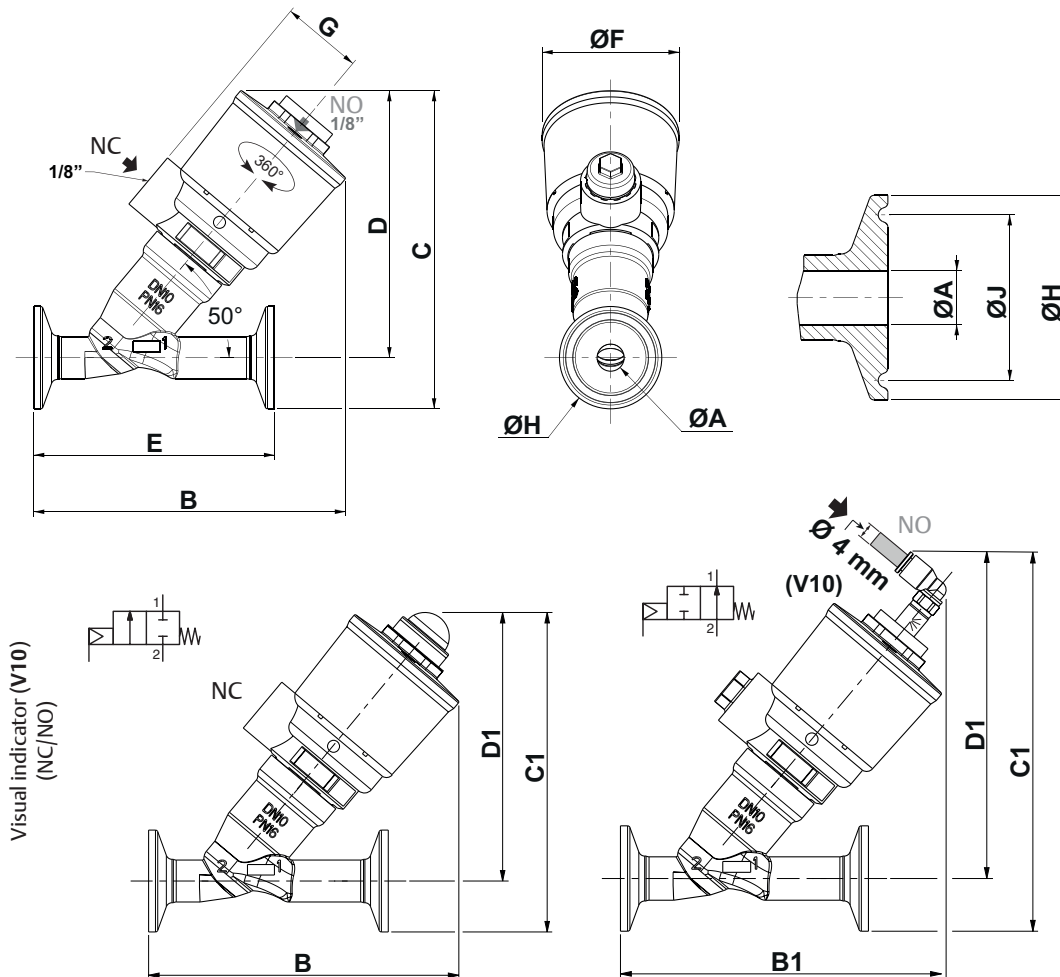
(For information about pilots, please consult the dedicated catalog pages)

01535GB-2021/R01
Availability, design and specifications are subject to change without notice. All rights reserved.

Dimensions mm (inches), Weight kg (Lbs)

Configurator - CAD Files

TYPE 01
32 mm actuator / Plastic actuator
Fluid entry:
under the disc at 2
above the disc at 1



| Type | Ø (mm) | DN | ØA | | B | | B1 (V10) | | C | | C1 (V10) | | | | D | | | | |
|------|--------|---------|-------|---------|----------|-------|----------|-------|-------|-------|----------|-------|-------|-------|-------|-------|-----------------------|-------|----|
| | | | ISO | BPE | ISO | BPE | ISO | BPE | ISO | BPE | ISO | | BPE | | ISO | BPE | | | |
| | | | | | | | | | | | NC | NO | NC | NO | | | | | |
| 01 | 32 | 3/8" 10 | mm | 9 | 7 | 103.5 | 103.5 | 104.5 | 104.5 | 106 | 101 | 107 | 123.5 | 102 | 118.5 | 89 | 89 | | |
| | | | (in) | 0.354 | 0.276 | 4.075 | 4.075 | 4.114 | 4.114 | 4.173 | 3.976 | 4.213 | 4.862 | 4.016 | 4.665 | 3.504 | 3.504 | | |
| | | 1/2" 15 | mm | 15 | 9 | 112 | 103.5 | 114 | 105.5 | 107 | 101 | 108 | 124.5 | 102 | 118.5 | 90 | 88.5 | | |
| | | | (in) | 0.591 | 0.354 | 4.409 | 4.075 | 4.488 | 4.154 | 4.213 | 3.976 | 4.252 | 4.902 | 4.016 | 4.665 | 3.543 | 3.484 | | |
| | | 3/4" 20 | mm | 20 | 15 | 113 | 112 | 115 | 113 | 115 | 102.5 | 115.5 | 132 | 103.5 | 119.5 | 90 | 90 | | |
| | | | (in) | 0.787 | 0.591 | 4.449 | 4.409 | 4.528 | 4.449 | 4.528 | 4.035 | 4.547 | 5.197 | 4.075 | 4.705 | 3.543 | 3.543 | | |
| | | | | | D1 (V10) | | | | E | | ØF | G | ØH | | ØJ | | Weight ⁽¹⁾ | | |
| | | ISO | | BPE | | ISO | BPE | ISO | BPE | ISO | | | BPE | ISO | BPE | | | | |
| | | | | | NC | NO | NC | NO | | | | | | | | | | | |
| | | | | 3/8" 10 | mm | 90 | 106 | 90 | 106 | 80 | 80 | 46 | 27 | 34 | 25 | 27.5 | 20.32 | 0.4 | kg |
| | | | | (in) | 3.543 | 4.173 | 3.543 | 4.173 | 3.150 | 3.150 | 1.811 | 1.063 | 1.339 | 0.984 | 1.083 | 0.800 | 0.9 | (Lbs) | |
| | | | | 1/2" 15 | mm | 91 | 107 | 89.5 | 106 | 101.6 | 80 | 46 | 27 | 34 | 25 | 27.5 | 20.32 | 0.5 | kg |
| | | (in) | 3.583 | 4.213 | 3.524 | 4.173 | 4.000 | 3.150 | 1.811 | 1.063 | 1.339 | 0.984 | 1.083 | 0.800 | 1.1 | (Lbs) | | | |
| | | 3/4" 20 | mm | 91 | 107 | 91 | 107 | 114 | 101.6 | 46 | 27 | 50.5 | 25 | 43.5 | 20.32 | 0.6 | kg | | |
| | | (in) | 3.583 | 4.213 | 3.583 | 4.213 | 4.488 | 4.000 | 1.811 | 1.063 | 1.988 | 0.984 | 1.713 | 0.800 | 1.3 | (Lbs) | | | |

⁽¹⁾ Weight of valve without pilot.
For solenoid pilot valve, see dedicated catalog pages.

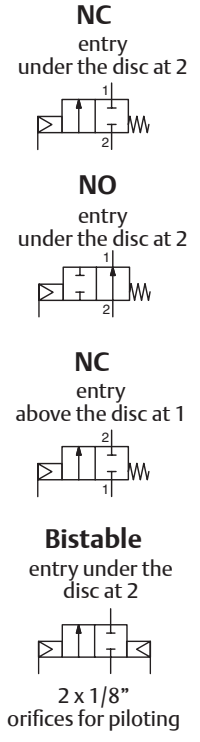
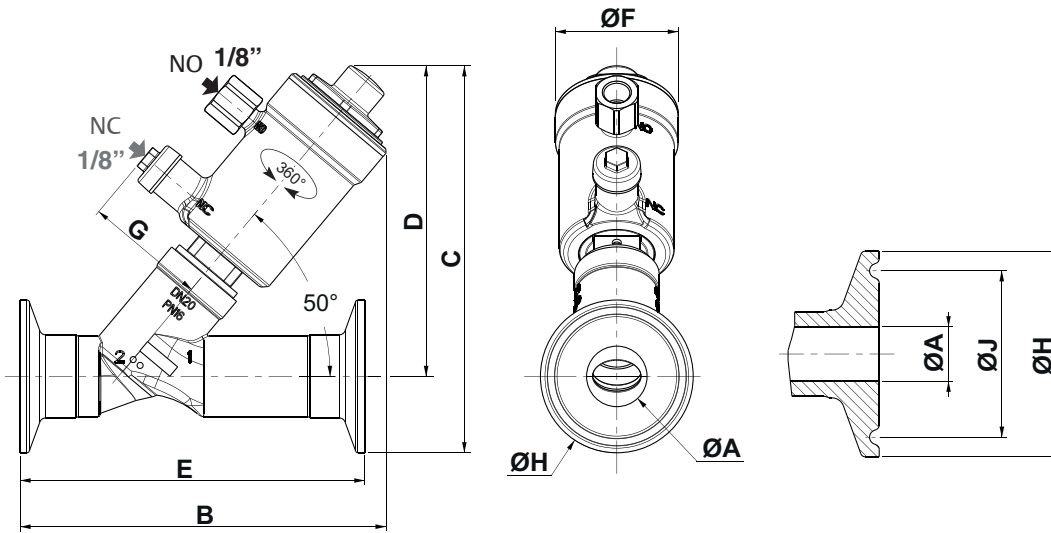
01535GB-2021/R01
Availability, design and specifications are subject to change without notice. All rights reserved.

Dimensions mm (inches), Weight kg (Lbs)

Configurator - CAD Files



TYPE 01
32 mm actuator / Stainless steel actuator
Fluid entry:
under the disc at 2
above the disc at 1




| Type | Ø (mm) | DN | ØA | | B | | C | | D | | Weight ⁽¹⁾ | | | | |
|---------|--------|---------|------|-------|-------|-------|-------|-------|-------|-------|-----------------------|-------|-----------------------|-----|-------|
| | | | ISO | BPE | ISO | BPE | ISO | BPE | ISO | BPE | | | | | |
| 01 | 32 | 3/8" 10 | mm | 9 | 7 | 112 | 112 | 119 | 114.5 | 102 | 102 | | | | |
| | | | (in) | 0.354 | 0.276 | 4.409 | 4.409 | 4.685 | 4.508 | 4.016 | 4.016 | | | | |
| | | 1/2" 15 | mm | 15 | 9 | 120 | 112 | 120 | 114.5 | 103 | 102 | | | | |
| | | | (in) | 0.591 | 0.354 | 4.724 | 4.409 | 4.724 | 4.508 | 4.055 | 4.016 | | | | |
| | | 3/4" 20 | mm | 20 | 15 | 121 | 120 | 128 | 115.5 | 103 | 103 | | | | |
| | | | (in) | 0.787 | 0.591 | 4.764 | 4.724 | 5.039 | 4.547 | 4.055 | 4.055 | | | | |
| | | | | | E | | ØF | G | ØH | | ØJ | | Weight ⁽¹⁾ | | |
| | | | | | ISO | BPE | | | ISO | BPE | ISO | BPE | | | |
| | | 3/8" 10 | | | mm | 80 | 80 | 41 | 40 | 34 | 25 | 27.5 | 20.32 | 0.6 | kg |
| | | | | | (in) | 3.150 | 3.150 | 1.614 | 1.575 | 1.339 | 0.984 | 1.083 | 0.800 | 1.3 | (Lbs) |
| | | 1/2" 15 | | | mm | 101.6 | 80 | 41 | 40 | 34 | 25 | 27.5 | 20.32 | 0.7 | kg |
| | | | | | (in) | 4.000 | 3.150 | 1.614 | 1.575 | 1.339 | 0.984 | 1.083 | 0.800 | 1.5 | (Lbs) |
| 3/4" 20 | | | mm | 114 | 101.6 | 41 | 40 | 50.5 | 25 | 43.5 | 20.32 | 0.8 | kg | | |
| | | | (in) | 4.488 | 4.000 | 1.614 | 1.575 | 1.988 | 0.984 | 1.713 | 0.800 | 1.8 | (Lbs) | | |

⁽¹⁾ Weight of valve without pilot.
For solenoid pilot valve, see dedicated catalog pages.

01535GB-2021/R01
Availability, design and specifications are subject to change without notice. All rights reserved.

ASCO™ Pneumatic Angle Seat Valves

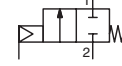
Dimensions mm (inches), Weight kg (Lbs) 

Configurator - CAD Files

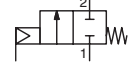


TYPE 02
50 mm actuator / Plastic actuator
Fluid entry:
under the disc at 2
above the disc at 1

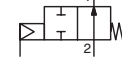
NC
entry
under the disc at 2



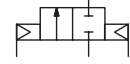
NC
entry
above the disc at 1



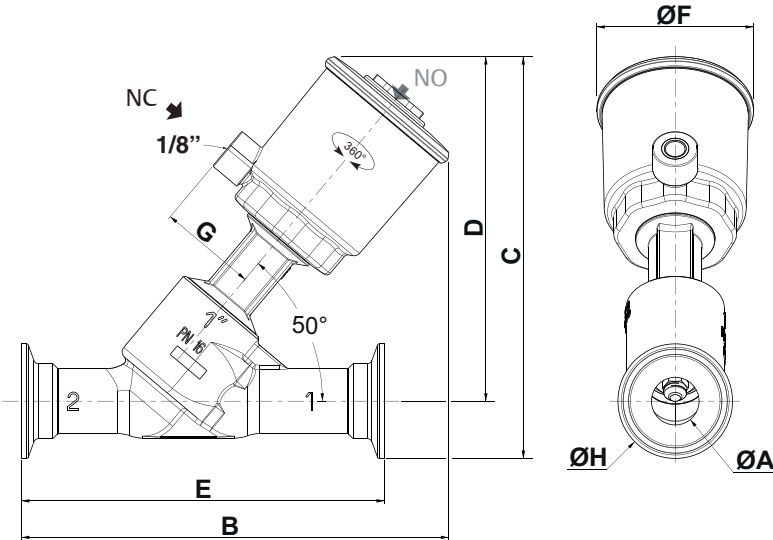
NO
entry
under the disc at 2



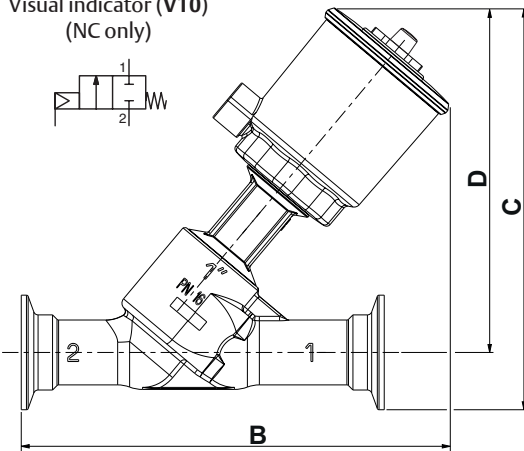
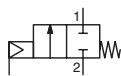
Bistable
entry
under the disc at 2



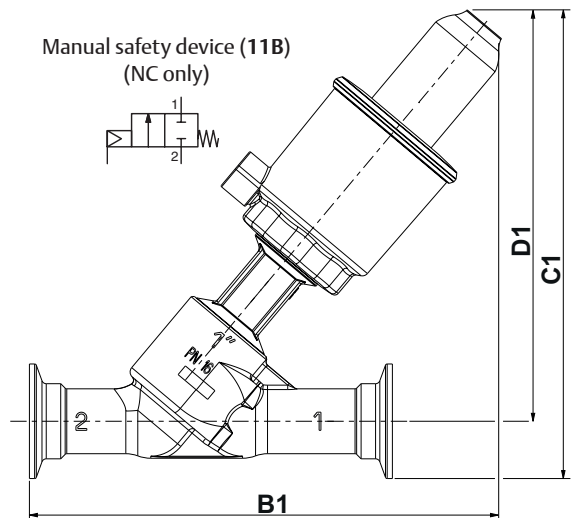
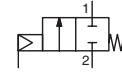
2 x 1/8" orifices for piloting



Visual indicator (V10)
(NC only)



Manual safety device (11B)
(NC only)



| Type | Ø (mm) | DN | ØA | | | | B | B1 (11B) | C | | | | C1 (11B) | | | | | | |
|------|--------|------|-------|-------|-------|----------|-------|----------|-------|-------|-------|-------|----------|-------|-------|-------|-------|-----------------------|-------|
| | | | ISO | BPE | SMS | DIN | | | ISO | BPE | SMS | DIN | ISO | BPE | SMS | DIN | | | |
| 02 | 50 | 1/2" | 15 | mm | 15 | 9 | - | 15 | 168.5 | 189 | 160.5 | 156 | - | 160.5 | 191.5 | 187 | - | 191.5 | |
| | | | (in) | 0.591 | 0.354 | - | 0.591 | 6.634 | 7.441 | 6.319 | 6.142 | - | 6.319 | 7.539 | 7.362 | - | 7.539 | | |
| | | 3/4" | 20 | mm | 15 | 15 | - | 15 | 168.5 | 189 | 169 | 157 | - | 160.5 | 200 | 188 | - | 191.5 | |
| | | | (in) | 0.591 | 0.591 | - | 0.591 | 6.634 | 7.441 | 6.654 | 6.181 | - | 6.319 | 7.874 | 7.402 | - | 7.539 | | |
| | | 1" | 25 | mm | 21 | 21 | 21 | 21 | 188.5 | 209 | 177 | 177 | 177 | 177 | 208 | 208 | 208 | 208 | |
| | | | (in) | 0.827 | 0.827 | 0.827 | 0.827 | 7.421 | 8.228 | 6.969 | 6.969 | 6.969 | 6.969 | 8.189 | 8.189 | 8.189 | 8.189 | | |
| | | | | | D | D1 (11B) | E | ØF | G | ØH | | | | ØJ | | | | Weight ⁽¹⁾ | |
| | | | | | ISO | BPE | SMS | DIN | ISO | BPE | SMS | DIN | ISO | BPE | SMS | DIN | | | |
| | | 1/2" | 15 | mm | 143.5 | 174.5 | 130 | 69 | 43 | 34 | 25 | - | 34 | 27.5 | 20.32 | - | 27.5 | 0.9 | kg |
| | | | | (in) | 5.650 | 6.870 | 5.118 | 2.717 | 1.693 | 1.339 | 0.984 | - | 1.339 | 1.083 | 0.800 | - | 1.083 | 2.0 | (Lbs) |
| | | 3/4" | 20 | mm | 144 | 175 | 150 | 69 | 43 | 50.5 | 25 | - | 34 | 43.5 | 20.32 | - | 27.5 | 1.2 | kg |
| | | | | (in) | 5.669 | 6.890 | 5.906 | 2.717 | 1.693 | 1.988 | 0.984 | - | 1.339 | 1.713 | 0.800 | - | 1.083 | 2.6 | (Lbs) |
| 1" | 25 | mm | 152 | 183 | 160 | 69 | 43 | 50.5 | 50.39 | 50.5 | 50.5 | 43.5 | 43.64 | 43.5 | 43.5 | 1.3 | kg | | |
| | | (in) | 5.984 | 7.205 | 6.299 | 2.717 | 1.693 | 1.988 | 1.984 | 1.988 | 1.988 | 1.713 | 1.718 | 1.713 | 1.713 | 2.9 | (Lbs) | | |

⁽¹⁾ Weight of valve without pilot.
For solenoid pilot valve, see dedicated catalog pages.

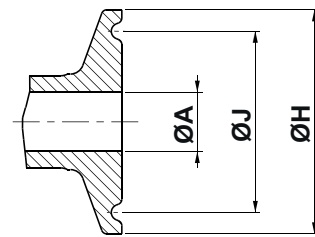
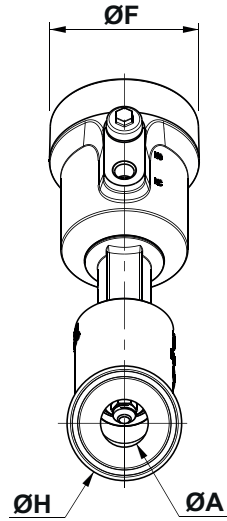
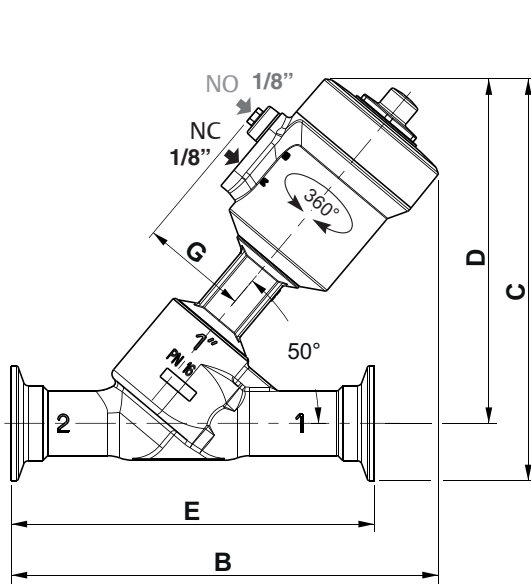
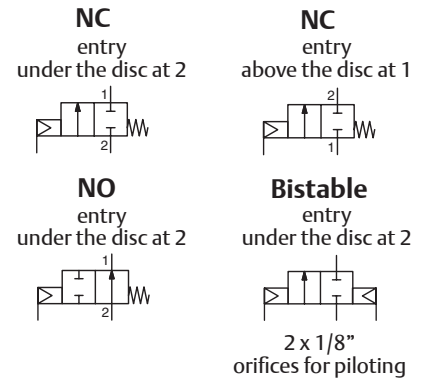
01535GB-2021/R01
Availability, design and specifications are subject to change without notice. All rights reserved.

Dimensions mm (inches), Weight kg (Lbs)

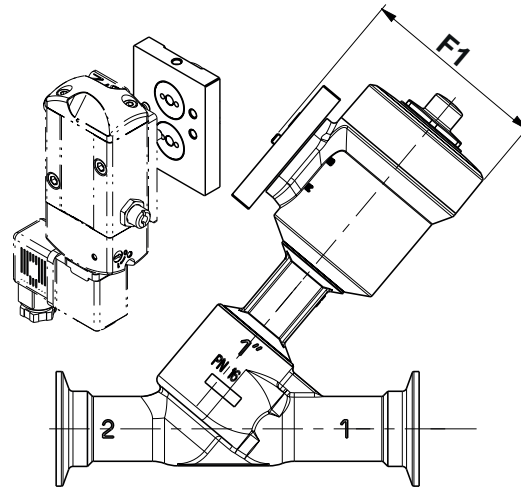
Configurator - CAD Files



TYPE 02
50 mm actuator / Stainless steel actuator
Fluid entry:
under the disc at 2
above the disc at 1



NAMUR plate
(NC / NO)



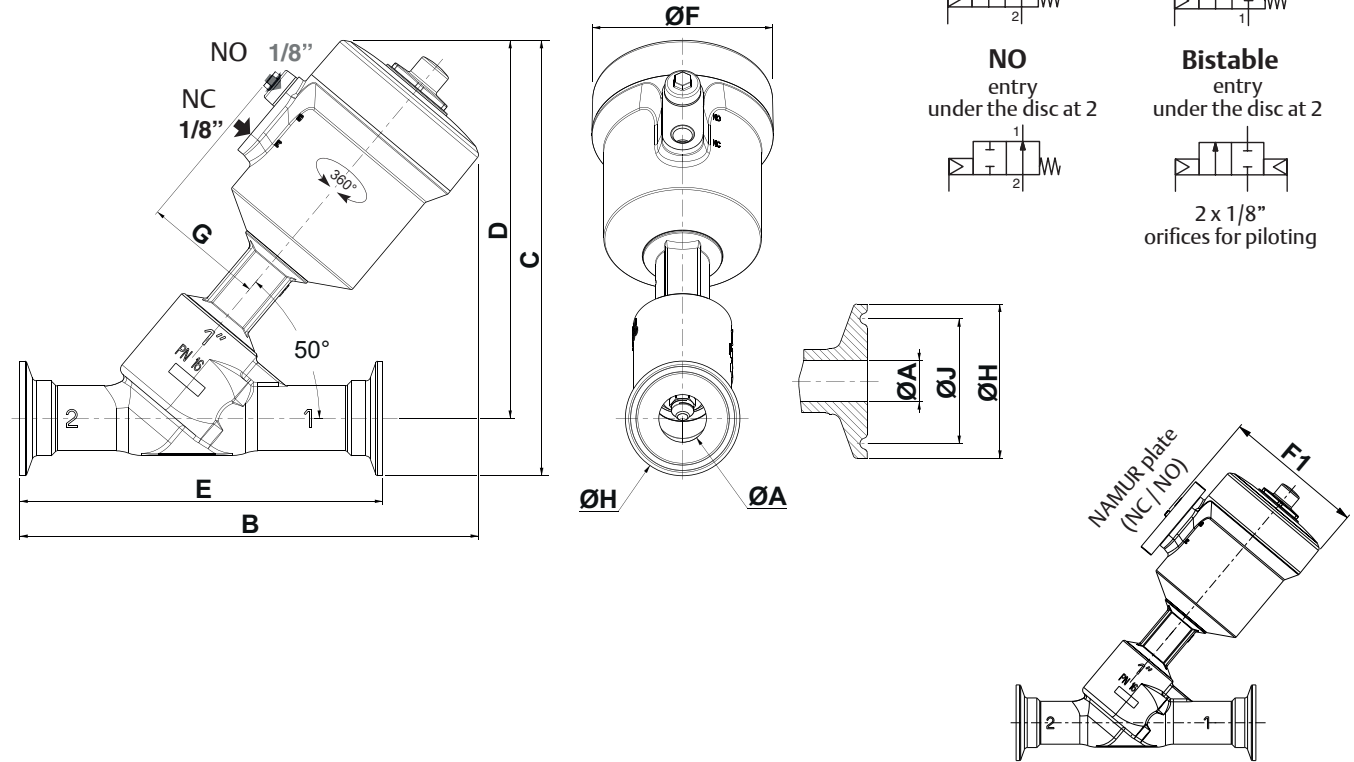
| Type | Ø (mm) | DN | ØA | | | | B | C | | | | D | E | | | | | | |
|------|--------|------|------|-------|-------|------------|-------|-------|-------|-------|-------|-------|-------|-------|-------|-----------------------|------|-------|----|
| | | | ISO | BPE | SMS | DIN | | ISO | BPE | SMS | DIN | | | | | | | | |
| 02 | 50 | 1/2" | 15 | mm | 15 | 9 | - | 15 | 168 | 160.5 | 156 | - | 160.5 | 143.5 | 130 | | | | |
| | | | (in) | 0.591 | 0.354 | - | 0.591 | 6.614 | 6.319 | 6.142 | - | 6.319 | 5.650 | 5.118 | | | | | |
| | | 3/4" | 20 | mm | 15 | 15 | - | 15 | 168.5 | 169 | 156.5 | - | 161 | 144 | 150 | | | | |
| | | | (in) | 0.591 | 0.591 | - | 0.591 | 6.634 | 6.654 | 6.161 | - | 6.339 | 5.669 | 5.906 | | | | | |
| | | 1" | 25 | mm | 21 | 21 | 21 | 21 | 188.5 | 177 | 177 | 177 | 177 | 152 | 160 | | | | |
| | | | (in) | 0.827 | 0.827 | 0.827 | 0.827 | 7.421 | 6.969 | 6.969 | 6.969 | 6.969 | 5.984 | 6.299 | | | | | |
| | | | | | ØF | F1 (NAMUR) | G | ØH | | | | ØJ | | | | Weight ⁽¹⁾ | | | |
| | | | | | ISO | BPE | SMS | DIN | ISO | BPE | SMS | DIN | ISO | BPE | SMS | | DIN | | |
| | | | | 1/2" | 15 | mm | 65.5 | 82 | 47 | 34 | 25 | - | 34 | 27.5 | 20.32 | - | 27.5 | 1.4 | kg |
| | | | | (in) | (in) | 2.579 | 3.228 | 1.850 | 1.339 | 0.984 | - | 1.339 | 1.083 | 0.800 | - | 1.083 | 3.1 | (Lbs) | |
| | | | | 3/4" | 20 | mm | 65.5 | 82 | 47 | 50.5 | 25 | - | 34 | 43.5 | 20.32 | - | 27.5 | 1.7 | kg |
| | | | | (in) | (in) | 2.579 | 3.228 | 1.850 | 1.988 | 0.984 | - | 1.339 | 1.713 | 0.800 | - | 1.083 | 3.7 | (Lbs) | |
| | | 1" | 25 | mm | 65.5 | 82 | 47 | 50.5 | 50.39 | 50.5 | 50.5 | 43.5 | 43.64 | 43.5 | 43.5 | 1.8 | kg | | |
| | | (in) | (in) | 2.579 | 3.228 | 1.850 | 1.988 | 1.984 | 1.988 | 1.988 | 1.713 | 1.718 | 1.713 | 1.713 | 4.0 | (Lbs) | | | |

⁽¹⁾ Weight of valve without pilot.
For solenoid pilot valve, see dedicated catalog pages.

Dimensions mm (inches), Weight kg (Lbs)

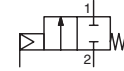


TYPE 03
63 mm actuator / Stainless steel actuator
Fluid entry:
under the disc at 2
above the disc at 1

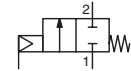


Configurator - CAD Files

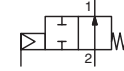
NC
entry
under the disc at 2



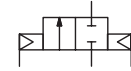
NC
entry
above the disc at 1



NO
entry
under the disc at 2



Bistable
entry
under the disc at 2



2 x 1/8" orifices for piloting

| Type | Ø (mm) | DN | ØA | | | | B | C | | | | D | E | | | | | |
|--------|--------|--------|-----|-----------------------|---------------|--------------------|---------------|-----------------|----------------|----------------|----------------|----------------|----------------|----------------|---------------|-----------------------|------------|-------------|
| | | | ISO | BPE | SMS | DIN | | ISO | BPE | SMS | DIN | | | | | | | |
| 03 | 63 | 1/2" | 15 | mm 15 (in) 0.591 | 9 0.354 | - | 15 0.591 | 182 7.165 | 175 6.890 | 171 6.732 | - | 175 6.890 | 158.5 6.240 | 130 5.118 | | | | |
| | | | 20 | mm 15 (in) 0.591 | 15 0.591 | - | 15 0.591 | 182.5 7.185 | 184 7.244 | 171.5 6.752 | - | 176 6.929 | 159 6.260 | 150 5.906 | | | | |
| | | 1" | 25 | mm 21 (in) 0.827 | 21 0.827 | - | 21 0.827 | 202.5 7.972 | 192 7.559 | 192 7.559 | 192 7.559 | 192 7.559 | 167 6.575 | 160 6.299 | | | | |
| | | | 32 | mm 30.3 (in) 1.193 | - | 30.3 1.193 | 30.3 1.193 | 224.5 8.839 | 203.5 8.012 | - | 203.5 8.012 | 203.5 8.012 | 178.5 7.028 | 180 7.087 | | | | |
| | | 1 1/2" | 40 | mm 33 (in) 1.299 | 33 1.299 | - | 33 1.299 | 226.5 8.917 | 212.5 8.366 | 205.5 8.091 | 205.5 8.091 | 205.5 8.091 | 180.5 7.106 | 200 7.874 | | | | |
| | | | 50 | mm 46.5 (in) 1.831 | 46.5 1.831 | - | 46.5 1.831 | 257.5 10.138 | 225.5 8.878 | 219 8.622 | 219 8.622 | 219 8.622 | 187 7.362 | 230 9.055 | | | | |
| | | | | | ØF | F1 (NAMUR) | G | ØH | | | | ØJ | | | | Weight ⁽¹⁾ | | |
| | | | | | mm | mm | mm | ISO | BPE | SMS | DIN | ISO | BPE | SMS | DIN | | | |
| | | 1/2" | | | 15 | 79.5 (in) 3.130 | 95 3.740 | 53 2.087 | 34 1.339 | 25 0.984 | - | 34 1.339 | 27.5 1.083 | 20.32 0.800 | - | 27.5 1.083 | 1.9 4.2 | kg (Lbs) |
| | | 3/4" | | | 20 | 79.5 (in) 3.130 | 95 3.740 | 53 2.087 | 50.5 1.988 | 25 0.984 | - | 34 1.339 | 43.5 1.713 | 20.32 0.800 | - | 27.5 1.083 | 2.2 4.9 | kg (Lbs) |
| | | 1" | | | 25 | 79.5 (in) 3.130 | 95 3.740 | 53 2.087 | 50.5 1.988 | 50.39 1.984 | 50.5 1.988 | 50.5 1.988 | 43.5 1.713 | 43.64 1.718 | 43.5 1.713 | 43.5 1.713 | 2.3 5.1 | kg (Lbs) |
| | | 1 1/4" | | | 32 | 79.5 (in) 3.130 | 95 3.740 | 53 2.087 | 50.5 1.988 | - | 50.5 1.988 | 50.5 1.988 | 43.5 1.713 | - | 43.5 1.713 | 43.5 1.713 | 2.7 6.0 | kg (Lbs) |
| 1 1/2" | | | 40 | 79.5 (in) 3.130 | 95 3.740 | 53 2.087 | 64 2.520 | 50.39 1.984 | 50.5 1.988 | 50.5 1.988 | 56.5 2.224 | 43.64 1.718 | 43.5 1.713 | 43.5 1.713 | 3.8 8.4 | kg (Lbs) | | |
| 2" | | | 50 | 79.5 (in) 3.130 | 95 3.740 | 53 2.087 | 77.5 3.051 | 63.91 2.516 | 64 2.520 | 64 2.520 | 70.5 2.776 | 56.34 2.218 | 56.5 2.224 | 56.5 2.224 | 4.5 9.9 | kg (Lbs) | | |

⁽¹⁾ Weight of valve without pilot.
For solenoid pilot valve, see dedicated catalog pages.

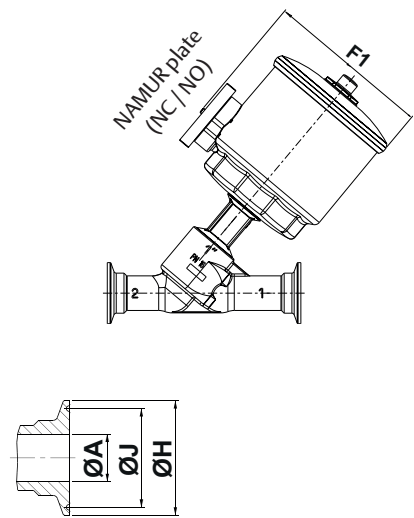
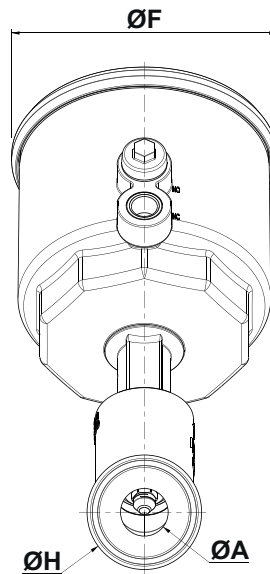
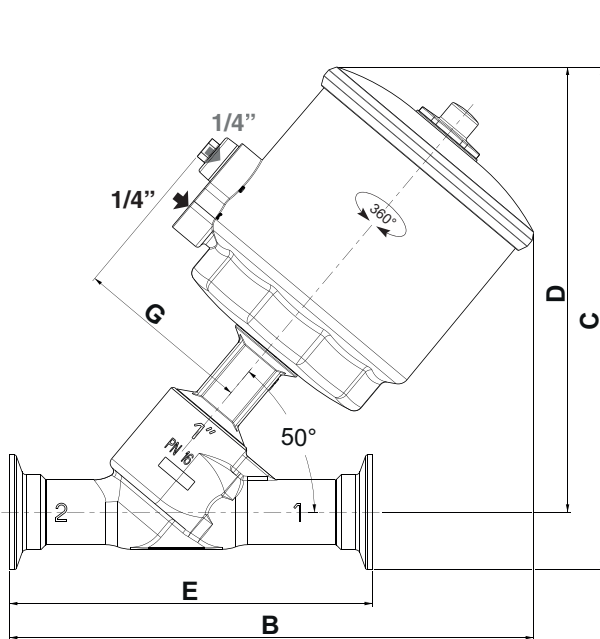
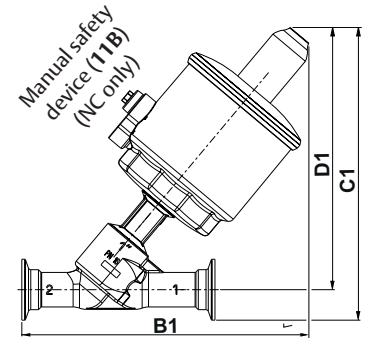
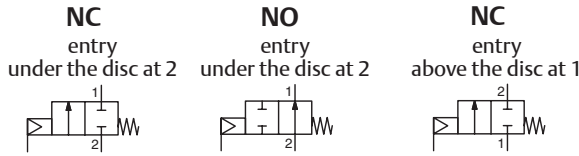
01535GB-2021/IR01
Availability, design and specifications are subject to change without notice. All rights reserved.

Dimensions mm (inches), Weight kg (Lbs)

Configurator - CAD Files



TYPE 04
90 mm actuator / Plastic actuator
Fluid entry:
under the disc at 2
above the disc at 1



| Type | Ø (mm) | DN | ØA | B | B1 (11B) | C | | | | C1 (11B) | | | | D | D1 (11B) | | |
|------|--------|--------|------------|---------|----------|--------|------------|-------|-------|----------|--------|--------|--------|-------|----------|-------|-----------------------|
| | | | | | | ISO | BPE | SMS | DIN | ISO | BPE | SMS | DIN | | | | |
| 04 | 90 | 1" | 25 | mm 21 | 231 | 237.5 | 221.5 | 221.5 | 221.5 | 221.5 | 241.5 | 241.5 | 241.5 | 241.5 | 196.5 | 216.5 | |
| | | | (in) 0.827 | 9.094 | 9.350 | 8.720 | 8.720 | 8.720 | 8.720 | 9.508 | 9.508 | 9.508 | 9.508 | 7.736 | 8.524 | | |
| | | 1 1/4" | 32 | mm 30.3 | 253.5 | 260 | 233 | - | 233 | 233 | 253 | - | 253 | 253 | 208 | 228 | |
| | | | (in) 1.193 | 9.980 | 10.236 | 9.173 | - | 9.173 | 9.173 | 9.961 | - | 9.961 | 9.961 | 8.189 | 8.976 | | |
| | | 1 1/2" | 40 | mm 33 | 255.5 | 262 | 242 | 235 | 235 | 235 | 262 | 255 | 255 | 255 | 210 | 230 | |
| | | | (in) 1.299 | 10.059 | 10.315 | 9.528 | 9.252 | 9.252 | 9.252 | 10.315 | 10.039 | 10.039 | 10.039 | 8.268 | 9.055 | | |
| | | 2" | 50 | mm 46.5 | 286.5 | 293 | 255 | 248.5 | 248.5 | 275 | 268.5 | 268.5 | 268.5 | 216.5 | 236.5 | | |
| | | | (in) 1.831 | 11.280 | 11.535 | 10.039 | 9.783 | 9.783 | 9.783 | 10.827 | 10.571 | 10.571 | 10.571 | 8.524 | 9.311 | | |
| | | 2 1/2" | 65 | mm 65 | 326.5 | 333 | 275 | - | - | - | 295 | - | - | - | 229.5 | 249.5 | |
| | | | (in) 2.559 | 12.854 | 13.110 | 10.827 | - | - | - | 11.614 | - | - | - | 9.035 | 9.823 | | |
| | | | | | E | ØF | F1 (NAMUR) | G | ØH | | | | ØJ | | | | Weight ⁽¹⁾ |
| | | | | | mm | 160 | 117 | 137 | 78.5 | 50.5 | 50.39 | 50.5 | 50.5 | 43.5 | 43.64 | 43.5 | 43.5 |
| | | | (in) | 6.299 | 4.606 | 5.394 | 3.091 | 1.988 | 1.984 | 1.988 | 1.988 | 1.713 | 1.718 | 1.713 | 1.713 | 4.9 | (Lbs) |
| | | | mm | 180 | 117 | 137 | 78.5 | 50.5 | - | 50.5 | 50.5 | 43.5 | - | 43.5 | 43.5 | 2.6 | kg |
| | | | (in) | 7.087 | 4.606 | 5.394 | 3.091 | 1.988 | - | 1.988 | 1.988 | 1.713 | - | 1.713 | 1.713 | 5.7 | (Lbs) |
| | | | mm | 200 | 117 | 137 | 78.5 | 64 | 50.39 | 50.5 | 50.5 | 56.5 | 43.64 | 43.5 | 43.5 | 3.7 | kg |
| | | | (in) | 7.874 | 4.606 | 5.394 | 3.091 | 2.520 | 1.984 | 1.988 | 1.988 | 2.224 | 1.718 | 1.713 | 1.713 | 8.2 | (Lbs) |
| | | | mm | 230 | 117 | 137 | 78.5 | 77.5 | 63.91 | 64 | 64 | 70.5 | 56.34 | 56.5 | 56.5 | 4.4 | kg |
| | | | (in) | 9.055 | 4.606 | 5.394 | 3.091 | 3.051 | 2.516 | 2.520 | 2.520 | 2.776 | 2.218 | 2.224 | 2.224 | 9.7 | (Lbs) |
| | | | mm | 290 | 117 | 137 | 78.5 | 91 | - | - | - | 83.5 | - | - | - | 6.5 | kg |
| | | | (in) | 11.417 | 4.606 | 5.394 | 3.091 | 3.583 | - | - | - | 3.287 | - | - | - | 14.3 | (Lbs) |

⁽¹⁾ Weight of valve without pilot.
For solenoid pilot valve, see dedicated catalog pages.

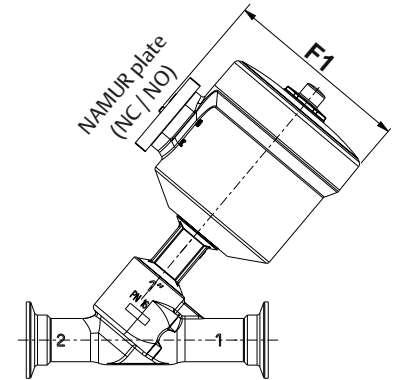
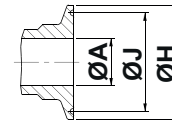
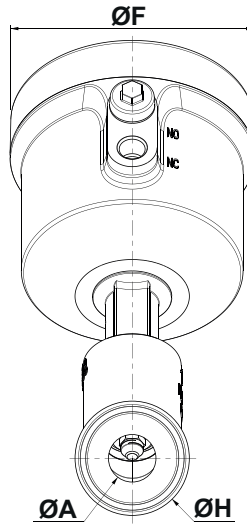
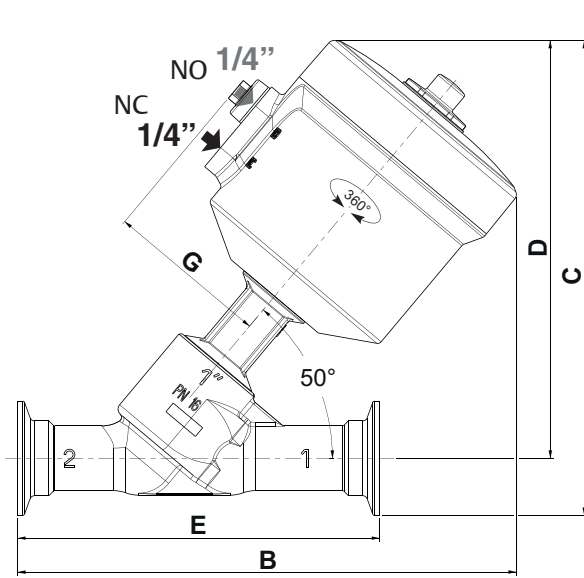
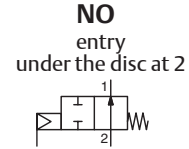
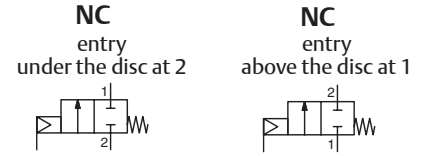
01535GB-2021/R01
Availability, design and specifications are subject to change without notice. All rights reserved.

Dimensions mm (inches), Weight kg (Lbs)

Configurator - CAD Files



TYPE 04
90 mm actuator / Stainless steel actuator
Fluid entry:
under the disc at 2
above the disc at 1



| Type | Ø (mm) | DN | ØA | B | C | | | | D | E | ØF | F1 (NAMUR) | | | | | | |
|--------|--------|------------|----|------------|---------------|----------------|-----------------|----------------|----------------|----------------|----------------|---------------|--------------|--------------|-------|-----------------------|-----|-------|
| | | | | | ISO | BPE | SMS | DIN | | | | | | | | | | |
| 04 | 90 | 1" | 25 | mm (in) | 21 0.827 | 220.5 8.681 | 210 8.268 | 210 8.268 | 210 8.268 | 185 7.283 | 160 6.299 | 108 4.252 | 126 4.961 | | | | | |
| | | | 32 | mm (in) | 30.3 1.193 | 243 9.567 | 221.5 8.720 | - - | 221.5 8.720 | 221.5 8.720 | 196.5 7.736 | 180 7.087 | 108 4.252 | 126 4.961 | | | | |
| | | 1 1/4" | 40 | mm (in) | 33 1.299 | 245 9.646 | 230.5 9.075 | 223.5 8.799 | 223.5 8.799 | 223.5 8.799 | 198.5 7.815 | 200 7.874 | 108 4.252 | 126 4.961 | | | | |
| | | | 50 | mm (in) | 46.5 1.831 | 276 10.866 | 243.5 9.587 | 237 9.331 | 237 9.331 | 237 9.331 | 205 8.071 | 230 9.055 | 108 4.252 | 126 4.961 | | | | |
| | | 2" | 65 | mm (in) | 65 2.559 | 316 12.441 | 263.5 10.374 | - - | - - | - - | 218 8.583 | 290 11.417 | 108 4.252 | 126 4.961 | | | | |
| | | | 65 | mm (in) | 65 2.559 | 316 12.441 | 263.5 10.374 | - - | - - | - - | 218 8.583 | 290 11.417 | 108 4.252 | 126 4.961 | | | | |
| | | 04 | 90 | 1" | 25 | mm (in) | G | ØH | | | | ØJ | | | | Weight ⁽¹⁾ | | |
| | | | | | | | | ISO | BPE | SMS | DIN | ISO | BPE | SMS | DIN | | | |
| | | | | 1 1/4" | 32 | mm (in) | G | 72 | 50.5 | 50.39 | 50.5 | 50.5 | 43.5 | 43.64 | 43.5 | 43.5 | 3.4 | kg |
| | | | | | | | | 2.835 | 1.988 | 1.984 | 1.988 | 1.988 | 1.713 | 1.718 | 1.713 | 1.713 | 7.5 | (Lbs) |
| 1 1/2" | 40 | | | mm (in) | G | 72 | 50.5 | - | 50.5 | 50.5 | 43.5 | - | 43.5 | 43.5 | 3.8 | kg | | |
| | | | | | | 2.835 | 1.988 | - | 1.988 | 1.988 | 1.713 | - | 1.713 | 1.713 | 8.4 | (Lbs) | | |
| 2" | 50 | mm (in) | G | 72 | 64 | 50.39 | 50.5 | 50.5 | 56.5 | 43.64 | 43.5 | 43.5 | 4.8 | kg | | | | |
| | | | | 2.835 | 2.520 | 1.984 | 1.988 | 1.988 | 2.224 | 1.718 | 1.713 | 1.713 | 10.6 | (Lbs) | | | | |
| 2 1/2" | 65 | mm (in) | G | 72 | 77.5 | 63.91 | 64 | 64 | 70.5 | 56.34 | 56.5 | 56.5 | 5.6 | kg | | | | |
| | | | | 2.835 | 3.051 | 2.516 | 2.520 | 2.520 | 2.776 | 2.218 | 2.224 | 2.224 | 12.3 | (Lbs) | | | | |
| 2 1/2" | 65 | mm (in) | G | 72 | 91 | - | - | - | 83.5 | - | - | - | 7.7 | kg | | | | |
| | | | | 2.835 | 3.583 | - | - | - | 3.287 | - | - | - | - | 17.0 | (Lbs) | | | |

⁽¹⁾ Weight of valve without pilot.
For solenoid pilot valve, see dedicated catalog pages.

01535GB-2021/RO1
Availability, design and specifications are subject to change without notice. All rights reserved.

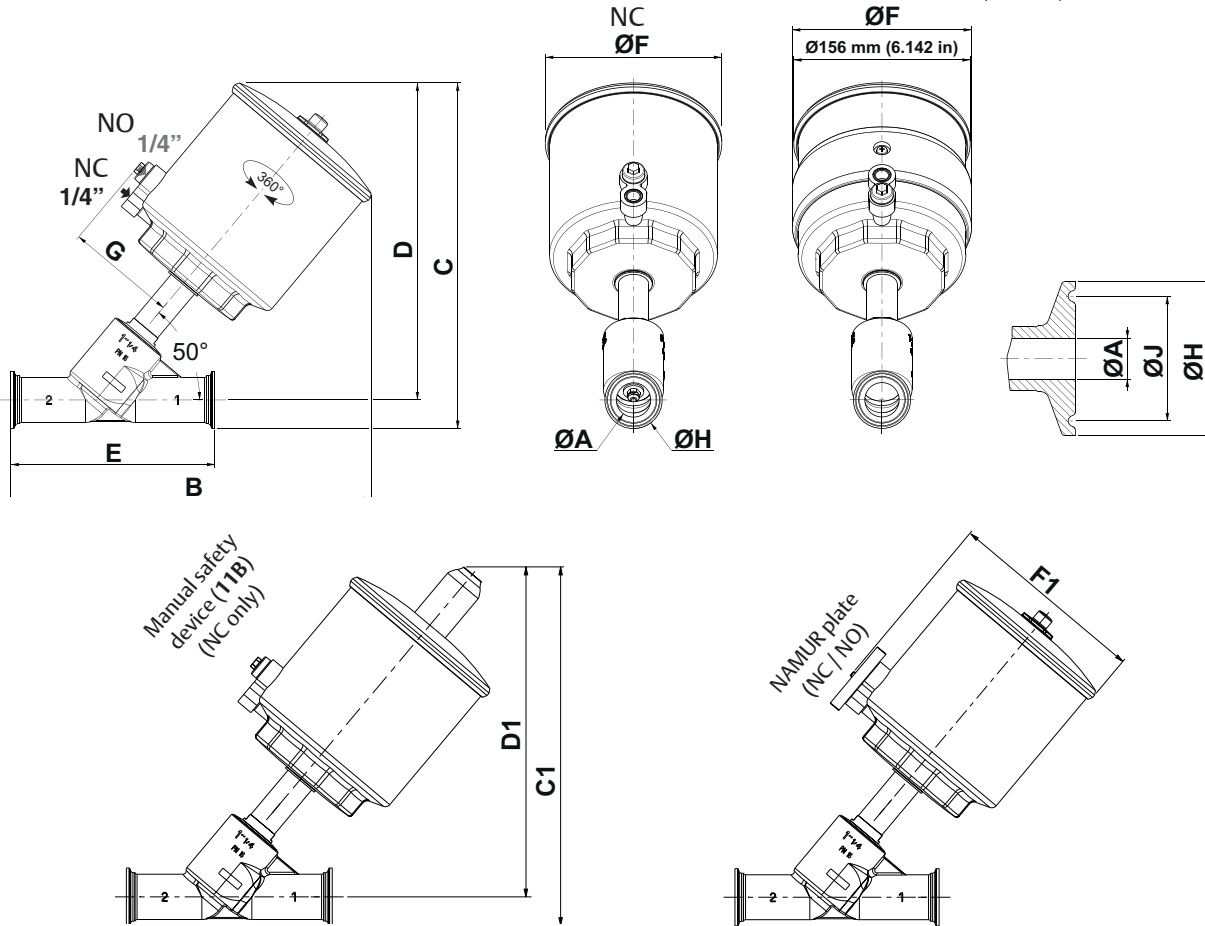
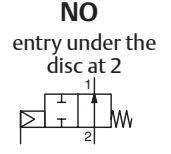
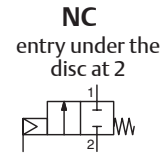
ASCO™ Pneumatic Angle Seat Valves

Dimensions mm (inches), Weight kg (Lbs)

Configurator - CAD Files



TYPE 05
125 mm actuator / Plastic actuator
Fluid entry:
under the disc at 2



| Type | Ø (mm) | DN | ØA | B | C | | | | C1 (11 B) | | | | D | D1 (11B) | E | | | |
|------|--------|--------|----|------|-------|--------|--------|--------|-----------|--------|--------|--------|--------|----------|--------|--------|--------|--|
| | | | | | ISO | BPE | SMS | DIN | ISO | BPE | SMS | DIN | | | | | | |
| 05 | 125 | 1 1/4" | 32 | mm | 30.3 | 318 | 305 | - | 305 | 305 | 313.5 | - | 313.5 | 313.5 | 279.5 | 288 | 180 | |
| | | | | (in) | 1.193 | 12.520 | 12.008 | - | 12.008 | 12.008 | 12.343 | - | 12.343 | 12.343 | 11.004 | 11.339 | 7.087 | |
| | | 1 1/2" | 40 | mm | 33 | 321 | 315 | 308.5 | 308.5 | 308.5 | 323.5 | 317 | 317 | 317 | 283 | 291.5 | 200 | |
| | | | | (in) | 1.299 | 12.638 | 12.402 | 12.146 | 12.146 | 12.146 | 12.736 | 12.480 | 12.480 | 12.480 | 11.142 | 11.476 | 7.874 | |
| | | 2" | 50 | mm | 46.5 | 353.5 | 330 | 323 | 323 | 323 | 338.5 | 331.5 | 331.5 | 331.5 | 291 | 299.5 | 230 | |
| | | | | (in) | 1.831 | 13.917 | 12.992 | 12.717 | 12.717 | 12.717 | 13.327 | 13.051 | 13.051 | 13.051 | 11.457 | 11.791 | 9.055 | |
| | | 2 1/2" | 65 | mm | 65 | 396 | 353 | - | - | - | 361.5 | - | - | - | 307.5 | 316 | 290 | |
| | | | | (in) | 2.559 | 15.591 | 13.898 | - | - | - | 14.232 | - | - | - | 12.106 | 12.441 | 11.417 | |
| | | | | | | | | | | | | | | | | | | |
| | | | | | | | | | | | | | | | | | | |
| | | | | | | | | | | | | | | | | | | |
| | | | | | | | | | | | | | | | | | | |
| | | | | | | | | | | | | | | | | | | |
| | | | | | | | | | | | | | | | | | | |

| Type | Ø (mm) | DN | ØA | B | ØF | | F1 (NAMUR) | G | ØH | | | | ØJ | | | | Weight ⁽¹⁾ | |
|--------|--------|--------|-------|-------|-------|-------|------------|-------|-------|-------|-------|-------|-------|-------|-------|-------|-----------------------|-------|
| | | | | | NC | NO | | | ISO | BPE | SMS | DIN | ISO | BPE | SMS | DIN | | |
| 05 | 125 | 1 1/4" | 32 | mm | 156 | 158 | 175 | 97 | 50.5 | - | 50.5 | 50.5 | 43.5 | - | 43.5 | 43.5 | 5.6 | kg |
| | | | | (in) | 6.142 | 6.220 | 6.890 | 3.819 | 1.988 | - | 1.988 | 1.988 | 1.713 | - | 1.713 | 1.713 | 12.3 | (Lbs) |
| | | 1 1/2" | 40 | mm | 156 | 158 | 175 | 97 | 64 | 50.39 | 50.5 | 56.5 | 43.64 | 43.5 | 43.5 | 6.9 | kg | |
| | | | | (in) | 6.142 | 6.220 | 6.890 | 3.819 | 2.520 | 1.984 | 1.988 | 1.988 | 2.224 | 1.718 | 1.713 | 1.713 | 15.2 | (Lbs) |
| 2" | 50 | mm | 156 | 158 | 175 | 97 | 77.5 | 63.91 | 64 | 70.5 | 56.34 | 56.5 | 56.5 | 7.7 | kg | | | |
| | | (in) | 6.142 | 6.220 | 6.890 | 3.819 | 3.051 | 2.516 | 2.520 | 2.520 | 2.776 | 2.218 | 2.224 | 2.224 | 17.0 | (Lbs) | | |
| 2 1/2" | 65 | mm | 156 | 158 | 175 | 97 | 91 | - | - | - | 83.5 | - | - | 10 | kg | | | |
| | | (in) | 6.142 | 6.220 | 6.890 | 3.819 | 3.583 | - | - | - | 3.287 | - | - | 22.0 | (Lbs) | | | |

⁽¹⁾ Weight of valve without pilot.
For solenoid pilot valve, see dedicated catalog pages.

01535GB-2021/R01
Availability, design and specifications are subject to change without notice. All rights reserved.

