

# ASCO™ Pneumatic Angle Seat Valves

For Combustible Gases, Entry under the disc, Plastic Actuator

2-way, Pressure Operated, Bronze or Stainless Steel Bodies, 3/8" to 2" Tapped

2/2 NC  
Series  
**290**

## Features and Benefits

- Valves for combustible gases with bronze or stainless steel body
- Valve satisfy the Pressure Equipment Directive 2014/68/EU and GAR regulation EU/2016/426 on gas appliances. These valves meet the NF EN 161/A3: 2013, NF EN 16678: 2016 and NF EN 13611 + A2: 2011 standards with EU type examination certificate no.: CERTIGAZ 1312DM6518
- Suitable for Class D, Groupe 2 service, gas families 1, 2 and 3
- Suitable to withstand 150 mbar back pressure
- High flow, with fluid entry under the disc
- High-performance, maintenance-free stuffing box
- Large piloting orifice and low hysteresis permit fast cycles

## General

Fluids	Temperature range (TS)	Disc seal (*)
Gas family 1, 2, 3	-10°C to +60°C	PTFE

**Differential pressure** 0 to 10 bar (0 to 150 psi) [1 bar = 100 kPa]

**Time for closing / for opening** 1 s max. with pilot solenoid valve directly connected to valve actuator

**Note: Opening and closing times depend on using pilot valves that meet the requirements in the table below**

<b>Pilot fluid</b>	Air
<b>Max. pilot pressure</b>	9 bar (135 psi)
<b>Min. pilot pressure</b>	See page 3
<b>Pilot fluid temperature</b>	-10°C to +60°C (14°F to 140°F)

## Construction

**Thread connection** 3/8" to 2" (DN10 to DN50)

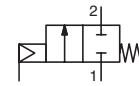
## Materials of components in contact with fluid

(\*) Ensure that compatibility of materials in contact with fluids is verified.

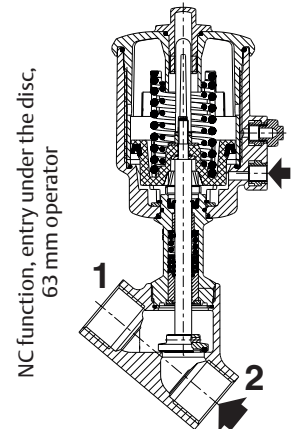
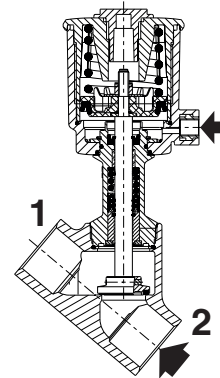
	Bronze version	Stainless steel version
<b>Body</b>	Bronze	Stainless steel AISI 316L
<b>Stuffing box housing</b>	Brass	Stainless steel AISI 316L
<b>Actuator pilot insert</b>	Brass	Brass
<b>Stem</b>	Stainless steel AISI 431	Stainless steel AISI 316L
<b>Disc</b>	Brass	Stainless steel AISI 316L
<b>Disc seal</b>	PTFE	PTFE
<b>Wiper seal</b>	FPM	FPM
<b>Stuffing box packing</b>	PTFE	PTFE
<b>Valve body seal</b>	PTFE	PTFE

## Other components

<b>Actuator</b>	Glass fiber filled PA	Glass fiber filled PA
<b>(32 mm, 50 mm or 63 mm)</b>		
<b>Optical position indicator</b>	PA 12	PA 12



NC function, entry under the disc,  
50 mm plastic actuator



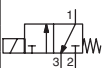
NC function, entry under the disc,  
63 mm operator

**Certifications and Approvals**

- Pressure Equipment Directive 2014/68/EU
- Functional Safety of Machinery: EN ISO 13849-1
- Reach compliant
- IEC 61508 Standard (2010 route 2<sub>H</sub> version) certified with integrity levels: SIL 2 for HFT = 0
- The valves satisfy all relevant EU and EAC directives
- RoHS compatible only for stainless steel valve body

**Pilot solenoid valve selection**

- Must meet European low voltage directive and electromagnetic compatibility requirements
- 3/2 normally closed with non-locking item

	Kv (m <sup>3</sup> /h) min. <sup>(1)</sup> through pilot valve required to		Response time (ms) through pilot valve required to		Pilot valve recommended						
	Close the valve	Open the valve	Close the valve	Open the valve	Designation	Thread type	15-DIGIT PRODUCT CODE				
							Brass	Stainless steel	Voltage code		
	230 V /50-60 Hz	110 V /50 Hz (120 V / 60 Hz)	24 V /50-60 Hz								
<b>356 pilot -NC - Normally closed (without manual operator)</b>											
0.04	0.04	10	7	356 G1/8 Ø1.6	G	G356C135S19FM	G356C145S19FM	FH	F0	FQ	
					NPT	8356C135S19FM	8356C145S19FM	FH	F0	FQ	

<sup>(1)</sup> Including pipe up to main valve.

**Options<sup>(2)</sup>**

- Explosive atmospheres, ATEX and IECEx compliant
- Large range of switch boxes certified
- Valve body material composition certificate 3.1 only for stainless steel valve body
- Stroke limiter for opening

<sup>(2)</sup> See Choice of options and accessories (page 6)

## Specifications

Piping (ISO 6708)		Flow [air]		Flow coefficient Kv (Cv)	Pilot pressure bar (psi)		Operating pressure differential (bar)	Actuator diameter (mm)	Dimensions / Type <sup>(1)</sup>	Catalog number	
Pipe size (G / NPTF)	DN	<sup>(1)</sup> m <sup>3</sup> /h (l/min)			Min. <sup>(2)</sup>	Max.				Max.	Plastic actuator
<b>NC - Normally closed, entry under the disc, bronze body</b>											
										Thread type G*	Thread type NPTF
										With G 1/8 piloting connection	With NPTF 1/8 piloting connection
1/2"	15	60	1000	5.8 (6.7)	4.5 (70)	9 (135)	1 (15)	50	02	E290D0230DEGA00	8290D0240DEGA00
3/4"	20	130	2160	10.7 (12.4)	4.5 (70)	9 (135)	1 (15)	50	02	E290D0330DEGA00	8290D0340DEGA00
1"	25	180	3000	15.5 (18)	4.5 (70)	9 (135)	1 (15)	50	02	E290D0430DEGA00	8290D0440DEGA00
<b>NC - Normally closed, entry under the disc, stainless steel body</b>											
										Thread type G*	Thread type NPTF
										With G 1/8 piloting connection	With NPTF 1/8 piloting connection
3/8"	10	30	500	2.8 (3.2)	5.5 (80)	9 (135)	1 (15)	32	01	E290D0110SEGA00	8290D0120SEGA00
1/2"	15	40	660	4.1 (4.7)	5.5 (80)	9 (135)	1 (15)	32	01	E290D0210SEGA00	8290D0220SEGA00
		60	1000	5.8 (6.7)	4.5 (70)	9 (135)	1 (15)	50	02	E290D0230SEGA00	8290D0240SEGA00
		60	1250	5.8 (6.7)	3.5 (50)	9 (135)	1 (15)	63	03	E290D0250SEGA00	8290D0260SEGA00
3/4"	20	75	1250	6.5 (7.5)	5.5 (80)	9 (135)	1 (15)	32	01	E290D0310SEGA00	8290D0320SEGA00
		130	2160	10.7 (12.4)	4.5 (75)	9 (135)	1 (15)	50	02	E290D0330SEGA00	8290D0340SEGA00
		130	2083	10.7 (12.4)	4.5 (75)	9 (135)	1 (15)	63	03	E290D0350SEGA00	8290D0360SEGA00
1"	25	180	3000	15.5 (18)	4.5 (75)	9 (135)	1 (15)	50	02	E290D0430SEGA00	8290D0440SEGA00
		200	3330	17.7 (20.5)	4.5 (75)	9 (135)	1 (15)	63	03	E290D0450SEGA00	8290D0460SEGA00
1 1/4"	32	330	5500	25.2 (29.2)	4.5 (75)	9 (135)	1 (15)	63	03	E290D0550SEGA00	8290D0560SEGA00
1 1/2"	40	350 <sup>(2)</sup>	5830 <sup>(3)</sup>	38.3 (44.4)	4.5 (75)	9 (135)	1 (15)	63	03	E290D0650SEGA00	8290D0660SEGA00
2"	50	350 <sup>(3)</sup>	5830 <sup>(3)</sup>	51.5 (59.7)	4.5 (75)	9 (135)	1 (15)	63	03	E290D0750SEGA00	8290D0760SEGA00

<sup>(1)</sup> Air flow rate at ΔP = 100 mb / 1.5 psi (except DN40 and DN50)

<sup>(2)</sup> ΔP = 60 mb (0.9 psi)    <sup>(3)</sup> ΔP = 40 mb (0.6 psi)

01561CB-2021/R01 Availability, design and specifications are subject to change without notice. All rights reserved.

**Product selection guide**

**PRODUCT CODE**

**E 290 D 0 3 5 0 D EGA 00**

**Connection type**

**E** = ISO 228/1 & ISO 7/1  
(combination thread, G\*)  
**8** = NPTF (ANSI B 1.20.3)

**Product series**  
**290**

**Revision letter**  
**D** = Initial release

**Function**  
**0** = Normally Closed - Under the disc

**Nominal diameter**

**1** = DN 10 - 3/8"  
**2** = DN 15 - 1/2"  
**3** = DN 20 - 3/4"  
**4** = DN 25 - 1"  
**5** = DN 32 - 1" 1/4  
**6** = DN 40 - 1" 1/2  
**7** = DN 50 - 2"

**Actuator diameter - Piloting connections**

**1** = 32 mm plastic - G 1/8"  
**2** = 32 mm plastic - NPT 1/8"  
**3** = 50 mm plastic - G 1/8"  
**4** = 50 mm plastic - NPTF 1/8"  
**5** = 63 mm plastic - G 1/8"  
**6** = 63 mm plastic - NPTF 1/8"

**Options <sup>(1)</sup>**

**EGA** = Gas certified  
(NF EN 161 and NF EN 16678)  
**AT1** = ATEX/IECEx 1/21 zones <sup>(1)</sup>  
**AT0** = ATEX/IECEx 0/20 zones <sup>(1)</sup>  
**PFB** = Prepared for  
signaling box mounting <sup>(1)</sup>  
**125** = CTR certification  
(EAC Ex 1/21 zones) for product  
**STL** = Stroke limiter for opening <sup>(1)</sup>  
**SSF** = AISI 316L stainless steel pilot insert  
for plastic actuator <sup>(1)</sup>  
**M31** = Stainless steel valve body material  
certificate 3.1 <sup>(1)</sup>  
**327** = Adaptation for pilot 327 <sup>(1)</sup>  
**V10** = Visual indicator <sup>(2)</sup>  
**SSF** = Stainless steel insert for  
plastic actuator

**Valve body and disc seal material**

**D** = Bronze body  
**S** = Stainless steel body

**Port type 1-2**

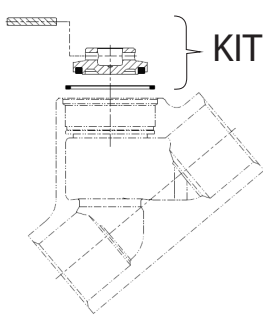
**0** = Threaded port

<sup>(1)</sup> See "Choice of options and accessories",  
pages 6 to 8

<sup>(2)</sup> For 32 mm and 50 mm actuators  
(standard for 63 mm actuator)

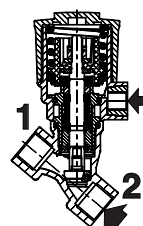
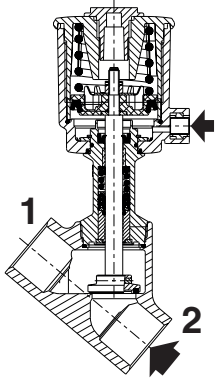
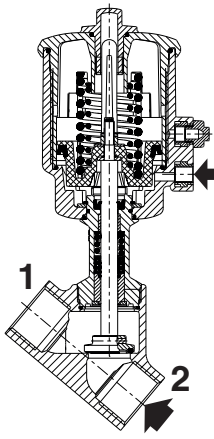
## Repair Kits and Service Parts

Angle seat valves (bronze and stainless steel bodies)

All body versions	Ø	DN	Spare parts kits no. 50 mm and 63 mm actuators Entry under the disc	
			Plastic actuator	Stainless steel actuator
				1/2"
3/4"	20	M29054935101600	M29054935100900	
1"	25	M29054935101700	M29054935101000	
1 1/4"	32	M29054935101800	M29054935101100	
1 1/2"	40	M29054935101900	M29054935101200	
2"	50	M29054935102000	M29054935101300	

## View showing the function / actuator / flow direction

NC - Normally closed, entry under the disc







Stainless steel body, plastic actuator	Bronze or stainless steel body, plastic actuator	
32 mm actuator	50 mm actuator	63 mm actuator
		

## Installation

- Install strainer upstream of valve with a mesh size less than 1.5 mm through which a 1 mm dia. rod cannot pass
- The valves can be mounted in any position without affecting operation
- Adjustable actuator enables 360° access to pilot port
- Pipe connections (G\*) have standard combination thread according to ISO 228/1 and ISO 7/1
- Thread connection (NPTF) has a standard thread according to ANSI B 1.20.3
- Pilot thread connection (G) or (NPTF) has a standard thread according to ISO 228/1 or ANSI B 1.20.3
- Installation/maintenance instructions in multiple languages are available on our website



01561CB-2021/R01  
Availability, design and specifications are subject to change without notice. All rights reserved.

**Choice of options and accessories**

Options	NC		Actuator diameter compatibility (mm)																																																								
	Fluid entry under the disc		32	50	63																																																						
	AT0	•	•	•	•	<p><b>ATEX/IECEx</b></p> <ul style="list-style-type: none"> <li>2/2 valves NC/NO designed for use in potentially explosive atmospheres in accordance with ATEX-Directive 2014/34/EU EC type examination certificate no.: <b>LCIE 20 ATEX 3037 X</b> IECEx Certificate of Conformity no.: <b>IECEx LCIE 20.0025X</b></li> <li>Compliance with the Essential Health and Safety Requirements of the ATEX Directive has been assured by compliance with European Standards EN ISO 80079-36 and EN ISO 80079-37</li> <li>Recommended for applications in the chemical, oil, gas and paint coating industries etc.</li> </ul> <p>ATEX-Directive 2014/34/EU, category 1</p> <table border="1"> <thead> <tr> <th colspan="6">Classification (zones) Category 1</th> </tr> <tr> <th colspan="3">Dusts</th> <th colspan="3">Gas</th> <th rowspan="2">Safety code</th> </tr> <tr> <th>IIIA</th> <th>IIIB</th> <th>IIIC</th> <th>IIA</th> <th>IIB</th> <th>IIC</th> </tr> </thead> <tbody> <tr> <td colspan="3">Zone 20</td> <td colspan="3">Zone 0</td> <td>                     Ⓢ II 1G Ex h IIC T* Ga                      Ⓢ II 1D Ex h IIIC T*°C Da                 </td> </tr> </tbody> </table> <table border="1"> <thead> <tr> <th colspan="2">1GD</th> <th colspan="2">Plastic actuator</th> </tr> <tr> <th>T*°C</th> <th>T*</th> <th>Ts amb</th> <th>T fluid</th> </tr> </thead> <tbody> <tr> <td>300°C</td> <td>T2</td> <td>-</td> <td>-</td> </tr> <tr> <td>200°C</td> <td>T3</td> <td>60°C</td> <td>145°C</td> </tr> <tr> <td>135°C</td> <td>T4</td> <td>60°C</td> <td>93°C</td> </tr> <tr> <td>100°C</td> <td>T5</td> <td>60°C</td> <td>65°C</td> </tr> <tr> <td>85°C</td> <td>T6</td> <td>60°C</td> <td>53°C</td> </tr> </tbody> </table> <p> </p>	Classification (zones) Category 1						Dusts			Gas			Safety code	IIIA	IIIB	IIIC	IIA	IIB	IIC	Zone 20			Zone 0			Ⓢ II 1G Ex h IIC T* Ga Ⓢ II 1D Ex h IIIC T*°C Da	1GD		Plastic actuator		T*°C	T*	Ts amb	T fluid	300°C	T2	-	-	200°C	T3	60°C	145°C	135°C	T4	60°C	93°C	100°C	T5	60°C	65°C	85°C	T6	60°C
Classification (zones) Category 1																																																											
Dusts			Gas			Safety code																																																					
IIIA	IIIB	IIIC	IIA	IIB	IIC																																																						
Zone 20			Zone 0			Ⓢ II 1G Ex h IIC T* Ga Ⓢ II 1D Ex h IIIC T*°C Da																																																					
1GD		Plastic actuator																																																									
T*°C	T*	Ts amb	T fluid																																																								
300°C	T2	-	-																																																								
200°C	T3	60°C	145°C																																																								
135°C	T4	60°C	93°C																																																								
100°C	T5	60°C	65°C																																																								
85°C	T6	60°C	53°C																																																								
AT1	•	•	•	•	<p><b>ATEX/IECEx</b></p> <ul style="list-style-type: none"> <li>2/2 valves NC/NO designed for use in potentially explosive atmospheres in accordance with ATEX-Directive 2014/34/EU EC type examination certificate no.: <b>LCIE 20 ATEX 3037 X</b> IECEx Certificate of Conformity no.: <b>IECEx LCIE 20.0025X</b></li> <li>Compliance with the Essential Health and Safety Requirements of the ATEX Directive has been assured by compliance with European Standards EN ISO 80079-36 and EN ISO 80079-37</li> <li>Recommended for applications in the chemical, oil, gas and paint coating industries etc.</li> </ul> <p>ATEX-Directive 2014/34/EU, category 2</p> <table border="1"> <thead> <tr> <th colspan="6">Classification (zones) Category 2</th> </tr> <tr> <th colspan="3">Dusts</th> <th colspan="3">Gas</th> <th rowspan="2">Safety code</th> </tr> <tr> <th>IIIA</th> <th>IIIB</th> <th>IIIC</th> <th>IIA</th> <th>IIB</th> <th>IIC</th> </tr> </thead> <tbody> <tr> <td colspan="3">Zone 21</td> <td colspan="3">Zone 1</td> <td>                     Ⓢ II 2G Ex h IIC T* Gb X                      Ⓢ II 2D Ex h IIIC T*°C Db X                 </td> </tr> </tbody> </table> <table border="1"> <thead> <tr> <th colspan="2">2GD</th> <th colspan="2">Plastic actuator</th> </tr> <tr> <th>T*°C</th> <th>T*</th> <th>Ts amb</th> <th>T fluid</th> </tr> </thead> <tbody> <tr> <td>300°C</td> <td>T2</td> <td>-</td> <td>-</td> </tr> <tr> <td>200°C</td> <td>T3</td> <td>60°C</td> <td>180°C</td> </tr> <tr> <td>135°C</td> <td>T4</td> <td>60°C</td> <td>115°C</td> </tr> <tr> <td>100°C</td> <td>T5</td> <td>60°C</td> <td>80°C</td> </tr> <tr> <td>85°C</td> <td>T6</td> <td>60°C</td> <td>60°C</td> </tr> </tbody> </table> <p>   </p> <p>T*°C = Surface temperature T* = Temperature class Ts amb = Ambient temperature T fluid = Fluid temperature</p>	Classification (zones) Category 2						Dusts			Gas			Safety code	IIIA	IIIB	IIIC	IIA	IIB	IIC	Zone 21			Zone 1			Ⓢ II 2G Ex h IIC T* Gb X Ⓢ II 2D Ex h IIIC T*°C Db X	2GD		Plastic actuator		T*°C	T*	Ts amb	T fluid	300°C	T2	-	-	200°C	T3	60°C	180°C	135°C	T4	60°C	115°C	100°C	T5	60°C	80°C	85°C	T6	60°C	60°C
Classification (zones) Category 2																																																											
Dusts			Gas			Safety code																																																					
IIIA	IIIB	IIIC	IIA	IIB	IIC																																																						
Zone 21			Zone 1			Ⓢ II 2G Ex h IIC T* Gb X Ⓢ II 2D Ex h IIIC T*°C Db X																																																					
2GD		Plastic actuator																																																									
T*°C	T*	Ts amb	T fluid																																																								
300°C	T2	-	-																																																								
200°C	T3	60°C	180°C																																																								
135°C	T4	60°C	115°C																																																								
100°C	T5	60°C	80°C																																																								
85°C	T6	60°C	60°C																																																								

01561GB-2021/R01  
Availability, design and specifications are subject to change without notice. All rights reserved.

## Choice of options and accessories

Options	NC Fluid entry under the disc	Actuator diameter compatibility (mm)			
		32	50	63	
PFB	●	-	●	●	 Prepared for signaling box mounting
-	●	-	●	●	 See the dedicated catalogue pages • The signaling box fits on compatible actuators to indicate whether the valve is open or closed

<sup>(1)</sup> When a combination of several options are selected (using the product configurator on our website) you will be provided with a specific combination code

## Product selection guide - Signaling box

### PRODUCT CODE

P 890 A T 1 0 0 2 EGA 00

#### Connection type

P = No piloting connection

#### Product series

890 = Signaling units for air operated valves

#### Revision letter

A = Initial release

#### Enclosure type

T = Signaling box

#### Sensor type - Enclosure type

- 1 = Mechanical switch - Plastic/Transparent plastic cover
- 2 = Mechanical switch - Stainless steel cover
- 3 = Mechanical switch - Aluminium cover
- 4 = Inductive switch PNP - Plastic/Transparent plastic cover
- 5 = Inductive switch PNP - Stainless steel cover
- 6 = Inductive switch NPN - Aluminium cover
- 7 = Inductive switch NPN - Plastic/Transparent plastic cover
- 8 = Inductive switch NPN - Stainless steel cover
- 9 = Inductive switch NPN - Aluminium cover
- A = Inductive switch Ex ia NAMUR - PPlastic/Transparent plastic cover

#### Piloting voltage

00 = No pilot

#### Options <sup>(1)</sup>

- EGA = EN 161 gas certified
- V11 = Visualization optimized by LED (360°)

#### Valve type (290 NC)



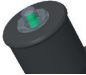
- 1 = Plastic actuator 50 mm and stainless steel actuators 50 mm / 63 mm
- 2 = Plastic actuator 63 mm

#### Communication features - Electrical connection type

- 0 = No communication - Cable gland

01561CB-2021/R01 Availability, design and specifications are subject to change without notice. All rights reserved.

**Choice of options and accessories**

Options	NC		Actuator diameter compatibility (mm)			
	Fluid entry under the disc					
		32	50	63		
STL	●	-	●	●		Stroke limiter for opening
SSF	●	●	●	●		AISI 316L stainless steel pilot insert for plastic actuator (stainless steel body)
M31	●	●	●	●		Valve body material composition certificate 3.1 (only for stainless steel valve body)
V10	●	●	●	-		Visual position indicator <sup>(1)</sup> • Visual indication of open or closed position for NC valves with 32 mm or 50 mm actuator <sup>(1)</sup> Standard indicator for 63 mm actuator

*When a combination of several options are selected (using the product configurator on our website) you will be provided with a specific combination code*

• Available feature

01561GB-2021/R01  
Availability, design and specifications are subject to change without notice. All rights reserved.

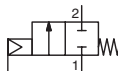


# ASCO™ Pneumatic Angle Seat Valves

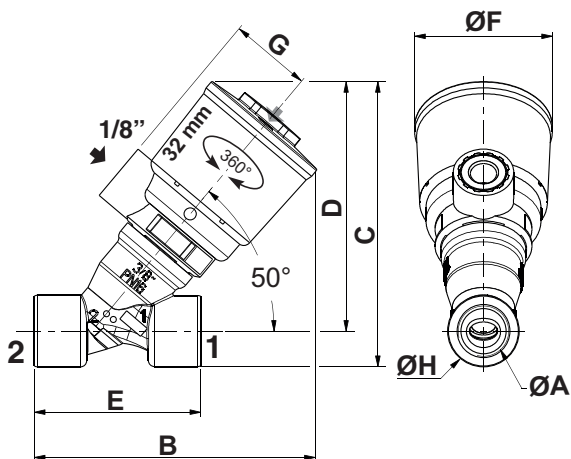
## Dimensions mm (inches)



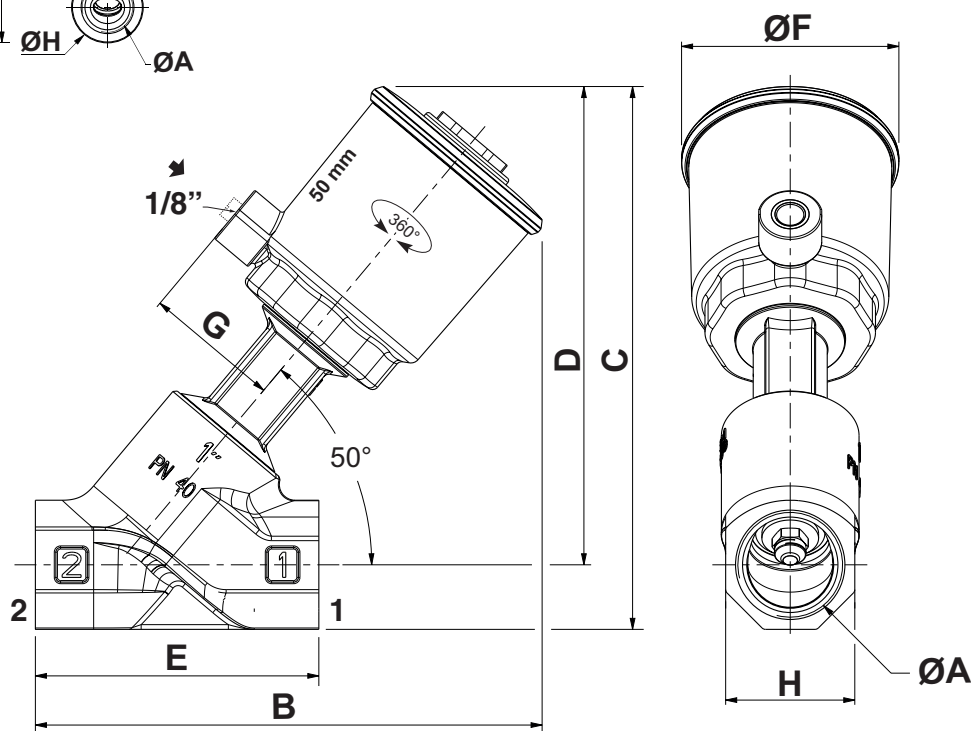
**TYPE 01 and 02**  
32 mm and 50 mm actuators  
NC - Fluid entry:  
under the disc at 2



**Stainless steel body - 32 mm actuator**



**Bronze or stainless steel body - 50 mm plastic actuator**



Type	Actuator diameter	ØA	B	C	D	E	ØF	G	H
			Stainless steel body, plastic actuator						
01	32 mm	G* 3/8" mm	94	94	83	55	46	27	24
		NPTF 3/8" (in)	3.681	3.701	3.248	2.165	1.791	1.063	0.945
		G* 1/2" mm	100	98	85	65	46	27	28
		NPTF 1/2" (in)	3.937	3.858	3.327	2.559	1.791	1.063	1.083
		G* 3/4" mm	108	106	90	75	46	27	32
NPTF 3/4" (in)	4.252	4.154	3.524	2.953	1.791	1.063	1.260		
Bronze or stainless steel body, plastic actuator									
02	50 mm	G* 1/2" mm	147.5	156.5	143	65	69	43	27
		NPTF 1/2" (in)	5.807	6.161	5.630	2.559	2.717	1.693	1.063
		G* 3/4" mm	151.5	160	144	75	69	43	32
		NPTF 3/4" (in)	5.965	6.299	5.669	2.953	2.717	1.693	1.260
		G* 1" mm	161	172.5	152	90	69	43	41
NPTF 1" (in)	6.339	6.791	5.984	3.543	2.717	1.693	1.614		

01561CB-2021/R01  
Availability, design and specifications are subject to change without notice. All rights reserved.

**Dimensions mm (inches), Weight kg (Lbs)**



**TYPE 01/02 + Pilot 356, brass body**  
Coil size 20 mm - Thermoplastic moulded  
IEC 335 / DIN 43650  
IP67

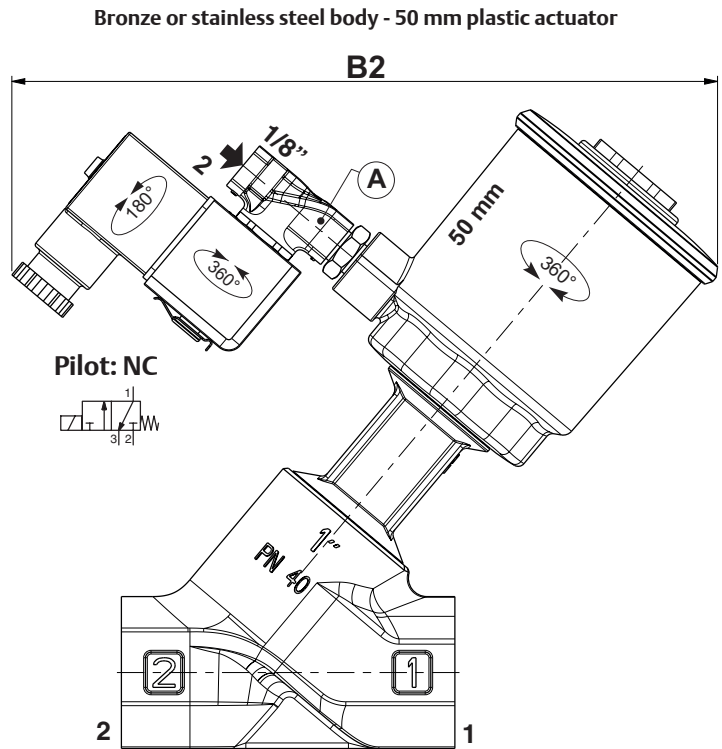
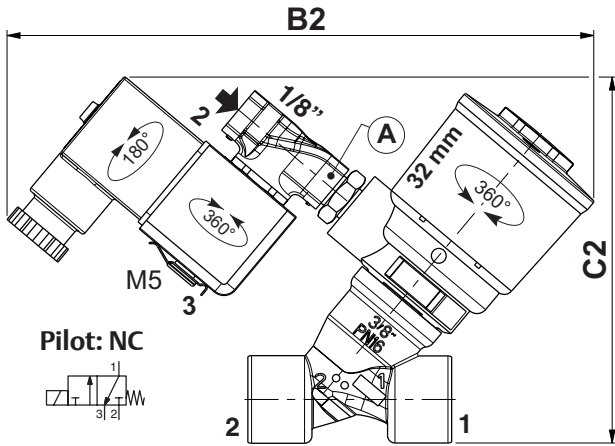
G356C135S19FM

Stainless steel body - 32 mm actuator



**TYPE 01/02 + Pilot 356, stainless steel body**  
Coil size 20 mm - Thermoplastic moulded  
IEC 335 / DIN 43650  
IP67

G356C145S19FM



(A) Pilot solenoid valve despatched separately: See page 2

Type	Actuator diameter	ØA	B2		C2		Weight (with pilot)	
			mm	(in)	mm	(in)	kg	(Lbs)
<b>Stainless steel body, plastic actuator</b>								
01	32 mm	G* 3/8"	mm	158.5	99	0.4	kg	
		NPTF 3/8"	(in)	6.240	3.898	0.9	(Lbs)	
		G* 1/2"	mm	158.5	103	0.5	kg	
		NPTF 1/2"	(in)	6.240	4.055	1.1	(Lbs)	
		G* 3/4"	mm	158.5	111	0.6	kg	
		NPTF 3/4"	(in)	6.240	4.370	1.2	(Lbs)	
<b>Bronze or stainless steel body, plastic actuator</b>								
02	50 mm	G* 1/2"	mm	190.5	-	0.9	kg	
		NPTF 1/2"	(in)	7.500	-	2.0	(Lbs)	
		G* 3/4"	mm	190.5	-	1.0	kg	
		NPTF 3/4"	(in)	7.500	-	2.2	(Lbs)	
		G* 1"	mm	190.5	-	1.3	kg	
		NPTF 1"	(in)	7.500	-	2.9	(Lbs)	

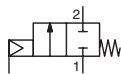
01561GB-2021/R01  
Availability, design and specifications are subject to change without notice. All rights reserved.

# ASCO™ Pneumatic Angle Seat Valves

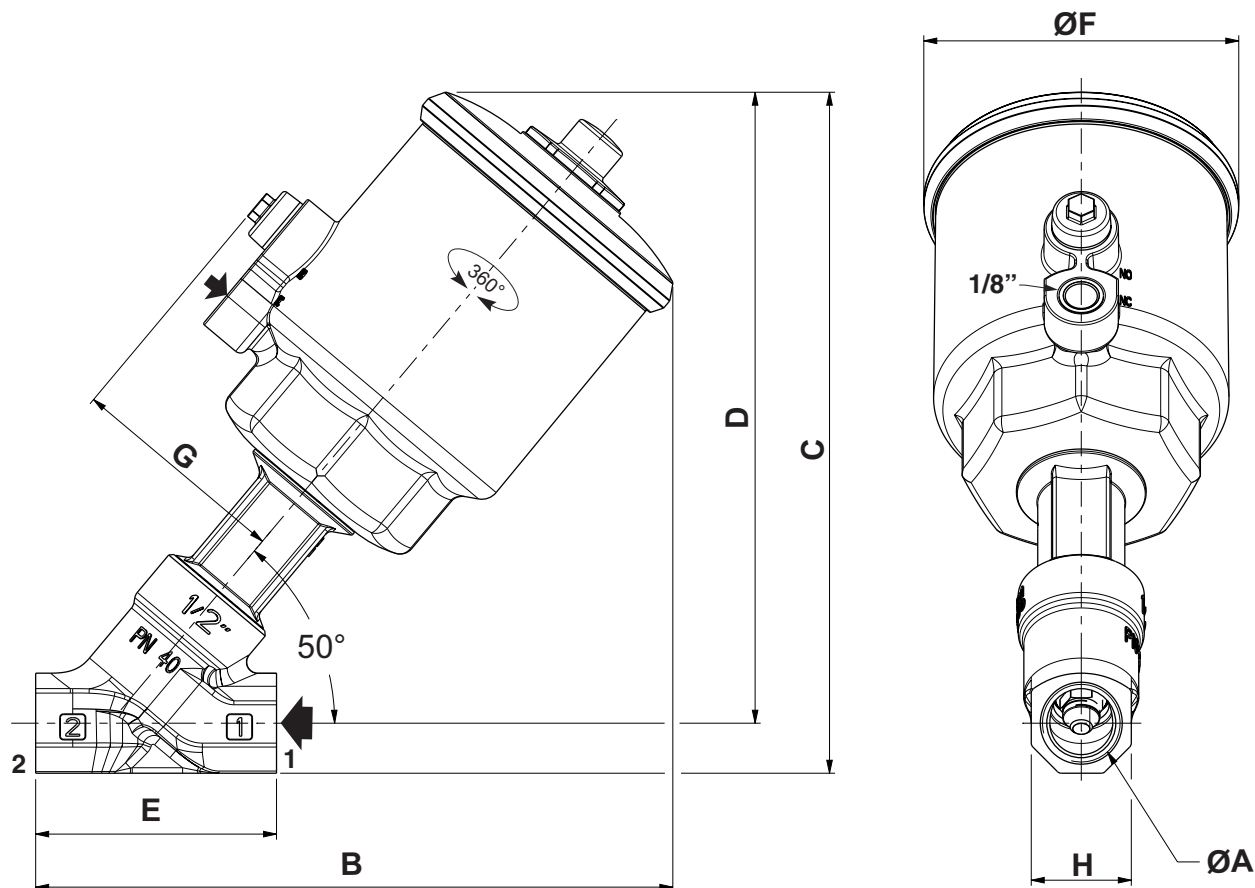
## Dimensions mm (inches)



**TYPE 03**  
63 mm actuator  
NC - Fluid entry:  
under the disc at 2

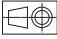


Bronze or stainless steel body - 63 mm plastic actuator



Type	Actuator diameter	ØA	Bronze or stainless steel body Plastic actuator						
			B	C	D	E	ØF	G	H
02	63 mm	G* 1/2" mm	172	184	170.5	65	85	59.5	27
		NPTF 1/2" (in)	6.772	7.244	6.713	2.559	3.346	2.343	1.063
		G* 3/4" mm	176	187	171	75	85	59.5	32
		NPTF 3/4" (in)	6.929	7.362	6.732	2.953	3.346	2.343	1.260
		G* 1" mm	185.5	199.5	179	90	85	59.5	41
		NPTF 1" (in)	7.303	7.854	7.047	3.543	3.346	2.343	1.614
		G* 1 1/4" mm	206	215.5	190.5	110	85	59.5	50
		NPTF 1 1/4" (in)	8.110	8.484	7.500	4.331	3.346	2.343	1.969
		G* 1 1/2" mm	206	222.5	192.5	120	85	59.5	60
		NPTF 1 1/2" (in)	8.110	8.760	7.579	4.724	3.346	2.343	2.362
		G* 2" mm	229	234.5	199.5	150	85	59.5	70
		NPTF 2" (in)	9.016	9.232	7.854	5.906	3.346	2.343	2.756

01561 CB-2021/R01  
Availability, design and specifications are subject to change without notice. All rights reserved.

**Dimensions mm (inches), Weight kg (Lbs)** 



**TYPE 03 + Pilot 356, brass body**  
Coil size 20 mm - Thermoplastic moulded  
IEC 335 / DIN 43650  
IP67

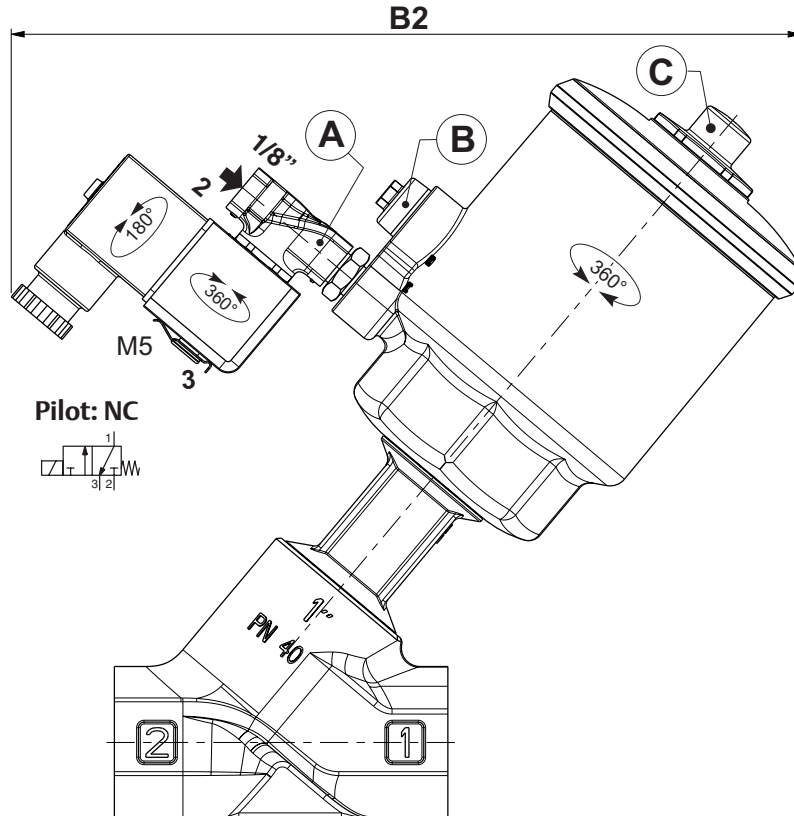
G356C135S19FM



**TYPE 03 + Pilot 356, stainless steel body**  
Coil size 20 mm - Thermoplastic moulded  
IEC 335 / DIN 43650  
IP67

G356C145S19FM

Bronze or stainless steel body - 63 mm plastic actuator



- (A) Pilot solenoid valve despatched separately, see on page 2
- (B) Filter-plug (non-removable)
- (C) Optical position indicator

Type	Actuator diameter	ØA	Bronze or stainless steel body Plastic actuator		Weight (with pilot)	
			B2			
02	63 mm	G* 1/2"	mm	213.2	1.1	kg
		NPTF 1/2"	(in)	8.394	2.4	(Lbs)
		G* 3/4"	mm	213.2	1.2	kg
		NPTF 3/4"	(in)	8.394	2.6	(Lbs)
		G* 1"	mm	213.2	1.6	kg
		NPTF 1"	(in)	8.394	3.5	(Lbs)
		G* 1 1/4"	mm	213.2	2	kg
		NPTF 1 1/4"	(in)	8.394	4.4	(Lbs)
		G* 1 1/2"	mm	213.2	2.6	kg
		NPTF 1 1/2"	(in)	8.394	5.7	(Lbs)
		G* 2"	mm	213.2	3.4	kg
		NPTF 2"	(in)	8.394	7.5	(Lbs)

01561 GB-2021 / R01  
Availability, design and specifications are subject to change without notice. All rights reserved.