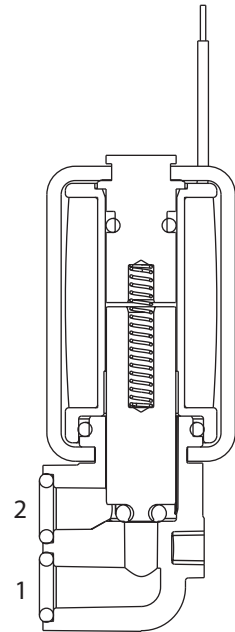
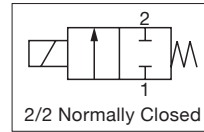


ASCO™ MINIATURE SOLENOID VALVES

GENERAL SERVICE VALVES

- Series 090 solenoid valves are designed for use with air and inert gases
- Flow to size ratio ideal for portable oxygen therapy applications
- Compact light-weight architecture and low power consumption make them ideal for portable medical devices
- Exceptional service lifetime over 50 million cycles that increases OEM instrument reliability
- Meets all relevant CE directives, and is RoHS compliant
- Typical applications include:
 - Oxygen Delivery
 - Compression Therapy
 - Gas Analyzers



2/2 NC
Pad Mount

Fluids*	Temperature Range	Seal Materials*
Air or Inert Gas ¹	0 °C to 60 °C (32 °F to 140 °F)	FKM

¹ filtered at 10µm

* Ensure that the compatibility of the materials in contact with the fluids is verified.

NOTE: Additional constructions and options are available including alternate elastomers and orifice sizes. Minimum quantities apply.

General Valve Information	
Body	PBT
Others	Stainless Steel
Response Time	< 15ms
Vacuum Rating	-0.9 bar (13 psi)

Electrical Characteristics	
Duty Cycle	Intermittent, must use spike and hold noted below
Spike and Hold	Spike at nominal voltage for 500 – 5000 ms max. Hold at 50% of nominal voltage.
Connector	Lead wires
Connector Specification	28 AWG PVC insulated
Standard Voltages*	12 VDC, 24 VDC
Power Rating	4.3 W Inrush, 1.0 W Hold

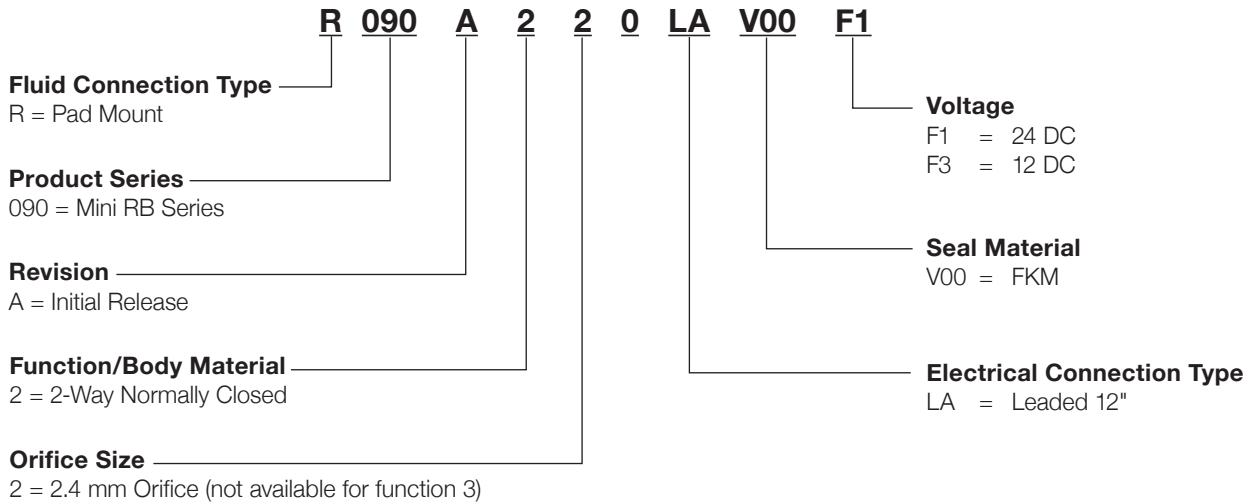
* Other voltages on request

Insulation Class	Coil Insulation	Ambient Temperature Range	Electrical Connection
	°C (°F)	°C (°F)	
F	155 (311)	0 to 60 (32 to 140)	28 AWG PVC insulated

Specifications								
Connection	Orifice Size	Flow Coefficient		Operating Pressure bar (psi)		Power Rating (W)		Catalog Number
		Kv (m ³ /h)	Cv	min.	max.	Inrush	Hold	
2/2 NC - Normally Closed								
Pad Mount, PBT (F)	2.4 (0.093)	0.183	0.072	-0.9 (-13)	1.4 (20)	4.3	1.0	R090x220LAV00Fx

01096GB-2019-R01

How to Order



Options

- Other seal materials available on request
- Other voltages and electrical connections available
- Oxygen service

Installation

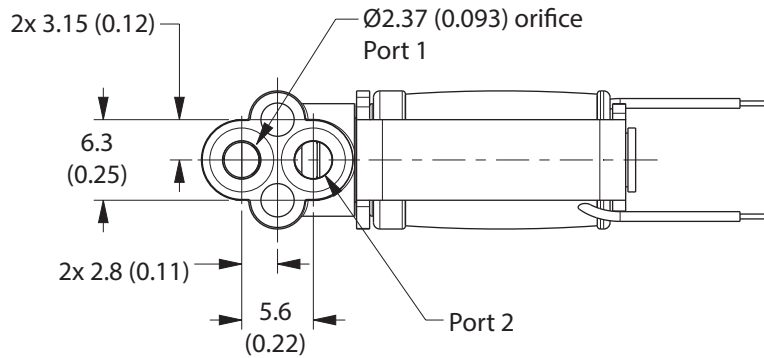
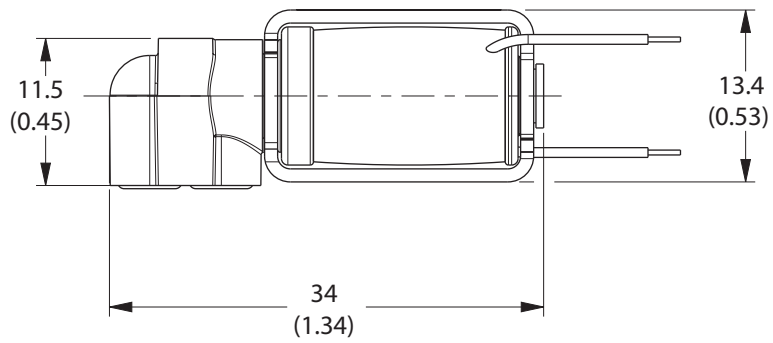
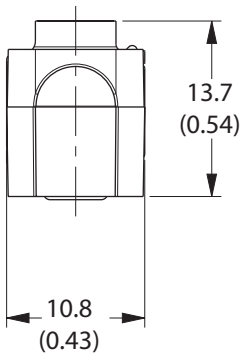
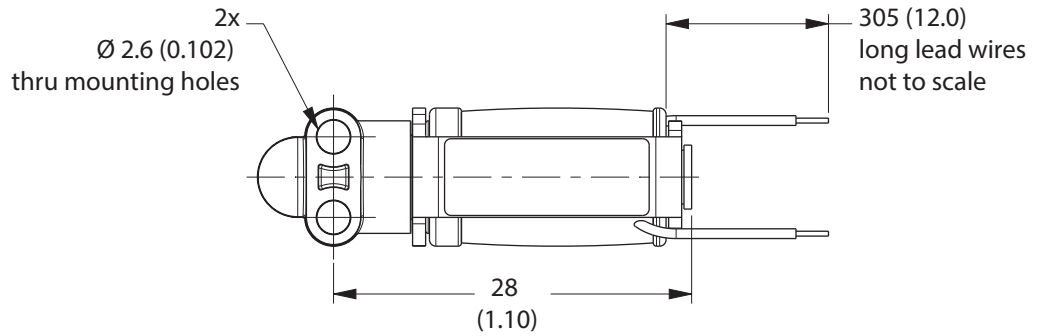
- The solenoid valves can be mounted in any position without affecting operation.

ASCO™ MINIATURE SOLENOID VALVES

GENERAL SERVICE VALVES

Dimensions: mm (inches)

2-Way and Pad Mount Solenoid Valve



01096GB-2019-R01

Dimensions: mm (inches)

Mounting Pattern for Pad Mount Solenoid Valve

