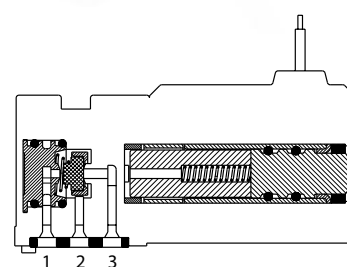
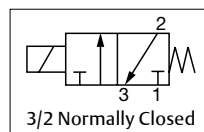


ASCO™ MINIATURE SOLENOID VALVES

GENERAL SERVICE VALVES, MINIATURE SOLENOID

- Series 076 solenoid valves are designed for use with air and inert gases and can also be used to pilot other valves or cylinders.
- Compact architecture and low power consumption of only 0.9 W make them ideal for portable medical devices.
- Option for side-by-side mounting on complex manifold solutions is ideal for control of multiple flow paths in portable or small envelope applications.
- Meets all relevant CE directives, and is RoHS compliant.
- Typical applications include:
 - Respiratory Therapy
 - Patient Simulators
 - Pilot Valves
 - Wide Range of Other General Service Needs



3/2 NC Pad Mount Body

| Fluids | Temperature Range | Seal Materials |
|----------------------------------|-------------------------------------|----------------|
| Air or Inert Gas, non-lubricated | -5 °C to 50 °C (23 °F to 122 °F) | FKM |

NOTE: Additional constructions and options are available including alternate elastomers and orifice sizes. Minimum quantities apply.

| General Valve Information | |
|---------------------------|--|
| Body | PA / PBT |
| Others | Acetal, Brass, Nickel, Stainless Steel |
| Response Time | < 10ms |

| Electrical Characteristics | |
|----------------------------|-----------------------|
| Standard Voltages* | 5 VDC, 12 VDC, 24 VDC |
| Power Consumption | 0.9 W |

* Other voltages on request

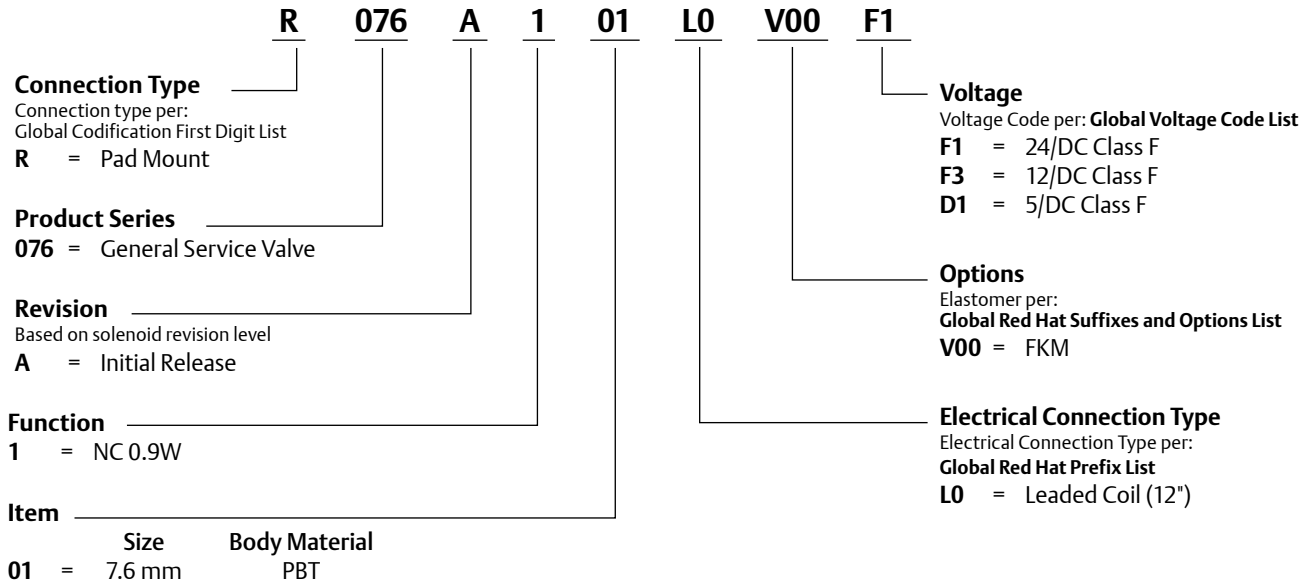
NOTE: The solenoid valves are designed for continuous operation within the maximum ambient temperature limits.

| Insulation Class | Coil Insulation | Protection | Ambient Temperature Range | Electrical Connection |
|------------------|-----------------|------------|---------------------------|--|
| | °C (°F) | | °C (°F) | |
| F | 155 (311) | IP40 | -5 to 50 (23 to 122) | 24 AWG Lead wires, 0.3m (12.0in) long, PTFE coated |

| Specifications | | | | | | | | | | |
|---------------------------------|-------------|-------|-------|------------------------|-----------|------------------------------|--------|--------------|-----------------|----------------|
| Orifice Size | | | | Flow Coefficient | | Operating Pressure bar (psi) | | Power Rating | Voltage | Catalog Number |
| mm (inches) | | | | | | min. | max. | | | |
| 1 | 2 | 2 | 3 | Kv (m ³ /h) | Cv | gases, liquids | | W | | |
| 3/2 NC - Normally Closed | | | | | | | | | | |
| 0.7 (0.028) | 0.8 (0.032) | 0.011 | 0.009 | -0.9 (-13) | 6.9 (100) | 0.9 | 24 VDC | | R076A101L0V00F1 | |
| | | | | | | | 12 VDC | | R076A101L0V00F3 | |
| | | | | | | | 5 VDC | | R076A101L0V00D1 | |

01097CB-2021-R01

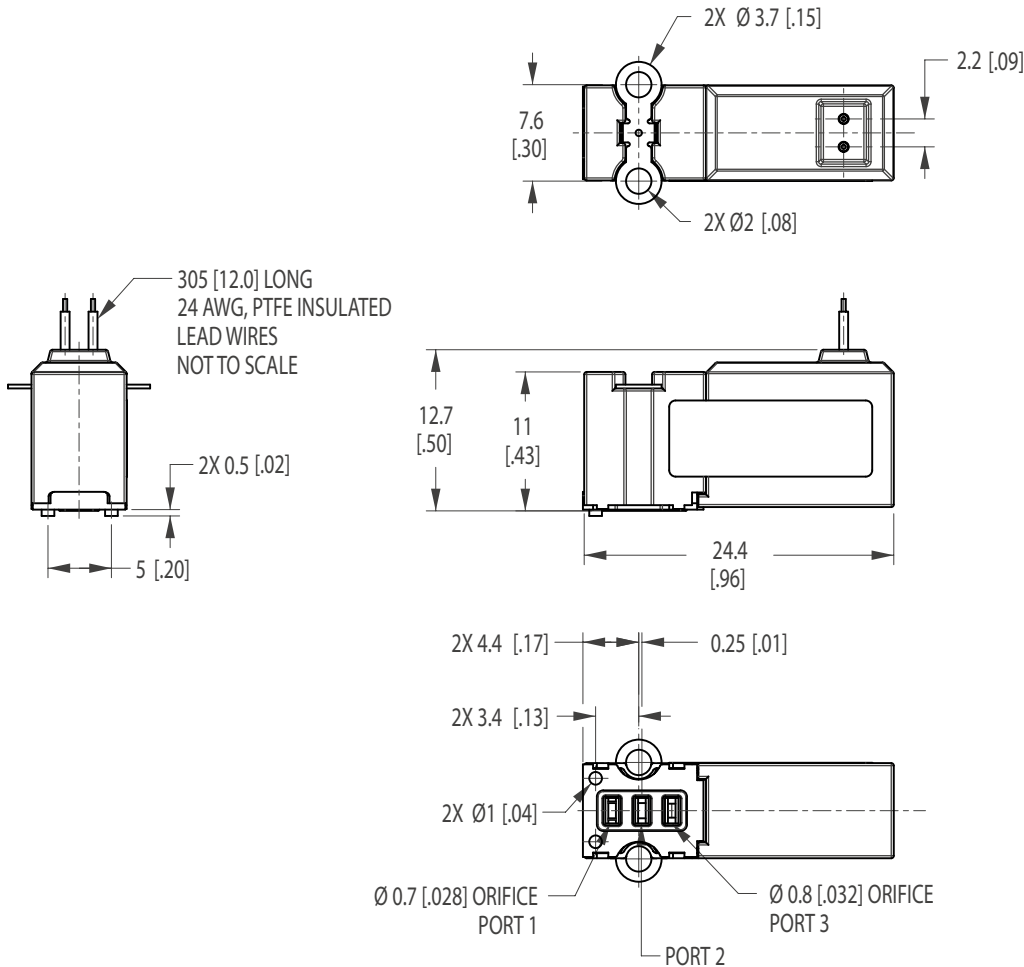
How to Order



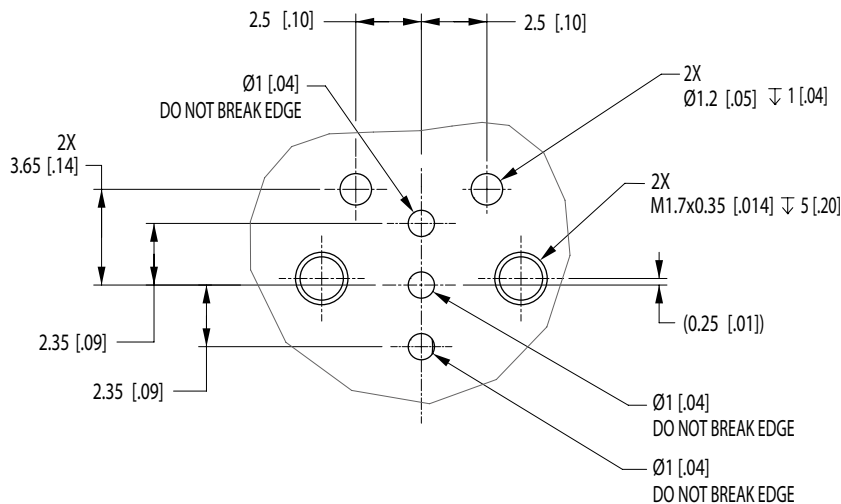
ASCO™ MINIATURE SOLENOID VALVES
GENERAL SERVICE VALVES, MINIATURE SOLENOID

Dimensions: mm (inches)

3-Way Pad Mount Solenoid Valve



Manifold Interface



01097CB-2021-R01

