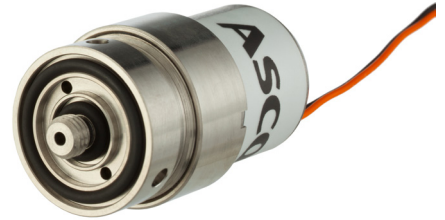
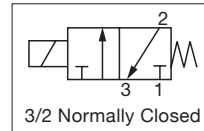
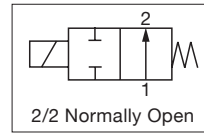
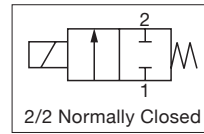


# ASCO™ MINIATURE SOLENOID VALVES

## GENERAL SERVICE VALVES, FLAT SPRING SOLENOID

- The 065 Series 2-Way and 3-Way manifold mount valves are designed for analytical and medical applications where high gas flow is required
- Flat spring technology ensures no contamination of gases (no friction)
- The valves have a service life of more than 1 billion cycles when used with inert gases
- Very short response times allow these valves to be used in applications that require precise media control
- Small form factor saves valuable space in portable devices
- Available in a variety of versions for a wide range of applications: threaded connections or pad-mount for installation on multiple manifolds
- Meets all relevant CE directives, and is RoHS compliant
- Typical applications include:
  - Respiratory Therapy
  - Patient Monitoring
  - Compression Therapy (DVT)
  - Industrial Air Monitoring

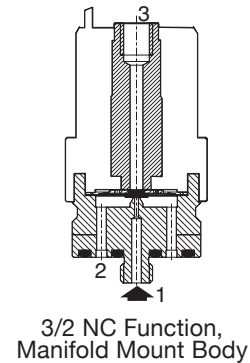
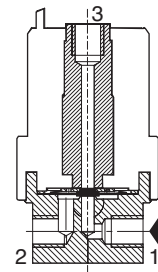
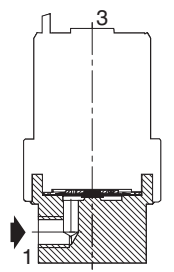
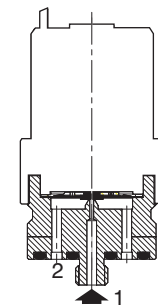
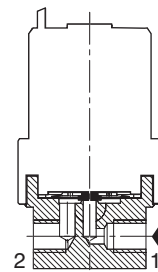


Fluids*	Temperature Range	Seal Materials*
Air, Inert Gases	0 °C to 60 °C (0 °F to 140 °F)	FKM (fluoroelastomer), EPDM, NBR <sup>1</sup>

<sup>1</sup> FFKM seals for corrosive fluids available on request  
 \* Ensure that the compatibility of the materials in contact with the fluids is verified.

General Valve Information	
Body	Stainless steel, AISI 303 (1.4305)
Others	Stainless steel, FKM
Response Time	< 10ms
Vacuum Rating	-1 bar (-14.5 psi)
Maximum Viscosity	20 cSt (mm <sup>2</sup> /s)

Electrical Characteristics	
Coil Insulation Class	F
Electrical Safety	IEC 335
Standard Voltages	6 VDC, 12 VDC, 24 VDC
Power Consumption	2 W at 20 °C



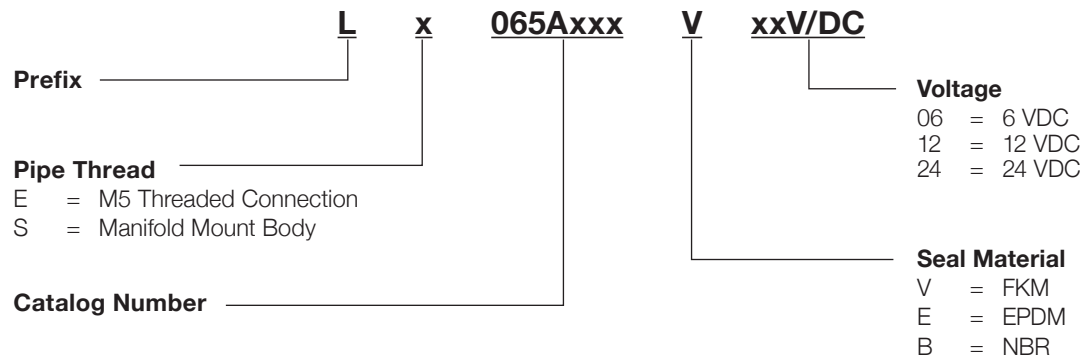
Protection	Power Rating				Ambient Temperature Range	Electrical Connection	Type <sup>1</sup>
	Inrush	Holding		Hot/Cold			
VA	VA	VA	W	W	°C (°F)		
IP40 (EN 60529)	-	-	-	2.1/2.1	0 to 60 (0 to 140)	Lead wires (ETFE), length 0.35m (13.8in)	01

<sup>1</sup> Refer to the dimensional drawings on the following page

Specifications								
Connection	Orifice Size	Flow Coefficient		Operating Pressure bar (psi)		Power Rating	Catalog Number	
		mm (inches)	Kv (m <sup>3</sup> /h)	Cv	min.		max.	W
<b>2/2 NC - Normally Closed</b>								
M5 1	0.6 (0.024)	0.013	0.015	0	7 (101)	2.1	LE065A001V	LS065A001V
	1.0 (0.040)	0.025	0.029	0	5 (72.5)	2.1	LE065A002V	LS065A002V
	1.4 (0.055)	0.032	0.037	0	3 (43.5)	2.1	LE065A003V	LS065A003V
	2.0 (0.080)	0.057	0.066	0	1.5 (21.8)	2.1	LE065A004V	LS065A004V
<b>2/2 NO - Normally Open</b>								
M5	0.6 (0.024)	0.013	0.015	0	7 (101)	2.1	LE065A005V	-
	1.0 (0.040)	0.025	0.029	0	5 (72.5)	2.1	LE065A006V	-
	1.4 (0.055)	0.032	0.037	0	3 (43.5)	2.1	LE065A007V	-
	2.0 (0.080)	0.057	0.066	0	1.5 (21.8)	2.1	LE065A008V	-
<b>3/2 NC - Normally Closed</b>								
M5 1	0.6 (0.024)	0.013	0.015	0	7 (101)	2.1	LE065A009V	LS065A009V
	1.0 (0.040)	0.025	0.029	0	5 (72.5)	2.1	LE065A010V	LS065A010V
	1.4 (0.055)	0.032	0.037	0	3 (43.5)	2.1	LE065A011V	LS065A011V
	2.0 (0.080)	0.057	0.066	0	1.5 (21.8)	2.1	LE065A012V	LS065A012V

1 External thread with pad-mount body

## How to Order



## Options

- Cleaned for oxygen service
- Other pipe connections are available
- 0.7 W rated coil available on request

## Installation

- The solenoid valves can be mounted in any position without affecting operation
- Threaded solenoid valves have 2 mounting holes in body

# ASCO™ MINIATURE SOLENOID VALVES

GENERAL SERVICE VALVES, FLAT SPRING SOLENOID

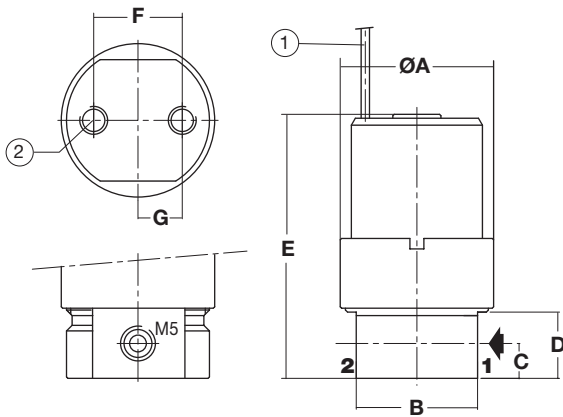
Dimensions: mm (inches)

## 2-Way Flat Spring Solenoid

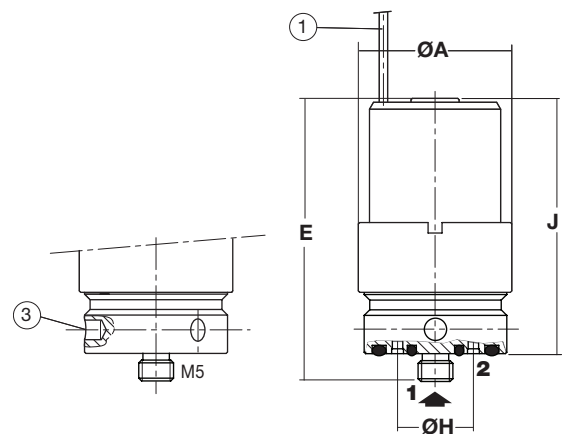
**Type 01** Prefix "L" solenoid  
Leaded Coil  
IP40



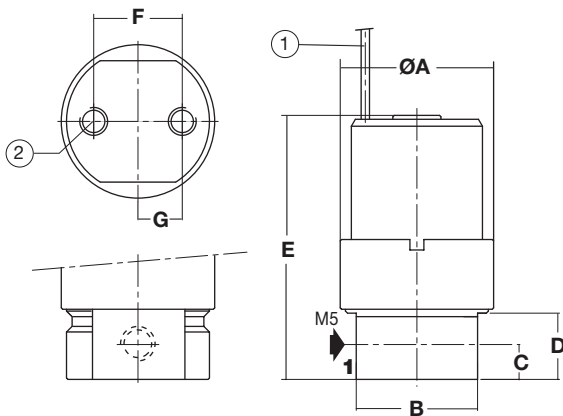
**LE065A001V/002V/003V/004V**



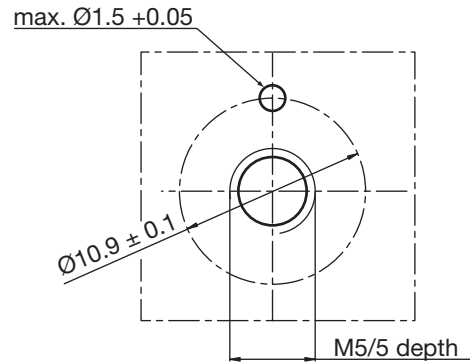
**LS065A001V/002V/003V/004V**



**LE065A005V/006V/007V/008V**



**Mounting pad**



- ① 2 electrical supply wires, length: 0.35m (13.8in)
- ② 2 mounting holes ØM4, depth: 6mm (0.24in)
- ③ Mounting with hook spanner wrench DIN 1810B

Type	Prefix Option	Catalog Number	A	B	C	D	E	F	G	H	J
01	L	LE065A001V/002V/003V/004V	22 (0.87)	17.4 (0.69)	5 (0.20)	9.5 (0.37)	38 (1.50)	12.7 (0.50)	6.35 (0.25)	-	-
		LS065A001V/002V/003V/004V	22 (0.87)	-	-	-	41 (1.61)	-	-	10.9 (0.43)	37 (1.46)
		LE065A005V/006V/007V/008V	22 (0.87)	17.4 (0.69)	5 (0.20)	9.5 (0.37)	38 (1.50)	12.7 (0.50)	6.35 (0.25)	-	-

1 Including leads, length: 0.35m (13.8in)

01089GB-2019-R01

Dimensions: mm (inches)

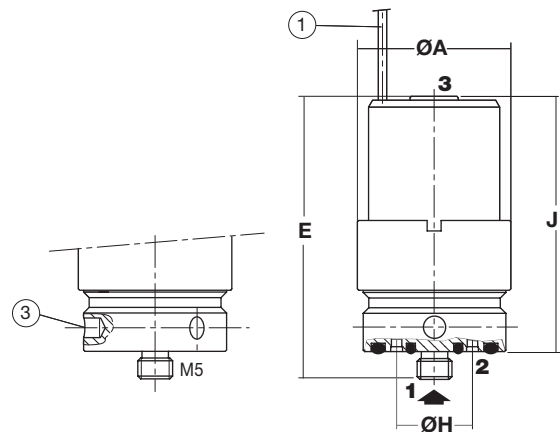
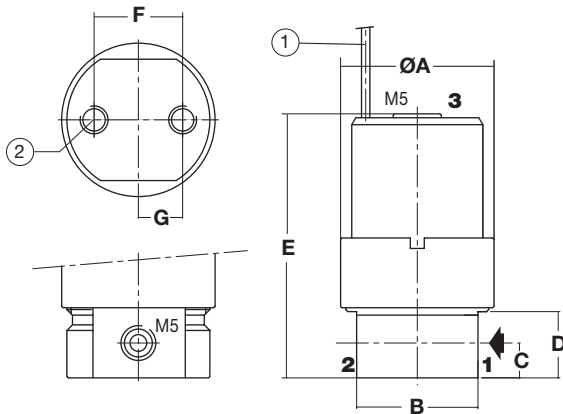
**3-Way Flat Spring Solenoid**

**Type 01** Prefix "L" solenoid  
Leaded Coil  
IP40

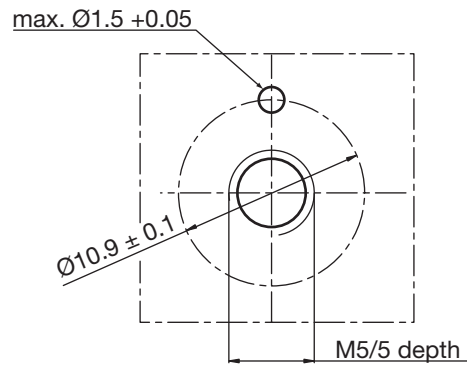


**LE065A009V/010V/011V/012V**

**LS065A009V/010V/011V/012V**



**Mounting pad**



- ① 2 electrical supply wires, length: 0.35m (13.8in)
- ② 2 mounting holes ØM4, depth: 6mm (0.24in)
- ③ Mounting with hook spanner wrench DIN 1810B

Type	Prefix Option	Catalog Number	A	B	C	D	E	F	G	H	J
01	L	LE065A009V/010V/011V/012V	22 (0.87)	17.4 (0.69)	5 (0.20)	9.5 (0.37)	38 (1.50)	12.7 (0.50)	6.35 (0.25)	-	-
		LS065A009V/010V/011V/012V	22 (0.87)	-	-	-	41 (1.61)	-	-	10.9 (0.43)	37 (1.46)

1 Including leads, length: 0.35m (13.8in)

01089GB-2019-R01