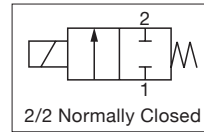


# ASCO™ MINIATURE SOLENOID VALVES

## DIAPHRAGM COMPACT 2-WAY SOLENOID ISOLATION VALVE

- Direct acting solenoid valve for use with neutral or aggressive liquids in analytical instruments
- Media separating soft-seal PTFE diaphragm, prevents any potential leakage of critical reagents within the instrument compartment
- Low power consumption results in less heat transfer to thermally sensitive reagents and samples
- Small form-factor saves space in OEM instruments and is well-suited for portable and hand-held field devices
- Typical application include:
  - Clinical Diagnostics
  - DNA Sequencing
  - Liquid Chromatography
  - Sample Preparation



Fluids*	Temperature Range	Seal Materials*
Liquids or Gases	0°C to 40°C (32°F to 104°F)	FKM, FFKM

\* Ensure that the compatibility of the materials in contact with the fluids is verified.

General Valve Information	
Body	PPS, PEEK
Diaphragm	PTFE
Response Time	< 10ms
Internal Volume	29µl
Max Viscosity	20 cSt (mm <sup>2</sup> /s)

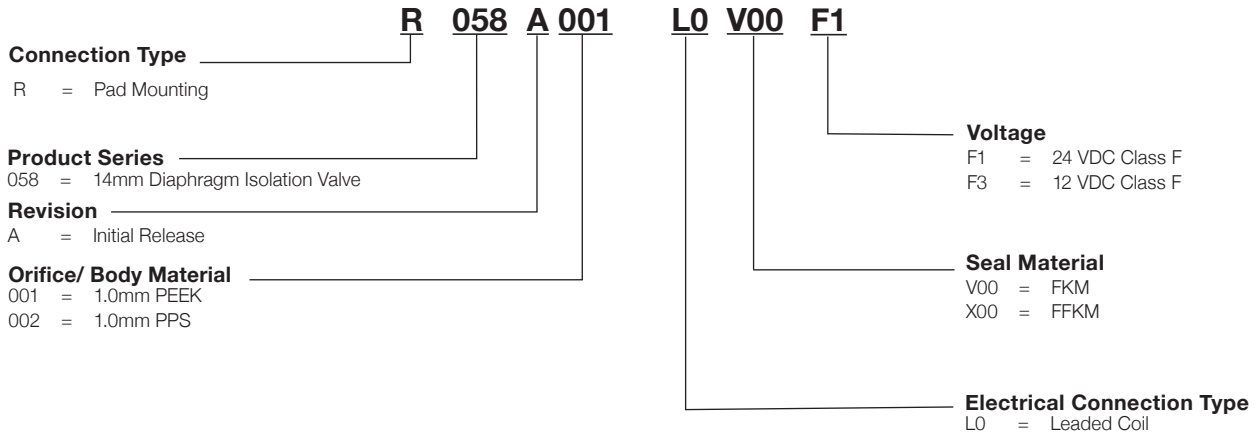
Electrical Characteristics	
Coil Insulation Class	F
Connector	Lead Wires
Connector Specification	28 AWG PTFE coated
Electrical Safety	IEC 335
Electrical Enclosure Protection	IP65 (EN 60529)
Standard Voltages*	12 VDC, 24 VDC (±5%)

Electrical Connection	Power Ratings				Ambient Temperature Range
	Inrush	Holding		Hot/Cold	
	VA	VA	W	W	C° (F°)
L0	-	-	-	2.8	0 to 40 (32 to 104)

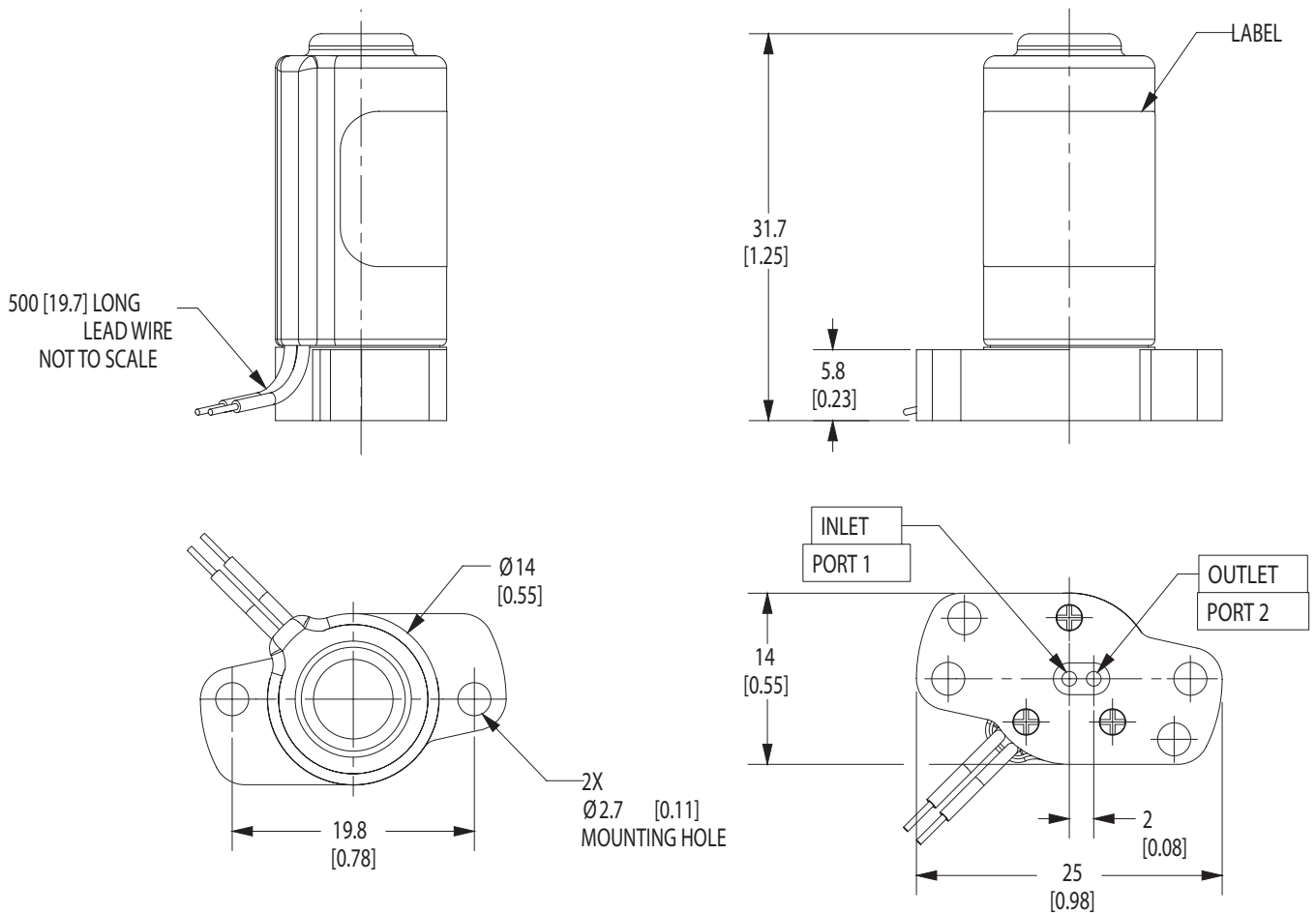
Specifications							
Connection	Orifice Size	Flow Coefficient		Operating Pressure bar (psi)			
				min.	max.	Power Rating (W)	Catalog Number
mm (inches)	Kv (m <sup>3</sup> /h)	Cv	gas / liquids				
<b>2/2 NC - Normally Closed</b>							
Pad Mounting	1.00 (0.04)	0.018	0.021	-0.2 bar (-2.9 psi)	2.0 bar (29 psi)	2.8	R058A001L0XXXXX
Pad Mounting	1.00 (0.04)	0.018	0.021	-0.2 bar (-2.9 psi)	2.0 bar (29 psi)	2.8	R058A002L0XXXXX

01083GB-2019-R01

**How to Order**



**Dimensions: mm (inches)**



01083GB-2019-R01