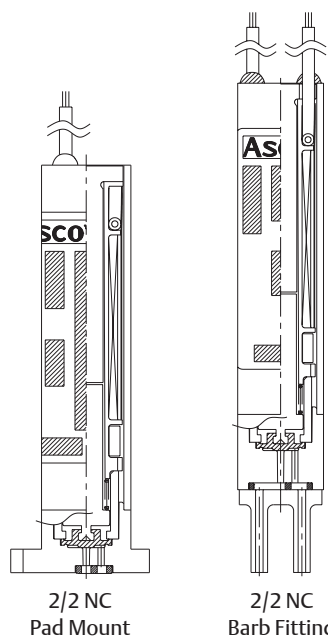
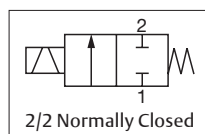
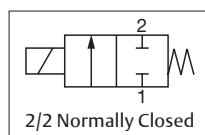


# ASCO™ MINIATURE SOLENOID VALVES

## DIAPHRAGM SOLENOID FLUID ISOLATION VALVES

- Direct acting solenoid valve for use with neutral or aggressive liquids in analytical instruments
- Small profile and low internal volume well suited for dispensing applications and precise flow control
- Low power consumption results in less heat transfer to thermally sensitive reagents and samples
- Low dead volume improves ability to clean between each cycle
- Typical application include:
  - Clinical Diagnostics
  - DNA Sequencing
  - Immunoassay
  - Sample Preparation



| General Valve Information |                             |
|---------------------------|-----------------------------|
| Body                      | PPS, PEEK                   |
| Seals                     | FKM, FFKM                   |
| Response Time             | < 10 ms                     |
| Internal Volume           | 1.2 µl                      |
| Dead Volume               | 0.75 µl                     |
| Max Viscosity             | 20 cSt (mm <sup>2</sup> /s) |

| Electrical Characteristics |  |
|----------------------------|--|
| Coil Insulation Class      | B (130°C [266°F])                      |
| Connector                  | Lead Wires (see Electrical Connection) |
| Connector Specification    | 32 AWG PVC coated                      |
| Standard Voltages*         | 5 VDC, 12 VDC (±5%)                    |

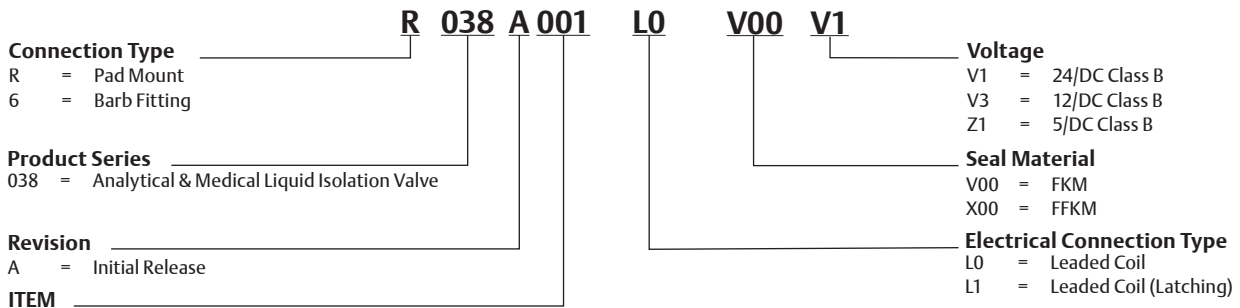
\*Other voltages on request

| Electrical Connection     | Power Ratings |         |   |          | Ambient Temperature Range<br>C° (F°) | Coil Duty              | Lead Color  |
|---------------------------|---------------|---------|---|----------|--------------------------------------|------------------------|---|
|                           | Inrush        | Holding |   | Hot/Cold |                                      |                        |   |
|                           | VA            | VA      | W | W        |                                      |                        |   |
| Standard Leaded Coil (L0) | -             | -       | - | 1.2      | 10 to 50 (50 to 122)                 | Intermittent, ED = 40% | Black   |
| Latching Leaded Coil (L1) | -             | -       | - | 1.2      |                                      | Intermittent, ED = 20% | Polarity:<br><b>Red:</b> Positive(+);<br><b>Black:</b> Negative (-) |

01100CB-2021-RO

| Specifications                            |              |                        |        |                                    |                       |                   |                 |
|---|--------------|------------------------|--------|------------------------------------|-----------------------|-------------------|-----------------|
| Connection                                | Orifice Size | Flow Coefficient       |        | Pressure Differential<br>bar (psi) |                       |                   |                 |
|   |              |                        |        | min.                               | max.<br>gas / liquids | Power Coil<br>(W) | Catalog Number  |
|   | mm (inches)  | Kv (m <sup>3</sup> /h) | Cv     |                                    |                       |                   |                 |
| <b>2/2 NC - Standard Leaded Coil (L0)</b> |              |                        |        |                                    |                       |                   |                 |
| Pad Mount                                 | 0.4 (0.016)  | 0.0017                 | 0.0020 | 0 bar (0.0 psi)                    | 1.0 bar (14.5 psi)    | 1.2               | R038A00XL0XXXXX |
| Hose Barb                                 | 0.4 (0.016)  | 0.0017                 | 0.0020 | 0 bar (0.0 psi)                    | 1.0 bar (14.5 psi)    | 1.2               | 6038A01XL0XXXXX |
| <b>2/2 NC - Latching Leaded Coil (L1)</b> |              |                        |        |                                    |                       |                   |                 |
| Pad Mount                                 | 0.4 (0.016)  | 0.0017                 | 0.0020 | 0 bar (0.0 psi)                    | 1.0 bar (14.5 psi)    | 1.2               | R03800XL1XXXXX  |
| Hose Barb                                 | 0.4 (0.016)  | 0.0017                 | 0.0020 | 0 bar (0.0 psi)                    | 1.0 bar (14.5 psi)    | 1.2               | 603801XL1XXXXX  |

## How to Order



|       | Orifice     | Body Material | Gasket Seal |
|-------|-------------|---------------|-------------|
| 001   | 0.4 (0.016) | PPS           | A           |
| 002   | 0.4 (0.016) | PEEK          | A           |
| 011 * | 0.4 (0.016) | PPS           | None        |
| 012 * | 0.4 (0.016) | PEEK          | None        |

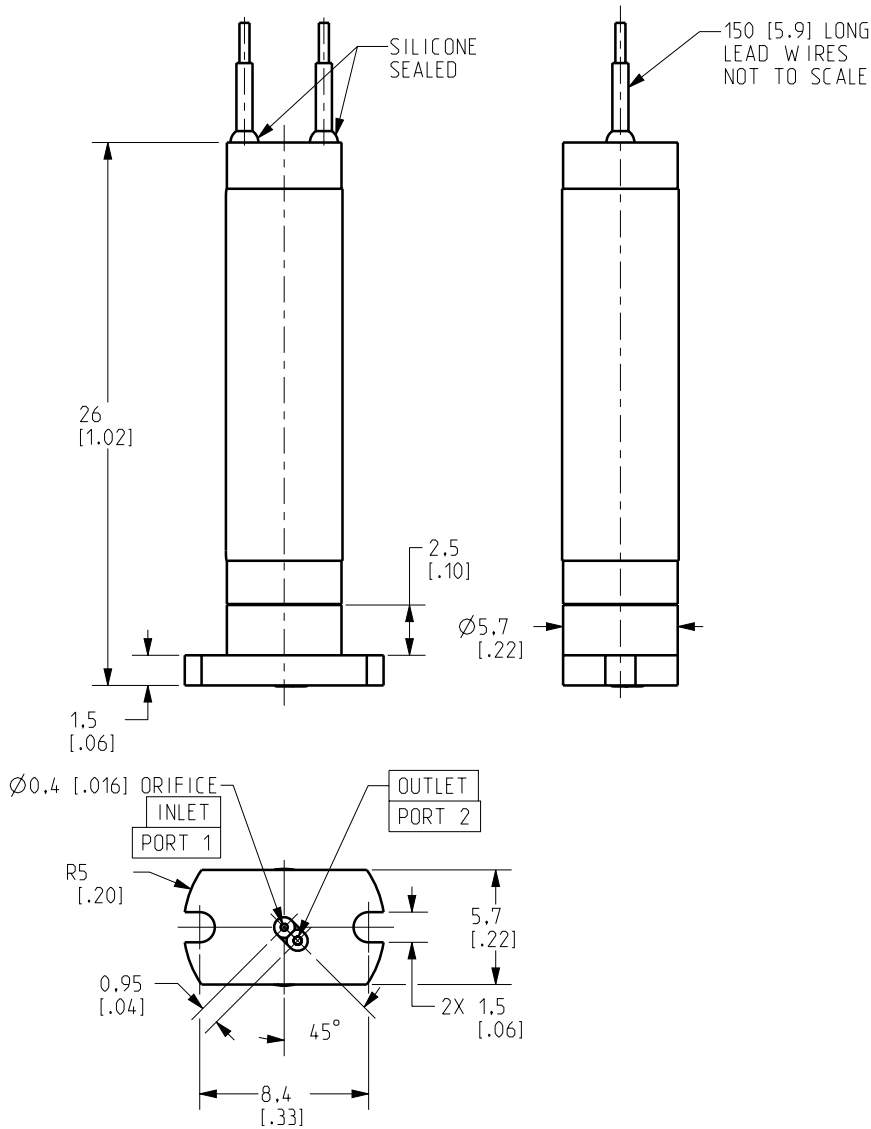
\* For Connection Type "6"

# ASCO™ MINIATURE SOLENOID VALVES

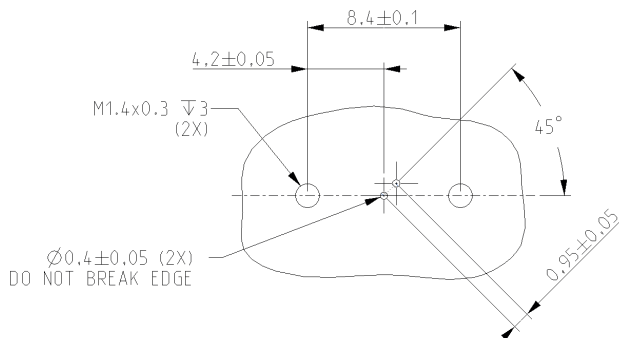
## DIAPHRAGM SOLENOID FLUID ISOLATION VALVES

Dimensions: mm (inches)

### Connection Type R Pad Mount



### Mounting Pattern for Pad Mount Solenoid Valve



01100GB-2021-RO

Dimensions: mm (inches)

**Connection Type 6  
Hose Barb**

