

Multi-coupling



AVENTICS™ Multi-coupling



青岛秉诚自动化设备有限公司
地址：中国·青岛市重庆南路99号海尔云街甲3号楼7F

服务热线：4006-918-365
网址：<http://www.asco.store>

传真：(86-532)585-10-365
Email：sales@bechinas.com

Multi-coupling

- Suitable for bulkhead mounting



Working pressure min./max.	0 ... 16 bar
Ambient temperature min./max.	-20 ... 80 °C
Medium temperature min./max.	-20 ... 80 °C
Medium	Compressed air

Technical data

Part No.	Number of ports	Tubing Ø	Housing	Delivery unit	Fig.
R412007569	4	4 mm	Polyamide	1 piece	Fig. A
R412007573	4	6 mm	Polyamide	1 piece	Fig. A
R412007570	4	4 mm	Polyamide	1 piece	Fig. B
R412007574	4	6 mm	Polyamide	1 piece	Fig. B
R412007571	7	4 mm	Polyamide	1 piece	Fig. A
R412007575	7	6 mm	Polyamide	1 piece	Fig. A
R412007572	7	4 mm	Polyamide	1 piece	Fig. B
R412007576	7	6 mm	Polyamide	1 piece	Fig. B
R412007577	4 7	-	Polyamide	1 piece	Fig. C

Technical information

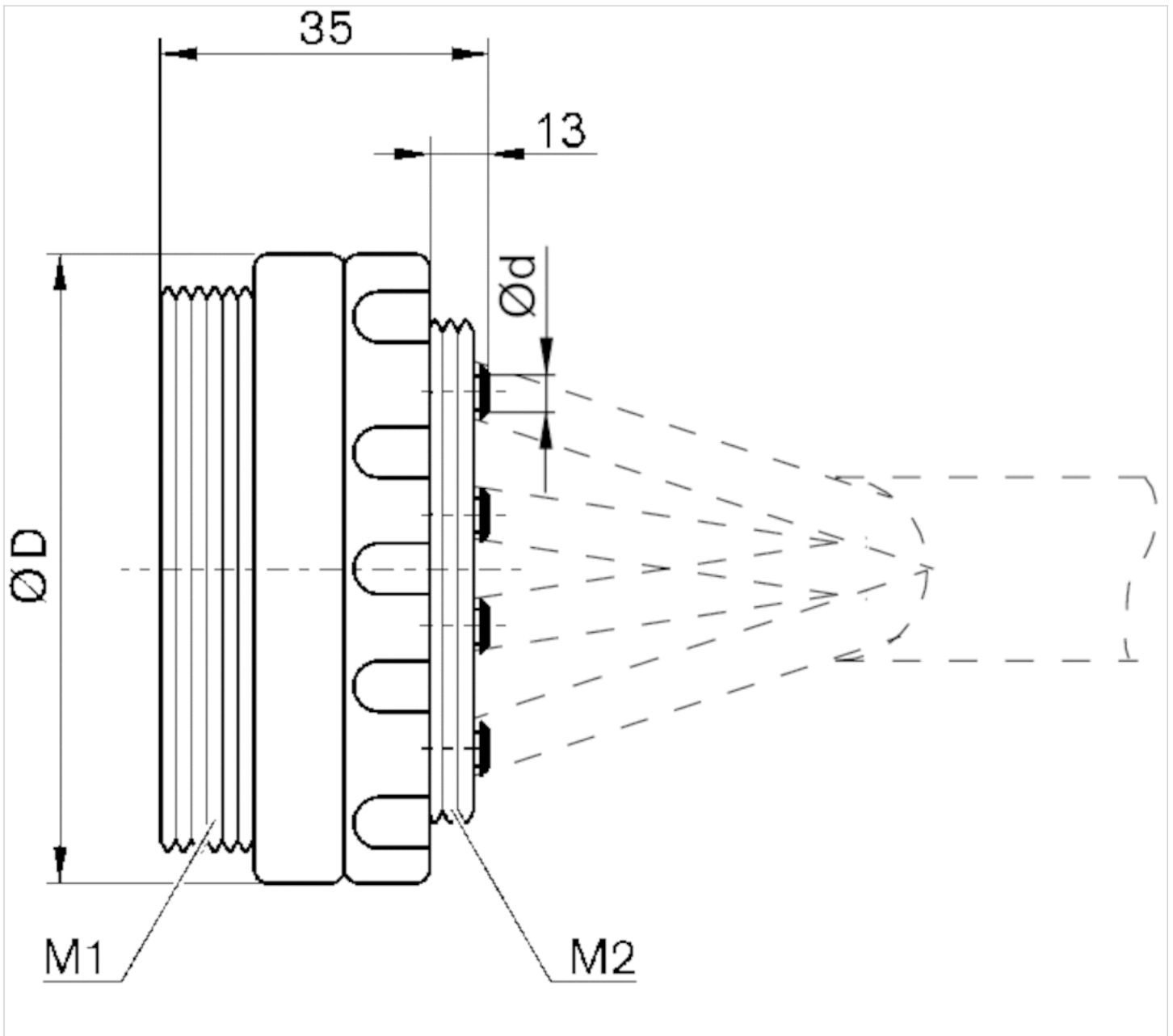
Connect and release 4 to 7 compressed air hoses
Clear hose assembly with guide pins.

Technical information

Material	
Housing	Polyamide

Dimensions

Coupling plug, Fig. A



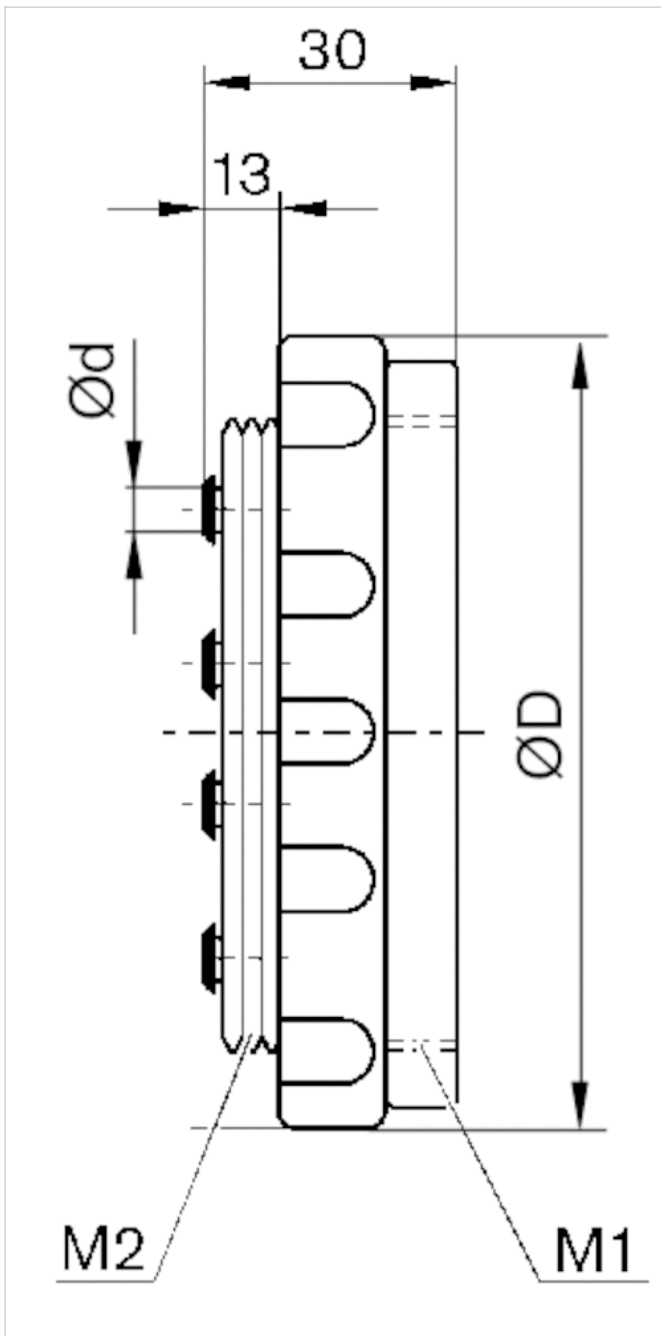
Dimensions

Part No.	M1	M2	Ød 1)	ØD
R412007569	M46x1,5	M40x1,5	4	50
R412007573	M46x1,5	M40x1,5	6	50
R412007571	M46x1,5	M40x1,5	4	50
R412007575	M46x1,5	M40x1,5	6	50

1) Tubing-Ø (external)

Dimensions

coupling bushing, Fig. B



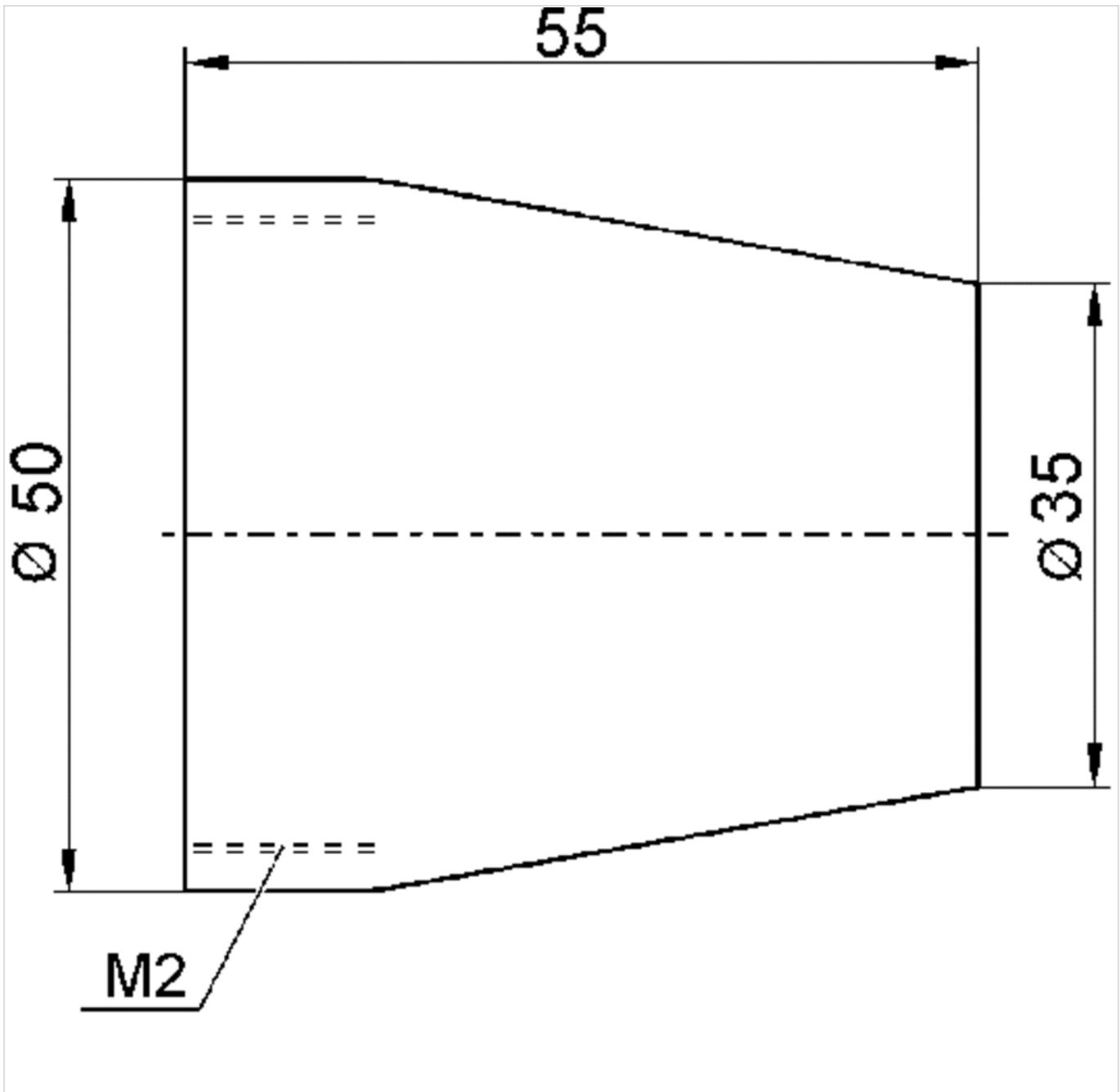
Dimensions

Part No.	M1	M2	Ød 1)	ØD
R412007570	M46x1,5	M40x1,5	4	55
R412007574	M46x1,5	M40x1,5	6	55
R412007572	M46x1,5	M40x1,5	4	55
R412007576	M46x1,5	M40x1,5	6	55

1) Tubing-Ø (external)

Dimensions

Protective cap, Fig. C



The protective cap can be assembled on both sides of the coupling.

Dimensions

Part No.	M2
R412007577	M40x1,5

Efficient pneumatic solutions, our program: cylinders and drives, valves and valve systems, air supply management



Visit us: Emerson.com/Aventics

Your local contact: Emerson.com/contactus



Emerson.com



Facebook.com/EmersonAutomationSolutions



LinkedIn.com/company/Emerson-Automation-Solutions



Twitter.com/EMR_Automation

An example configuration is depicted on the title page. The delivered product may thus vary from that in the illustration. Subject to change. This Document, as well as the data, specifications and other information set forth in it, are the exclusive property of AVENTICS GmbH. It may not be reproduced or given to third parties without its consent. Only use the AVENTICS products shown in industrial applications. Read the product documentation completely and carefully before using the product. Observe the applicable regulations and laws of the respective country. When integrating the product into applications, note the system manufacturer's specifications for safe use of the product. The data specified only serve to describe the product. No statements concerning a certain condition or suitability for a certain application can be derived from our information. The information given does not release the user from the obligation of own judgment and verification. It must be remembered that the products are subject to a natural process of wear and aging.

The Emerson logo is a trademark and service mark of Emerson Electric Co. Brand logotype are registered trademarks of one of the Emerson family of companies. All other marks are the property of their respective owners. © 2017 Emerson Electric Co. All rights reserved.
2019-03



CONSIDER IT SOLVED™



青岛秉诚自动化设备有限公司
地址：中国·青岛市重庆南路99号海尔云街甲3号楼7F

服务热线：4006-918-365
网址：<http://www.asco.store>

传真：(86-532)585-10-365
Email：sales@bechinas.com