

Features

- Designed for harsh, hazardous environments, including offshore applications
- Provides quick shutdown of valves and actuators
- Low power consumption suitable for solar panels and PLC/DCS* applications
- CSA, ATEX, IECEx approved with factory-sealed leads
- Approvals on all constructions
 - UL, CSA, ATEX, IECEx
- Mountable in any position
- Increased pressure ratings on low power constructions
- Maximum corrosion resistance with 316L constructions

Construction

Valve Parts in Contact with Fluids	
Body	316L Stainless Steel
Seals and Disc	FKM
Core and Plugnut	430F Stainless Steel
Core Spring	17-7 Stainless Steel
Rider Rings	PTFE
Disc-Holder and Core Guide	CA

Electrical

Standard Coil and Class of Insulation	Watt Rating and Power Consumption
	DC Watts
F	0.55
F	1.3

Standard Voltages: 12 and 24 volts DC.

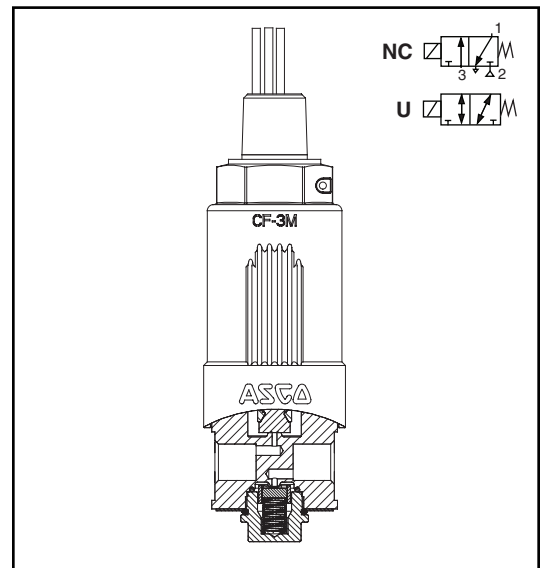
***IMPORTANT:** Supervisory and leakage current above the drop out current listed will cause improper operation. Consult your local ASCO sales office for additional assistance.

Solenoid No.	Wattage (DC)	Voltage (DC)	Min. Pull In (mA)	Drop Out (mA)*	Coil Resistance @ 68°F (20°C) (ohms)
HV298934001	1.3W	12V DC	81.4	11.3	111
		24V DC	41.0	6.6	443
HV298934002	0.55W	12V DC	35.8	3.4	262
		24V DC	17.9	1.7	1047

Solenoid Enclosures

Standard: Prefix "EF", 316L Stainless Steel, Explosionproof and Watertight with 72" leads. Types 1, 2, 3, 4, 4X, 6, 6P, and 7.

See Engineering Section under "Enclosures" for details.



SPECIAL SERVICE
PILOT

Nominal Ambient Temp. Ranges

-4°F to 122°F (-20°C to 50°C)

Refer to Engineering Section for details.

Approvals

Solenoid Only:

UL & CSA approved for Class I, Div. 1, Groups C & D
ATEX / IECEx approved for II 2 G Ex d IIB T6 Gb
SIL 3 Capable per IEC61508.

Third party certification provided by EXIDA.

Meets applicable CE directives.

Refer to Engineering Section for details.

Specifications (English units)

Pipe Size (in)	Orifice Size (in)		Cv Flow Factor		Operating Pressure Differential (psi)				Wattage Rating/ Coil Insulation Class 12 or 24 VDC
					Air/Natural Gas		Catalog Number	Const. Ref.	
	Pressure	Exhaust	Pressure	Exhaust	Min.	Max.			
NORMALLY CLOSED (Closed when de-energized)									
1/4	1/16	3/32	0.08	0.16	0	150 ③	EF8320A511	1	1.3/F
1/4	3/64	5/64	0.05	0.11	0	125 ④	EF8320A512	1	0.55/F
1/4	1/16	1/4	0.08	1.4	20	150	EF8317A511 ②	2	1.3/F
1/4	5/16	5/16	1.10	1.40	20	150	EF8321A511 ①	3	1.3/F
1/4	5/16	5/16	1.10	1.40	20	125	EF8321A512 ①	3	0.55/F
UNIVERSAL FLOW (Pressure at any port)									
1/4	1/16	3/32	0.08	.16	0	65	EF8320A515	1	1.3/F

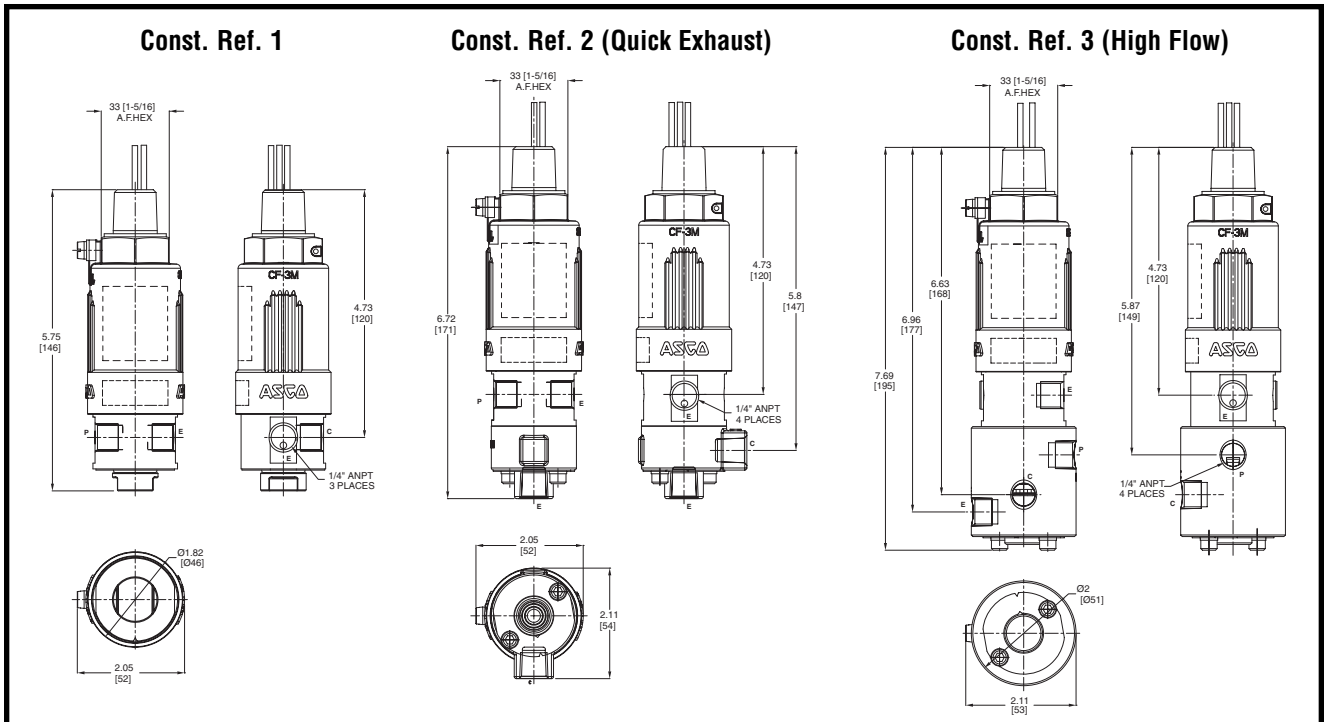
① Main disc is NBR ② This valve has a Hytrel diaphragm. ③ Light Oil @ 300 SSU Max. Pressure 125 psi (8.6 bar). ④ Light Oil @ 300 SSU Max. Pressure 90 psi (6 bar).

Specifications (Metric units)

Pipe Size (in)	Orifice Size (mm)		Kv Flow Factor (m³/h)		Operating Pressure Differential (bar)				Wattage Rating/ Coil Insulation Class 12 or 24 VDC
					Air/Natural Gas		Catalog Number	Const. Ref.	
	Pressure	Exhaust	Pressure	Exhaust	Min.	Max.			
NORMALLY CLOSED (Closed when de-energized)									
1/4	1.6	2.4	0.07	0.14	0	10	EF8320A511 ③	1	1.3/F
1/4	1.2	1.8	0.04	0.09	0	8.6	EF8320A512 ④	1	0.55/F
1/4	1.6	6.4	0.07	1.2	1.4	10	EF8317A511 ②	2	1.3/F
1/4	7.9	7.9	0.95	1.20	1.4	10	EF8321A511 ①	3	1.3/F
1/4	7.9	7.9	0.95	1.20	1.4	8.6	EF8321A512 ①	3	0.55/F
UNIVERSAL FLOW (Pressure at any port)									
1/4	1.6	2.4	0.07	0.14	0	4.5	EF8320A515	1	1.3/F

① Main disc is NBR ② This valve has a Hytrel diaphragm. ③ Light Oil @ 300 SSU Max. Pressure 125 psi (8.6 bar). ④ Light Oil @ 300 SSU Max. Pressure 90 psi (6 bar).

Dimensions: inches (mm)



SPECIAL SERVICE PILOT