



青岛秉诚自动化设备有限公司  
地址：中国·青岛市重庆南路99号海尔云街甲3号楼7F

服务热线：4006-918-365  
网址：<http://www.asco.store>

传真：(86-532)585-10-365  
Email：[sales@bechinas.com](mailto:sales@bechinas.com)

## Double snap-on couplings with push button, series CP2



AVENTICS™ Double snap-on couplings with push button





# Safety coupling, Series CP2

- External thread
- NW 7.4 mm



Working pressure min./max.	0 ... 16 bar
Ambient temperature min./max.	-20 ... 100 °C
Medium temperature min./max.	-20 ... 100 °C
Medium	Compressed air Neutral gases
Weight per piece	See table below



## Technical data

Part No.	Nominal width NW	Port G	Flow	Housing	Delivery unit	Weight
			Qn			
R412026337	7.4 mm	G 1/4	1800 l/min	Aluminum anodized	1 piece	0.123 kg
R412026338	7.4 mm	G 3/8	1800 l/min	Aluminum anodized	1 piece	0.124 kg
R412026339	7.4 mm	G 1/2	1800 l/min	Aluminum anodized	1 piece	0.14 kg

## Technical information

Actuation: Push button

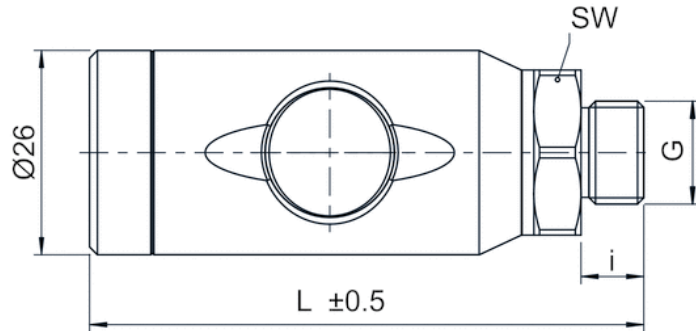
To account for wear we recommend plugs made of steel with EURO profile, nominal width 7.8.

## Technical information

Material	
Housing	Aluminum, anodized
Seal	caoutchouc/butadiene caoutchouc
Port	Steel

## Dimensions

### Dimensions



## Dimensions

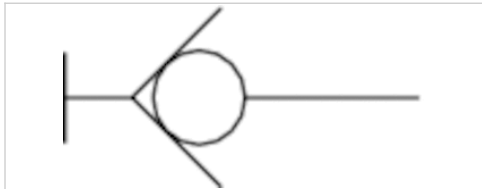
Part No.	Port G	Nominal width NW	L	i	SW
R412026337	G 1/4	7.4 mm	70.5	8	21
R412026338	G 3/8	7.4 mm	70.5	8	21
R412026339	G 1/2	7.4 mm	74.5	10	24

# Safety coupling, Series CP2

- Internal thread
- NW 7.4 mm



Working pressure min./max.	0 ... 16 bar
Ambient temperature min./max.	-20 ... 100 °C
Medium temperature min./max.	-20 ... 100 °C
Medium	Compressed air Neutral gases
Weight per piece	See table below



## Technical data

Part No.	Nominal width NW	Port G	Port D	Flow	Housing	Delivery unit	Weight
				Qn			
R412026340	7.4 mm	G 1/4	NW 7,4	1800 l/min	Aluminum anodized	1 piece	0.128 kg
R412026341	7.4 mm	G 3/8	NW 7,4	1800 l/min	Aluminum anodized	1 piece	0.122 kg
R412026342	7.4 mm	G 1/2	NW 7,4	1800 l/min	Aluminum anodized	1 piece	0.129 kg

## Technical information

Actuation: Push button

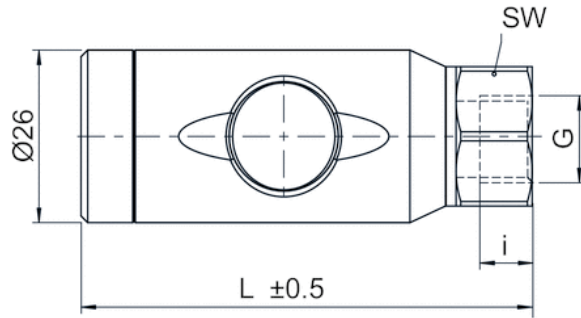
To account for wear we recommend plugs made of steel with EURO profile, nominal width 7.8.

## Technical information

Material	
Housing	Aluminum, anodized
Seal	caoutchouc/butadiene caoutchouc
Port	Steel

## Dimensions

### Dimensions



## Dimensions

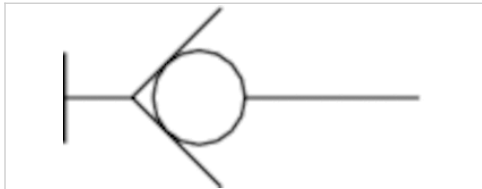
Part No.	Port G	Nominal width NW	L	i	SW
R412026340	G 1/4	7.4 mm	68	8	21
R412026341	G 3/8	7.4 mm	68	8	21
R412026342	G 1/2	7.4 mm	71	10	24

# Safety coupling, Series CP2

- Collar
- NW 7.4 mm



Working pressure min./max.	0 ... 16 bar
Ambient temperature min./max.	-20 ... 100 °C
Medium temperature min./max.	-20 ... 100 °C
Medium	Compressed air Neutral gases
Weight per piece	See table below



## Technical data

Part No.	Nominal width NW	Port G	Port D	Flow	Housing	Delivery unit	Weight
				Qn			
R412026343	7.4 mm	Ø 6	NW 7,4	1800 l/min	Aluminum anodized	1 piece	0.119 kg
R412026344	7.4 mm	Ø 8	NW 7,4	1800 l/min	Aluminum anodized	1 piece	0.123 kg
R412026345	7.4 mm	Ø 9	NW 7,4	1800 l/min	Aluminum anodized	1 piece	0.123 kg
R412026346	7.4 mm	Ø 10	NW 7,4	1800 l/min	Aluminum anodized	1 piece	0.124 kg
R412026347	7.4 mm	Ø 13	NW 7,4	1800 l/min	Aluminum anodized	1 piece	0.129 kg

## Technical information

Actuation: Push button

To account for wear we recommend plugs made of steel with EURO profile, nominal width 7.8.

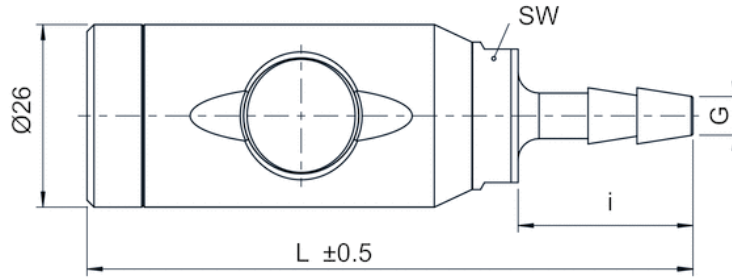
## Technical information

Material	
Housing	Aluminum, anodized
Seal	caoutchouc/butadiene caoutchouc
Port	Steel



## Dimensions

### Dimensions



## Dimensions

Part No.	Port G	Nominal width NW	L	i	SW
R412026343	$\text{Ø} 6$	7.4 mm	86.5	25	19
R412026344	$\text{Ø} 8$	7.4 mm	86.5	25	19
R412026345	$\text{Ø} 9$	7.4 mm	86.5	25	19
R412026346	$\text{Ø} 10$	7.4 mm	86.5	25	19
R412026347	$\text{Ø} 13$	7.4 mm	86.5	25	19

# Coupling plug with external thread

- Coupling plug
- NW 7.8 mm

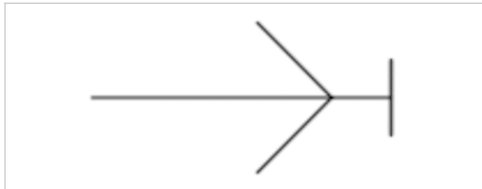


Working pressure min./max.  
 Ambient temperature min./max.  
 Medium temperature min./max.  
 Medium  
 Weight per piece

0 ... 16 bar  
 -10 ... 90 °C  
 -10 ... 90 °C

Compressed air  
 See table below

The delivered product may vary from that in the illustration.



## Technical data

Part No.	Nominal width NW	Port G	Port D	Housing	Delivery unit	Weight
1823351033	7.8 mm	G 1/4	NW 7,8	Steel galvanized	10 piece	0.018 kg
1823351034	7.8 mm	G 3/8	NW 7,8	Steel galvanized	10 piece	0.027 kg
1823351035	7.8 mm	G 1/2	NW 7,8	Steel galvanized	5 piece	0.043 kg

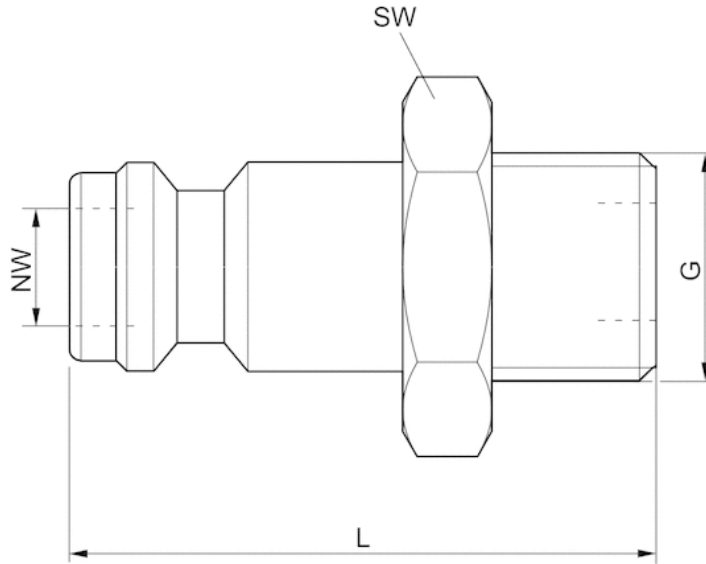
Coupling plugs are suitable for couplings with nominal widths NW 7.2, 7.4 and 7.8.

## Technical information

Material	
Housing	Steel, galvanized

## Dimensions

### Dimensions

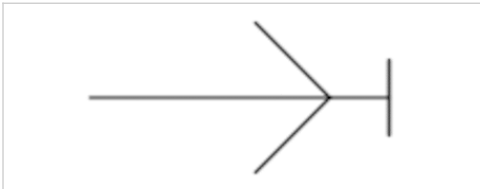


## Dimensions

Part No.	Port G	Nominal width NW	L	SW
1823351033	G 1/4	7.8 mm	33	17
1823351034	G 3/8	7.8 mm	33	19
1823351035	G 1/2	7.8 mm	35	24

# Coupling plug with internal thread

- Coupling plug
- NW 7.8 mm



Silicon  
 Working pressure min./max.  
 Ambient temperature min./max.  
 Medium temperature min./max.  
 Medium  
 Weight per piece

silicone-free  
 0 ... 16 bar  
 -10 ... 90 °C  
 -10 ... 90 °C  
 Compressed air  
 See table below  
 The delivered product may vary from that in the illustration.

## Technical data

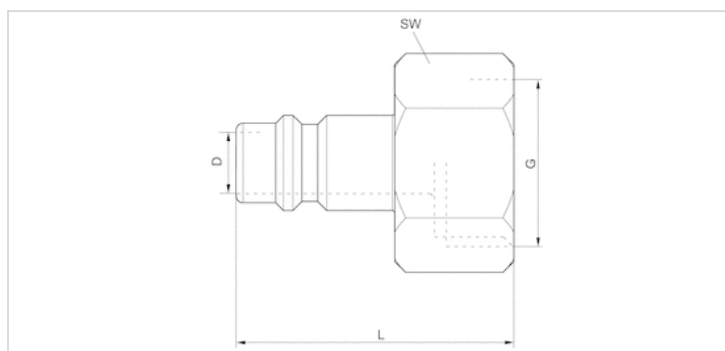
Part No.	Nominal width NW	Port G	Port D	Housing	Delivery unit	Weight	Fig.
1823373081	7.8 mm	G 1/4	NW 7,8	Steel galvanized	10 piece	0.024 kg	Fig. 2
1823373082	7.8 mm	G 3/8	NW 7,8	Steel galvanized	10 piece	0.024 kg	Fig. 2
1823373083	7.8 mm	G 1/2	NW 7,8	Steel galvanized	5 piece	0.034 kg	Fig. 2

Coupling plugs are suitable for couplings with nominal widths NW 7.2, 7.4 and 7.8.

## Technical information

Material	
Housing	Steel, galvanized

## Dimensions



## Dimensions

Part No.	Port G	Nominal width NW	L	SW
1823373081	G 1/4	7.8 mm	33	17
1823373082	G 3/8	7.8 mm	33	19
1823373083	G 1/2	7.8 mm	33	24

# Coupling plug with collar

- Coupling plug

- NW 7.8 mm



Working pressure min./max.

Ambient temperature min./max.

Medium temperature min./max.

Medium

Weight per piece

0 ... 16 bar

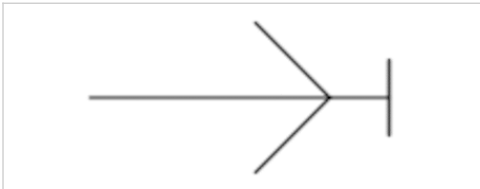
-10 ... 90 °C

-10 ... 90 °C

Compressed air

See table below

The delivered product may vary from that in the illustration.



## Technical data

Part No.	Nominal width NW	Port G	Port D	Housing	Delivery unit	Weight	Fig.
1823386085	7.8 mm	Ø 6	NW 7,8	Steel galvanized	10 piece	0.014 kg	Fig. 2
1823386086	7.8 mm	Ø 8	NW 7,8	Steel galvanized	10 piece	0.015 kg	Fig. 2
1823386087	7.8 mm	Ø 10	NW 7,8	Steel galvanized	10 piece	0.018 kg	Fig. 2
1823386088	7.8 mm	Ø 13	NW 7,8	Steel galvanized	10 piece	0.022 kg	Fig. 2

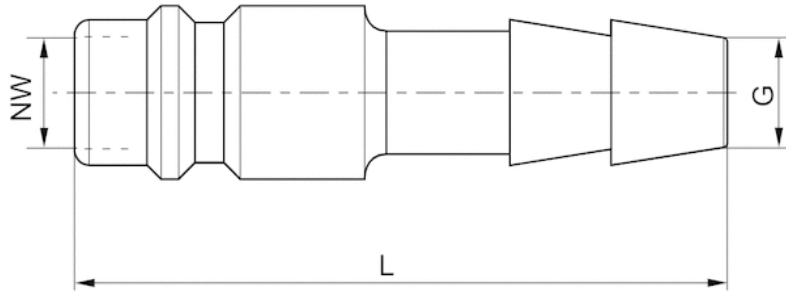
Coupling plugs are suitable for couplings with nominal widths NW 7.2, 7.4 and 7.8.

## Technical information

Material	
Housing	Steel, galvanized

## Dimensions

Fig. 2



## Dimensions

Part No.	Port G	Nominal width NW	L
1823386085	Ø 6	7.8 mm	45
1823386086	Ø 8	7.8 mm	45
1823386087	Ø 10	7.8 mm	45
1823386088	Ø 13	7.8 mm	45

# Efficient pneumatic solutions, our program: cylinders and drives, valves and valve systems, air supply management



Visit us: [Emerson.com/Aventics](http://Emerson.com/Aventics)

Your local contact: [Emerson.com/contactus](http://Emerson.com/contactus)



[Emerson.com](http://Emerson.com)



[Facebook.com/EmersonAutomationSolutions](https://Facebook.com/EmersonAutomationSolutions)



[LinkedIn.com/company/Emerson-Automation-Solutions](https://LinkedIn.com/company/Emerson-Automation-Solutions)



[Twitter.com/EMR\\_Automation](https://Twitter.com/EMR_Automation)

An example configuration is depicted on the title page. The delivered product may thus vary from that in the illustration. Subject to change. This Document, as well as the data, specifications and other information set forth in it, are the exclusive property of AVENTICS GmbH. It may not be reproduced or given to third parties without its consent. Only use the AVENTICS products shown in industrial applications. Read the product documentation completely and carefully before using the product. Observe the applicable regulations and laws of the respective country. When integrating the product into applications, note the system manufacturer's specifications for safe use of the product. The data specified only serve to describe the product. No statements concerning a certain condition or suitability for a certain application can be derived from our information. The information given does not release the user from the obligation of own judgment and verification. It must be remembered that the products are subject to a natural process of wear and aging.

The Emerson logo is a trademark and service mark of Emerson Electric Co. Brand logotype are registered trademarks of one of the Emerson family of companies. All other marks are the property of their respective owners. © 2017 Emerson Electric Co. All rights reserved.  
2019-03



## CONSIDER IT SOLVED™



青岛秉诚自动化设备有限公司  
地址：中国·青岛市重庆南路99号海尔云街甲3号楼7F

服务热线：4006-918-365  
网址：<http://www.asco.store>

传真：(86-532)585-10-365  
Email：[sales@bechinas.com](mailto:sales@bechinas.com)