

Features

- Mount directly to spring return actuators with NAMUR interface
- Same poppet valve performance as in standard 8320 valves
- Integral breather block prevents ingestion of contaminants or corrosives
- Variety of flow and pressure ratings
- Mountable in any position

Construction

| Valve Parts in Contact with Fluids | | |
|------------------------------------|-------------------------------|---------------------|
| Body | Brass | 303 Stainless Steel |
| Seals and Discs | NBR | |
| Core Tube | 305 Stainless Steel | |
| Core and Plugnut | 430F Stainless Steel | |
| Core Springs | 302 Stainless Steel | |
| Shading Coil | Copper | Silver |
| Disc-Holder | CA | |
| Core Guide | CA (10.1 and 17.1 watts only) | |

Electrical

| Standard Coil and Class of Insulation | Watt Rating and Power Consumption | | | | Spare Coil Part Number | | | |
|---------------------------------------|-----------------------------------|-------|------------|-----------|------------------------|--------|----------------|--------|
| | DC Watts | AC | | | General Purpose | | Explosionproof | |
| | | Watts | VA Holding | VA Inrush | AC | DC | AC | DC |
| F | 10.6 | 6.1 | 16 | 30 | 238210 | 238310 | 238214 | 238314 |
| F | 11.6 | 10.1 | 25 | 50 | 238610 | 238710 | 238614 | 238714 |
| F | 22.6 | 17.1 | 40 | 70 | 238610 | 238710 | 238614 | 238714 |

Standard Voltages: 24, 120, 240, 480 volts AC, 60 Hz (or 110, 220 volts AC, 50 Hz). 6, 12, 24, 120, 240 volts DC. Must be specified when ordering.
 Other voltages are available when required.

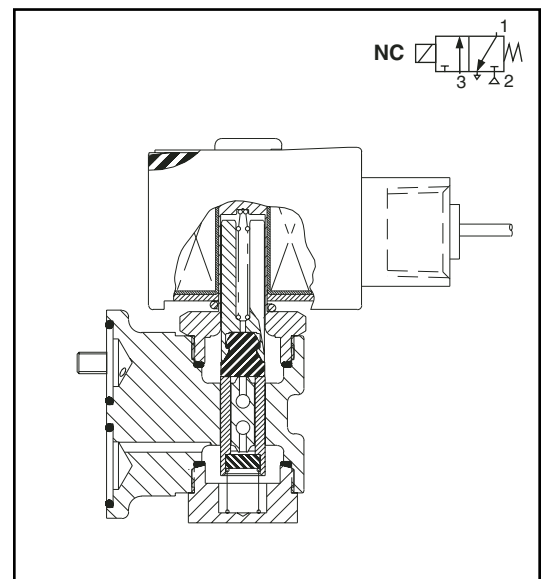
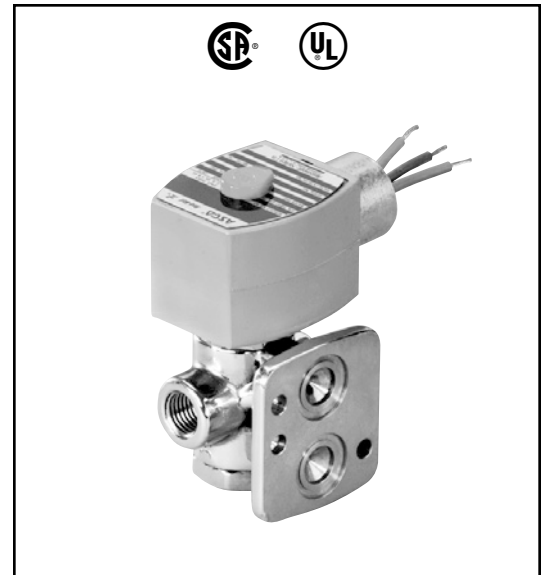
Special Construction: Dual solenoid construction for redundant controls and dribble control available. Consult your local ASCO sales office for details.

Solenoid Enclosures

Standard: Watertight, Types 1, 2, 3, 3S, 4, and 4X.

Optional: Explosionproof and Watertight, Types 3, 3S, 4, 4X, 6, 6P, 7, and 9. (To order, add prefix "EF" to catalog number.)

See *Optional Features Section* for other available options.



VALVE AUTOMATION

Nominal Ambient Temp. Ranges

AC: 0°F to 125°F (-18°C to 52°C)

DC: 0°F to 104°F (-18°C to 40°C)

When used at temperatures below 32°F (0°C), media must be moisture free. Also available: -40° construction. Please contact ASCO sales office for details.

Approvals

UL component and CSA certified.

SIL 3 capable per IEC 61508.

Third party certification provided by EXIDA.

Refer to *Engineering Section* for details.

Specifications (English units)

| Pipe Size (in) | Orifice Size (in) | Cv Flow Factor | Operating Pressure Differential (psi) | | Max. Fluid Temp. °F | | Brass Body Catalog Number | Stainless Steel Body Catalog Number | Const. Ref. | Watt Rating/Class of Coil Insulation | |
|--|-------------------|----------------|---------------------------------------|---------|---------------------|-----|---------------------------|-------------------------------------|-------------|--------------------------------------|--------|
| | | | Air-Inert Gas | | AC | DC | | | | AC | DC |
| | | | Max. AC | Max. DC | AC | DC | AC | DC | | | |
| NORMALLY CLOSED (Closed when de-energized) – PFD_{AVG} = 6.81 x 10⁻⁴ | | | | | | | | | | | |
| 1/4 | 1/16 | .09 | 150 | 125 | 180 | 120 | 8320G701 | 8320G711 | 1 | 6.1/F | 10.6/F |
| 1/4 | 3/32 | .12 | 100 | 100 | 180 | 120 | 8320G702 | 8320G712 | 1 | 6.1/F | 10.6/F |
| 1/4 | 1/16 | .09 | 210 | 160 | 180 | 120 | 8320G703 | 8320G713 ① | 2 | 17.1/F | 11.6/F |
| 1/4 | 3/32 | .12 | 150 | 150 | 180 | 120 | 8320G704 | 8320G714 ① | 2 | 10.1/F | 22.6/F |
| 1/4 | 1/8 | .21 | 100 | - | 180 | - | 8320G705 | 8320G715 ① | 2 | 17.1/F | - |

① Standard ambient temperature rating of -40°F.

Specifications (Metric units)

| Pipe Size (in) | Orifice Size (mm) | Kv Flow Factor (m³/h) | Operating Pressure Differential (bar) | | Max. Fluid Temp. °C | | Brass Body Catalog Number | Stainless Steel Body Catalog Number | Const. Ref. | Watt Rating/Class of Coil Insulation | |
|--|-------------------|-----------------------|---------------------------------------|---------|---------------------|----|---------------------------|-------------------------------------|-------------|--------------------------------------|--------|
| | | | Air-Inert Gas | | AC | DC | | | | AC | DC |
| | | | Max. AC | Max. DC | AC | DC | AC | DC | | | |
| NORMALLY CLOSED (Closed when de-energized) – PFD_{AVG} = 6.81 x 10⁻⁴ | | | | | | | | | | | |
| 1/4 | 2 | .08 | 10 | 9 | 81 | 48 | 8320G701 | 8320G711 | 1 | 6.1/F | 10.6/F |
| 1/4 | 2 | .10 | 7 | 7 | 81 | 48 | 8320G702 | 8320G712 | 1 | 6.1/F | 10.6/F |
| 1/4 | 2 | .08 | 14 | 11 | 81 | 48 | 8320G703 | 8320G713 ① | 2 | 17.1/F | 11.6/F |
| 1/4 | 2 | .10 | 10 | 10 | 81 | 48 | 8320G704 | 8320G714 ① | 2 | 10.1/F | 22.6/F |
| 1/4 | 3 | .18 | 7 | - | 81 | - | 8320G705 | 8320G715 ① | 2 | 17.1/F | - |

① Standard ambient temperature rating of -40°C.

Dimensions inches (mm)

