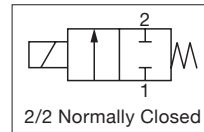


ASCO™ MINIATURE SOLENOID VALVES

GENERAL SERVICE VALVE, COMPACT 2-WAY SOLENOID

- Direct acting solenoid valve for use with air and inert gases
- Manifold mount construction that is suitable for a wide variety of gas application
- Exceptionally long service lifetime ensures maximum reliability
- High-flow design is ideal for quickly inflating / deflating therapeutic air bladders in support surface applications
- Typical applications include
 - Hospital Beds
 - Therapeutic Support Surfaces
 - Endoscopy Drying Systems
 - Deep Vein Thrombosis (DVT)



Fluids*	Temperature Range	Seal Materials*
Air, inert gases	0°C to 55°C (32°F to 131°F)	NBR

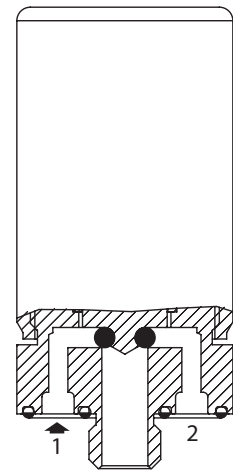
* Ensure that the compatibility of the materials in contact with the fluids is verified.

General Valve Information	
Body	Stainless Steel

Electrical Characteristics	
Coil Insulation Class	B
Duty Cycle	Intermittent, must use spike and hold noted below
Spike and Hold	Spike at nominal voltage for 500 - 5000 ms max. Hold at 50% of nominal voltage.
Connector	Lead Wires
Connector Specification	28 AWG PVC Insulated
Electrical Enclosure Protection	IP40
Standard Voltages*	12 VDC

* Other voltages on request.

Electrical Connection	Power Ratings		Ambient Temperature Range
	Inrush	Holding	
	W	W	°C (°F)
Lead Wires	7.6	1.9	0 to 55 (32 to 131)

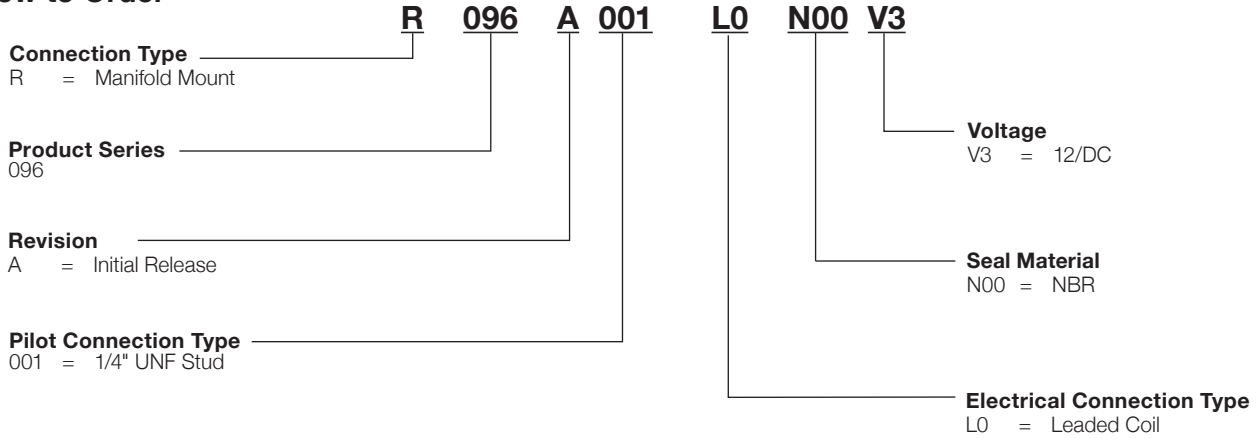


2/2 Normally Closed

Specifications								
Connection	Orifice Size	Flow Coefficient		Operating Pressure bar (psi)		Power Rating (W)		Catalog Number
	mm (inches)	Kv (m ³ /h)	Cv	min.	max.	Inrush	Hold	
2/2 NC - Normally Closed								
1/4-28 UNF Stud Manifold Mount	4.0 (0.16)	2.621	0.387	0 bar (0 psi)	0.34 bar (5 psi)	7.6	1.9	R096A001L0N00V3

01082GB-2019-F01

How to Order



Dimensions: mm (inches)

