

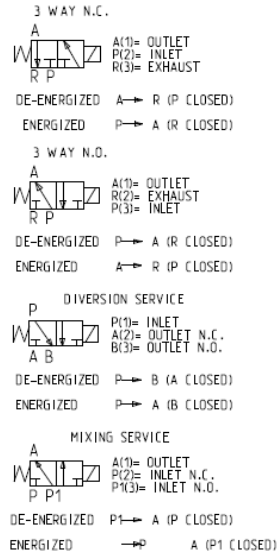
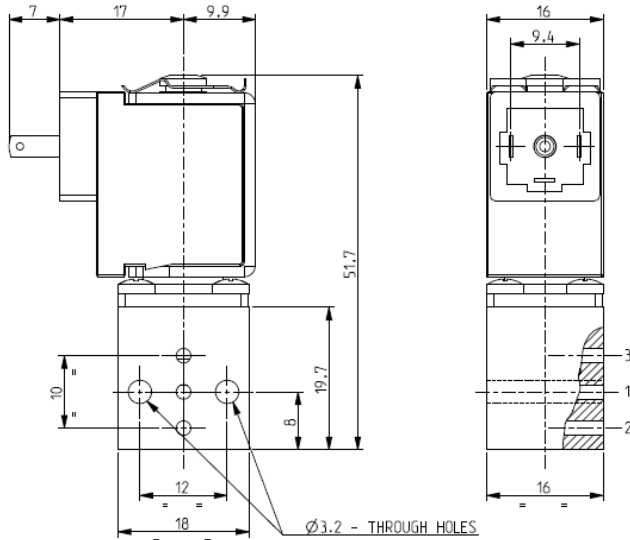


# MICRO SOLENOID VALVE

## 3/2 - NC - NO - US (Universal service)

Direct acting  
Sub-base mounting

# V367



### ► GENERAL FEATURES

Direct acting micro solenoid valve suitable for mounting on a sub-base or directly on the equipment.  
Minimum overall dimensions, quick response time and high number of cycles.  
Seal gasket for coupling supplied with the valve.  
Suitable to shut off liquid and gaseous fluids (verify the compatibility of fluid with materials in contact).

### ► TECHNICAL FEATURES

Maximum allowable pressure (PS) 16 bar  
Opening time from ~ 5ms to ~ 10ms  
Closing time from ~ 5ms to ~ 10ms  
Fluid temperature -10°C +90°C  
Max viscosity 3°E (22 cStokes or mm<sup>2</sup>/s)

### ► MATERIALS IN CONTACT WITH FLUID

Body Brass  
Sealing NBR  
Internal components Brass, PEI (Polyetherimide) and stainless steel  
Seat Brass  
Core tube Brass

### ► COIL

Continuous duty ED 100%  
Encapsulation material PA (Polyamide) fiberglass reinforced  
Insulation class F (155°C)  
Ambient temperature -10°C +60°C  
Electric connections DIN 46340 with micro plug connector  
Protection degree IP 65 (EN 60529) with micro plug connector  
Voltages DC 12-24V (+10% -5%)  
(Other voltages on request)

Port size	Orifice size (mm)	Differential pressure (bar)				Kv (m <sup>3</sup> /h)	Series and type		Power absorption			Sealings	Function Notes	Weight (kg)
		Δp min	Δp max		Valve		Coil	AC (VA)		DC (W)				
			Gases	Liquids				Inrush	Holding					
AC	DC	AC	DC											
-	1,2	0	-	6	6	0,04	V367B02C	ZE30C	-	-	2,5	NBR	NC	0,090
				8	8		V367B01C	ZE30A			4			
				6	6		V367B01A	ZE30C			2,5			
				8	8			4						
				6	6		V367B01G	ZE30A			4			

### ► NOTES

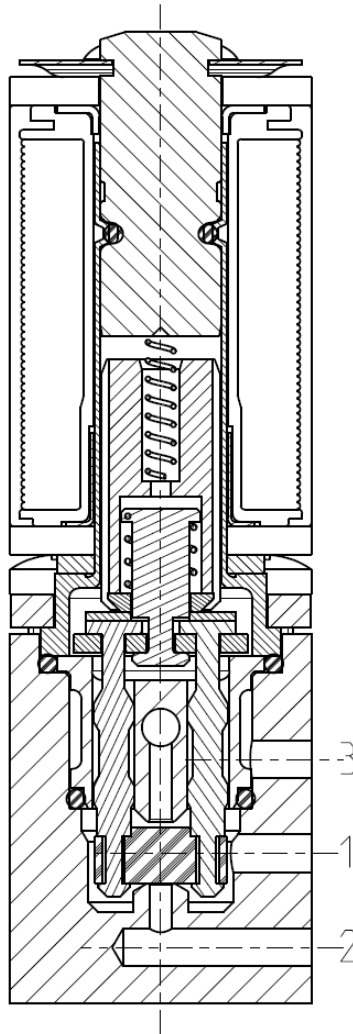
- These micro-solenoid valves are not suitable for stagnating media subject to vaporization which deposit solid, calcareous, incrusting residues or similar.  
- Sealings: NBR = Nitrile-butylene elastomer.  
1 - Model available on request only: ask for minimum quantity.

1410/1704



# V367

## ► SECTIONAL VIEW



## ► INSTALLATION

- Solenoid valve can be mounted in any position; vertical with coil upwards preferred.

THE VALIDITY OF REPORTED DATA IS REFERRED TO THE DATE OF ISSUE. POSSIBLE UPDATES ARE AVAILABLE ON REQUEST.