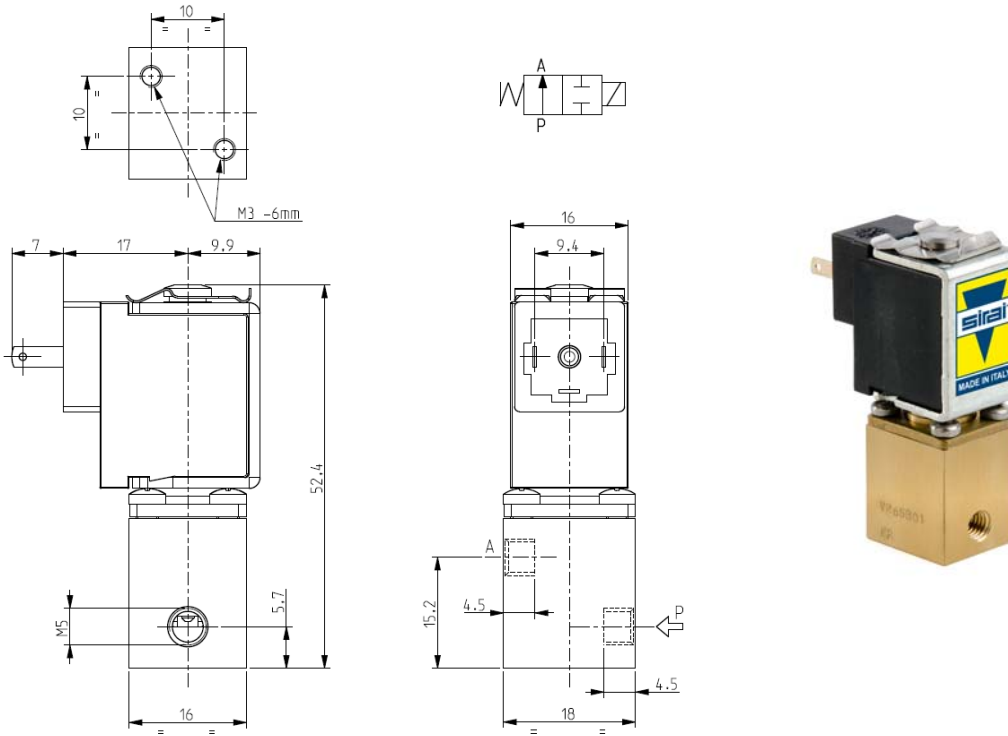




MICRO SOLENOID VALVE
2/2 - NO (Normally open)
Direct acting
M5

V265



► **GENERAL FEATURES**

Direct acting micro solenoid valve; minimum overall dimensions.
 Quick response time and high number of cycles.
 Suitable to shut off liquid and gaseous fluids (verify the compatibility of fluid with materials in contact).

► **TECHNICAL FEATURES**

Maximum allowable pressure (PS) 16 bar
Opening time from ~5ms to ~10ms
Closing time from ~5ms to ~10ms
Fluid temperature -10°C +90°C
Max viscosity 3°E (~22 cStokes or mm²/s)

► **MATERIALS IN CONTACT WITH FLUID**

Body Brass
Sealing NBR
Internal components Brass, PEI (Polyetherimide) and stainless steel
Seat PEI
Core tube Brass

► **COIL**

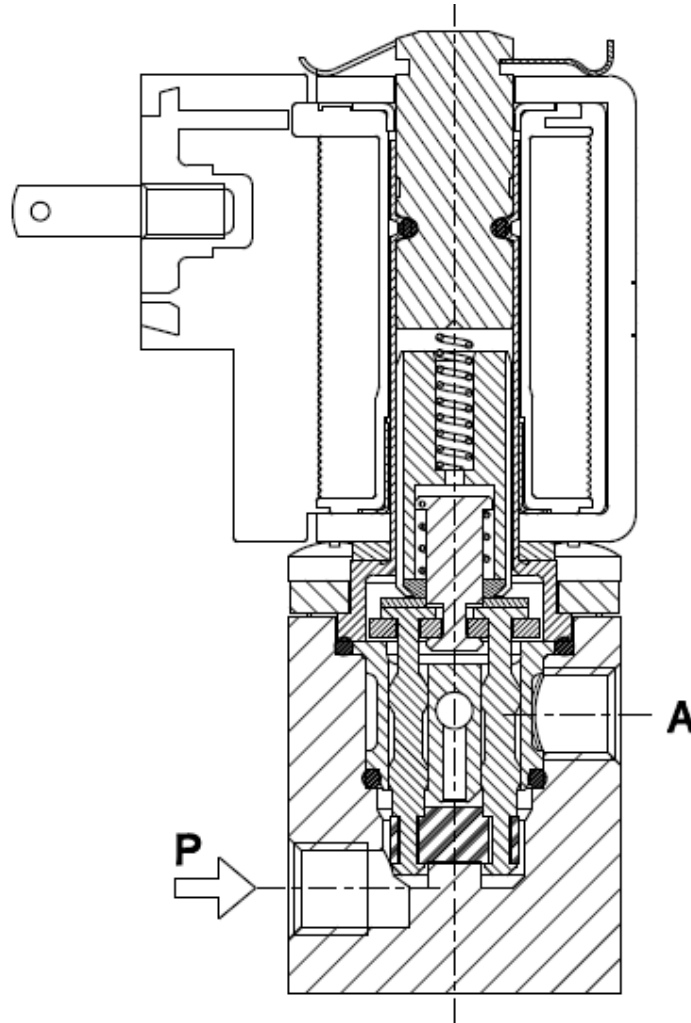
Continuous duty ED 100%
Encapsulation material PA (Polyamide) fiberglass reinforced
Coil insulation class F (155°C)
Ambient temperature -10°C +60°C
Electric connections DIN 46340
Protection degree IP 65 (EN 60529) with micro plug connector
Voltages DC 12-24V (+10% -5%)
 (Other voltages on request)

Port size ISO-UNI 4534	Orifice size (mm)	Differential pressure (bar)				Kv (m ³ /h)	Series and type		Power absorption			Sealings	Notes	Weight (kg)	
		Δp min	Δp max				Valve	Coil	AC. (VA)		DC. (W)				
			Gases		Liquids				Inrush	Holding					
			AC	DC	AC										DC
M5	1	0	-	10	-	10	0,04	V265B01	ZE30A	-	-	4	NBR	1	
	2		-	3,5	-	3,5								0,10	-

► **NOTES**

- These micro-solenoid valves are not suitable for stagnating media subject to vaporization which deposit solid, calcareous, incrusting residues or similar.
- Seal: NBR = Nitrile butylene elastomer
- 1 - Model available on request only: ask for minimum quantity.

► SPARE PARTS



► MOUNTING

Solenoid valve can be mounted in any position; vertical with coil upwards preferred.

THE VALIDITY OF REPORTED DATA IS REFERRED TO THE DATE OF ISSUE. POSSIBLE UPDATES ARE AVAILABLE ON REQUEST.